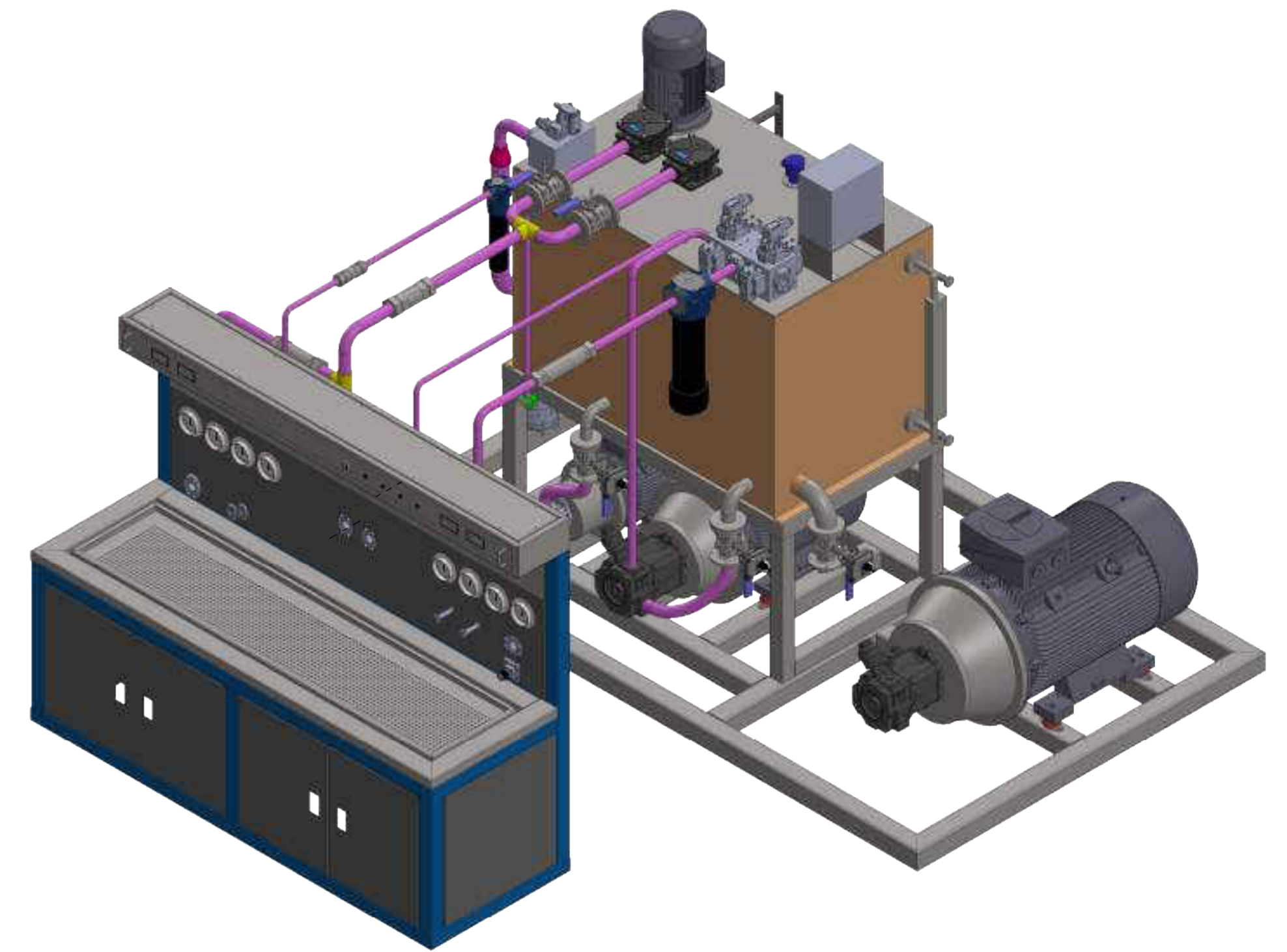
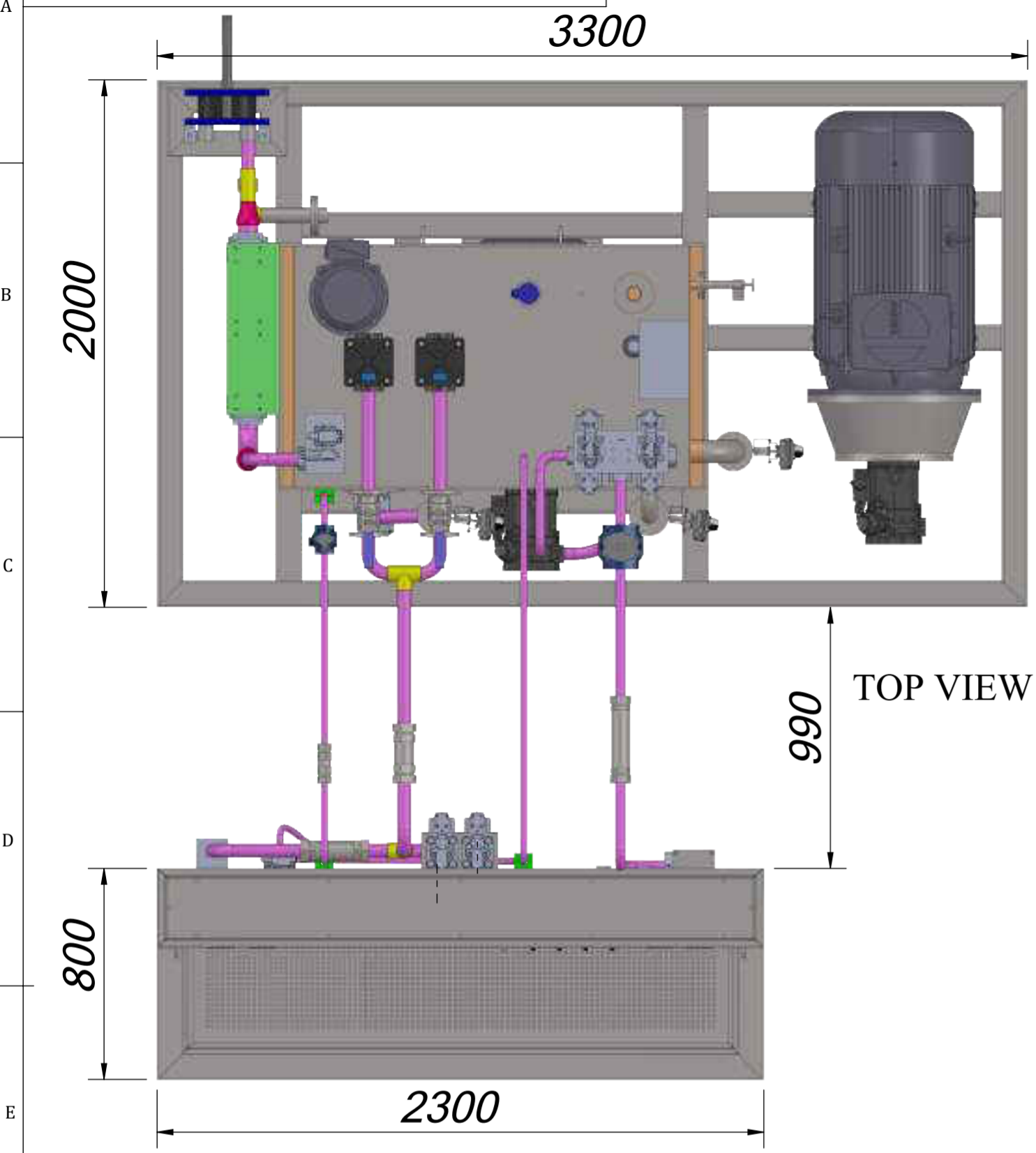
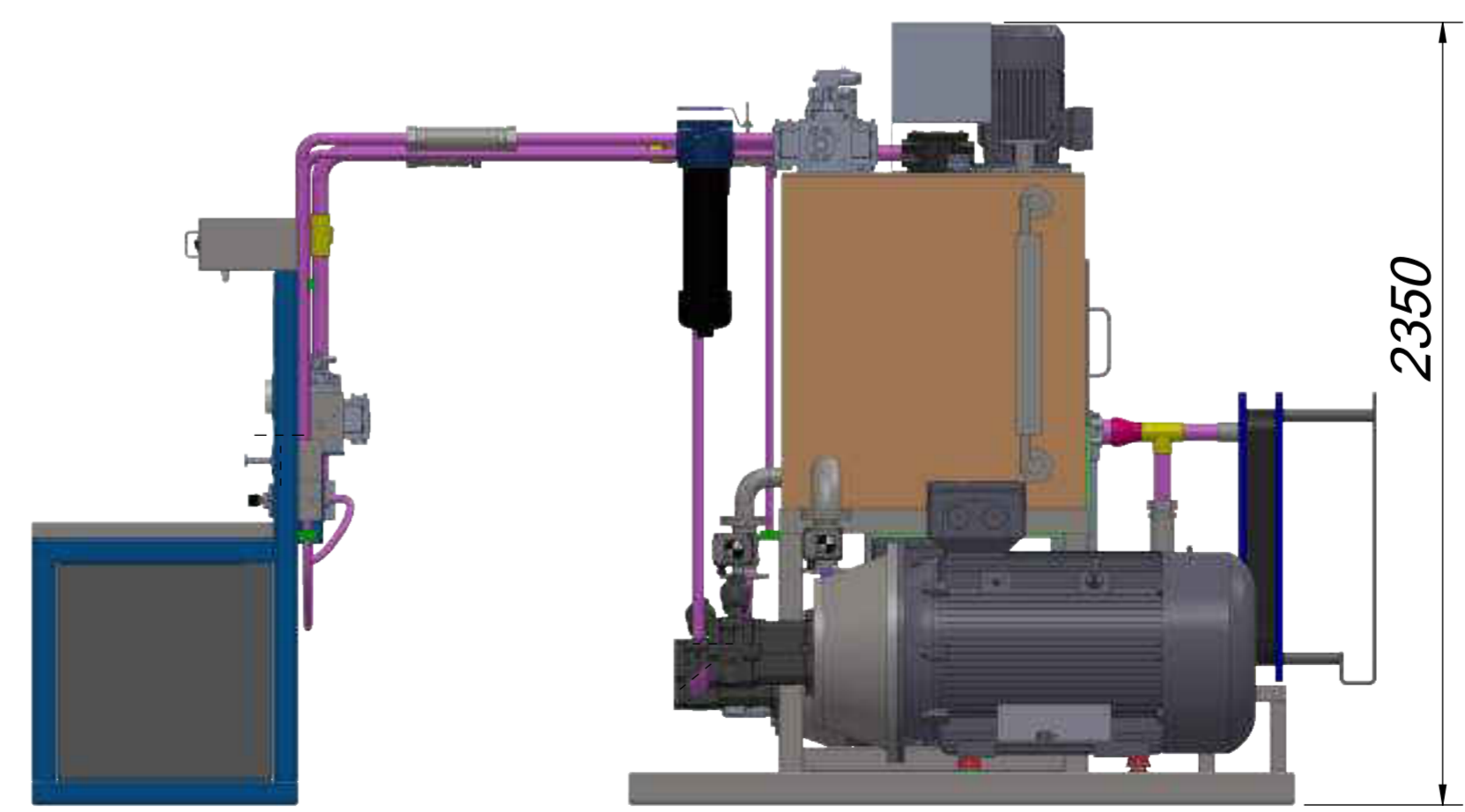
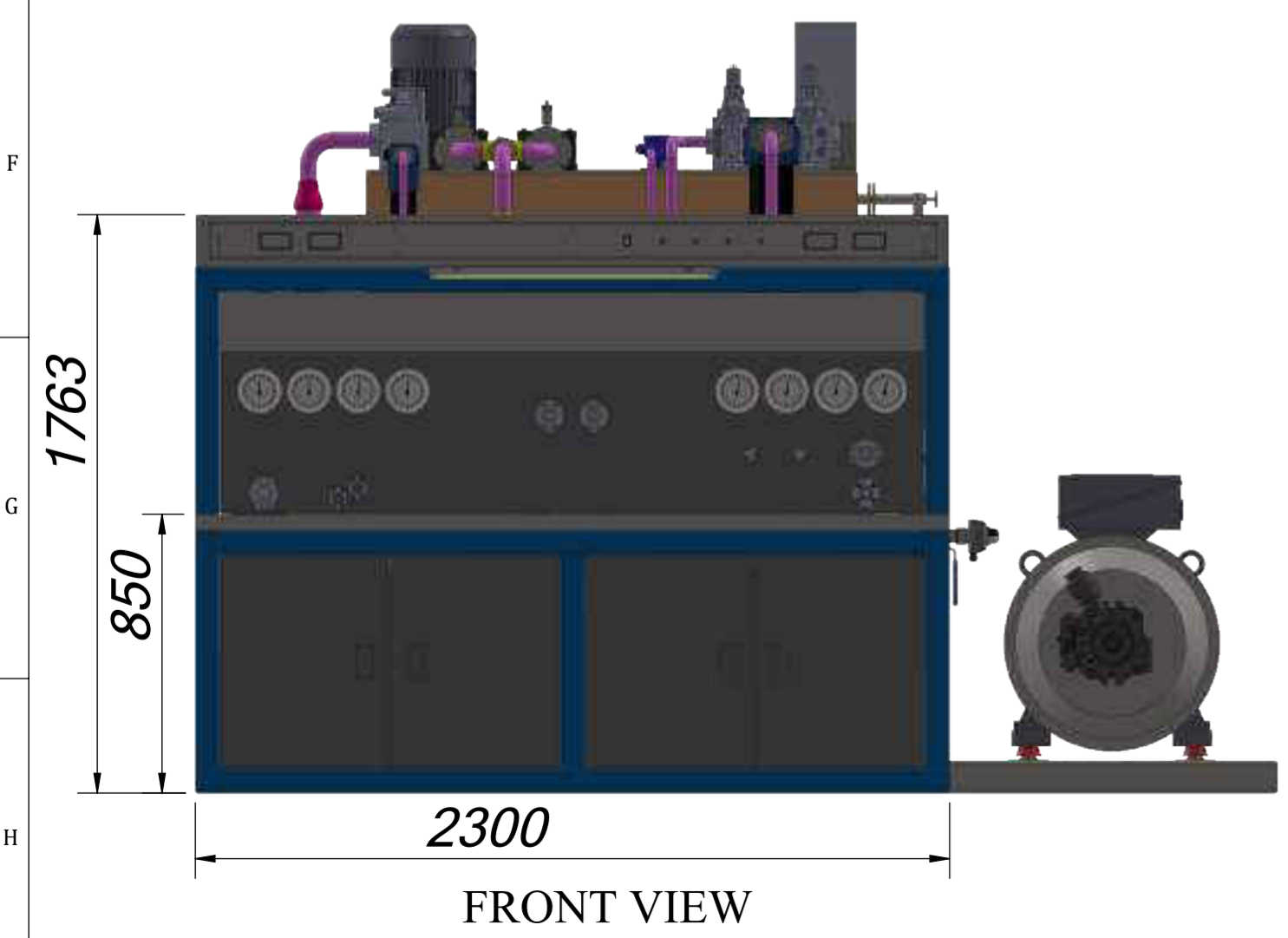


THIS DWG. IS SOLE PROPERTY OF NEOMETRIX ENGINEERING PVT. LTD. UNAUTHORISED USE OF THIS DWG. OR MAKING PRODUCT AS PER THIS DWG. WITHOUT OUR PERMISSION OR ANY OTHER MISUSE IS NOT PERMITTED.



ISOMETRIC VIEW



SIDE VIEW

NOTE:-  
1. ALL DIMENSIONS ARE IN MM.

										NEOMETRIX ENGINEERING PVT LTD E-148, SECTOR 63, NOIDA, UP-201301 Tel No.: 0120 4500800 Fax No.: 0120 4500888 E-mail: contact@neometrixgroup.com Design Dept.: design@neometrixgroup.com									
										TITLE		HYD. TEST LAB		QA No.		Cross Ref Doc No.:			
SUB-TITLE		GA DRAWING		SRS CODE		A3589		Customer Dwg Ref No.											
CUSTOMER		--		END USER		--		NOTE :											
TD/PO. No.		--		DATED															
PROJECTION		DRWN		M.F		14/10/2024		SIZE											
CHK.		S.N		14/10/2024		A3		SCALE											
APPR.		S.P.S		14/10/2024		NTS		SHEET No OF											
								NEO DWG No.											
								T-PED-A3589-GADWG-HTL											
								REV											
								00											