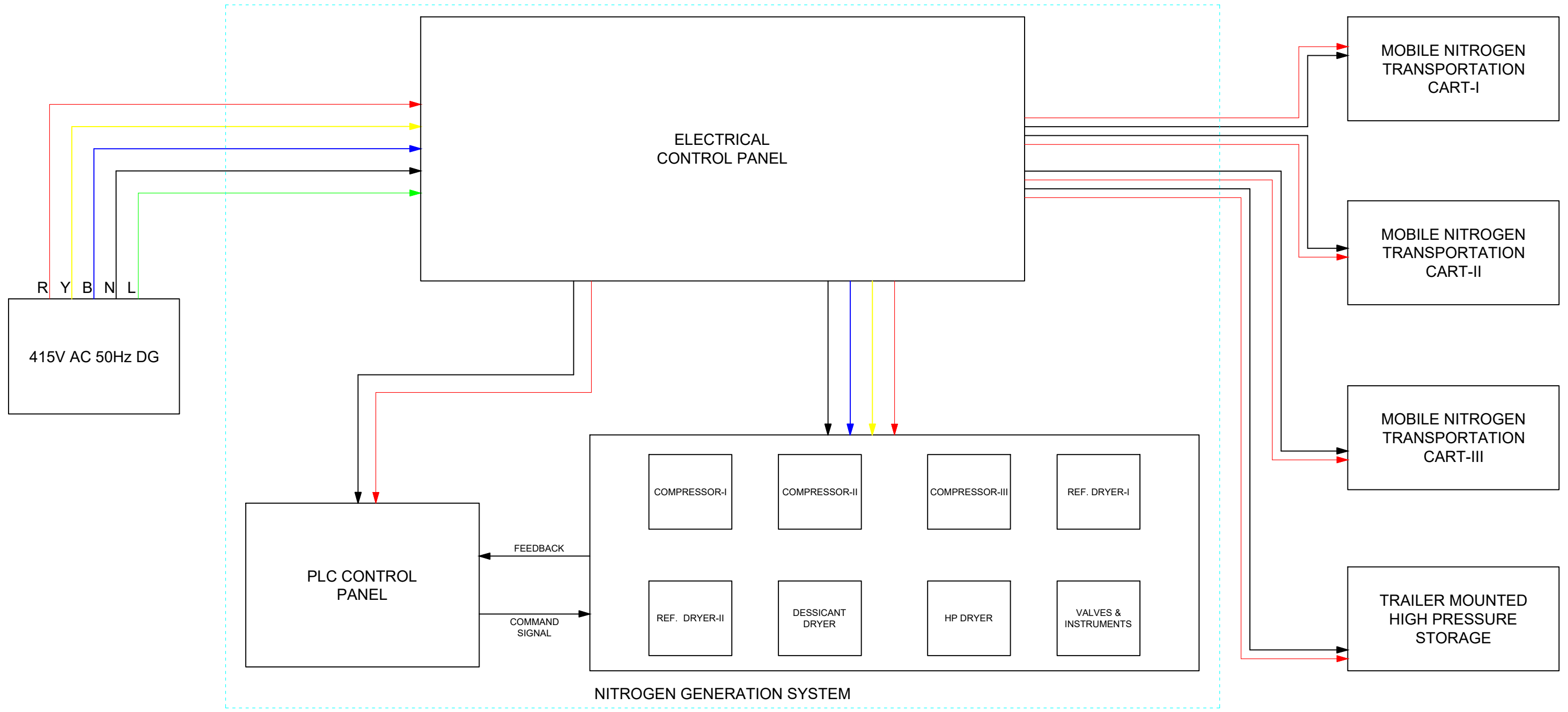


THIS DWG. IS SOLE PROPERTY OF NEOMETRIX ENGINEERING PVT. LTD. UNAUTHORISED USE OF THIS DWG. OR MAKING PRODUCT AS PER THIS DWG. WITHOUT OUR PERMISSION OR ANY OTHER MISUSE IS NOT PERMITTED.



BLOCK DIAGRAM

NOTE: This is tentative drawing subjected to change.

NEOMETRIX		NEOMETRIX ENGINEERING PVT. LTD. E-148, Sector-63, Noida, UP-201301 Tel. No. :- 0120-4500800 Fax No. :- 0120-4500888 Email :- contact@neometrixgroup.com	
MAIN TITLE	NITROGEN GENERATION STORAGE & DISTRIBUTION SYSTEM (UGSSN2)	QA No.	
SUB - TITLE	BLOCK DIAGRAM	Cross Ref. Doc. No.	
CODE	A2700	Customer Dwg./Ref. No.	
BUYER	DIRECTORATE OF PROCUREMENT, AIR HEAD (VAYU BHAWAN) NEW DELHI	Note	:
END - USER	INDIAN AIR FORCE (IAF)		
PO. NO.	AIR HQ/DPUR/1/2025027/CONTRACT-5527, DATED- 21-OCT-2022		
PROJECTION	DRAWN BY & DATE A.K. 08/12/2022	Size	Scale
	CHECKED BY & DATE D.K. 08/12/2022	A4	NTS
	APPROVED BY & DATE SPS 08/12/2022	Sheet No. of	NEO. DWG. No.
		01/01	T-DAP-A2700-BLOCK DIAGRAM
			REV 00