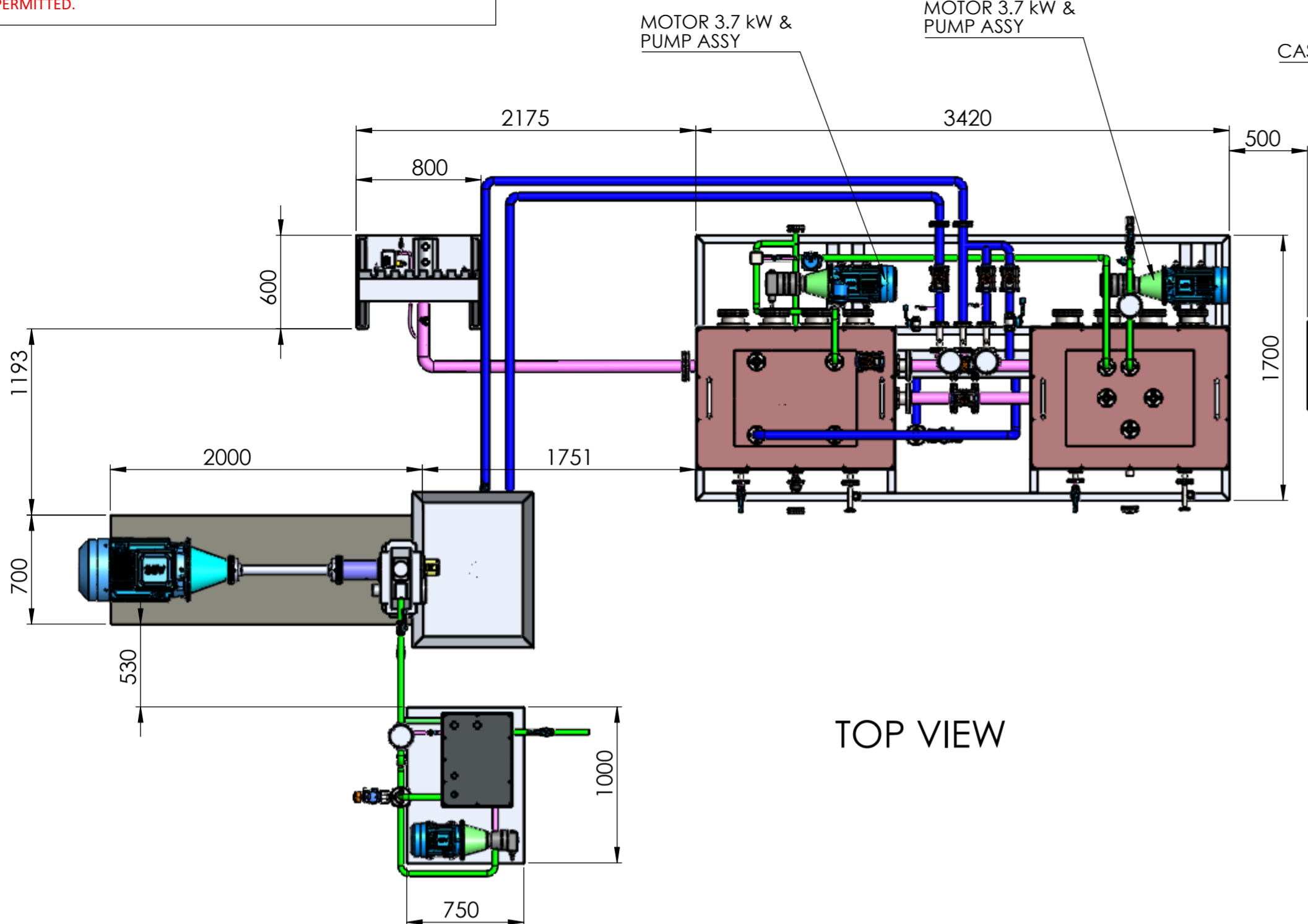
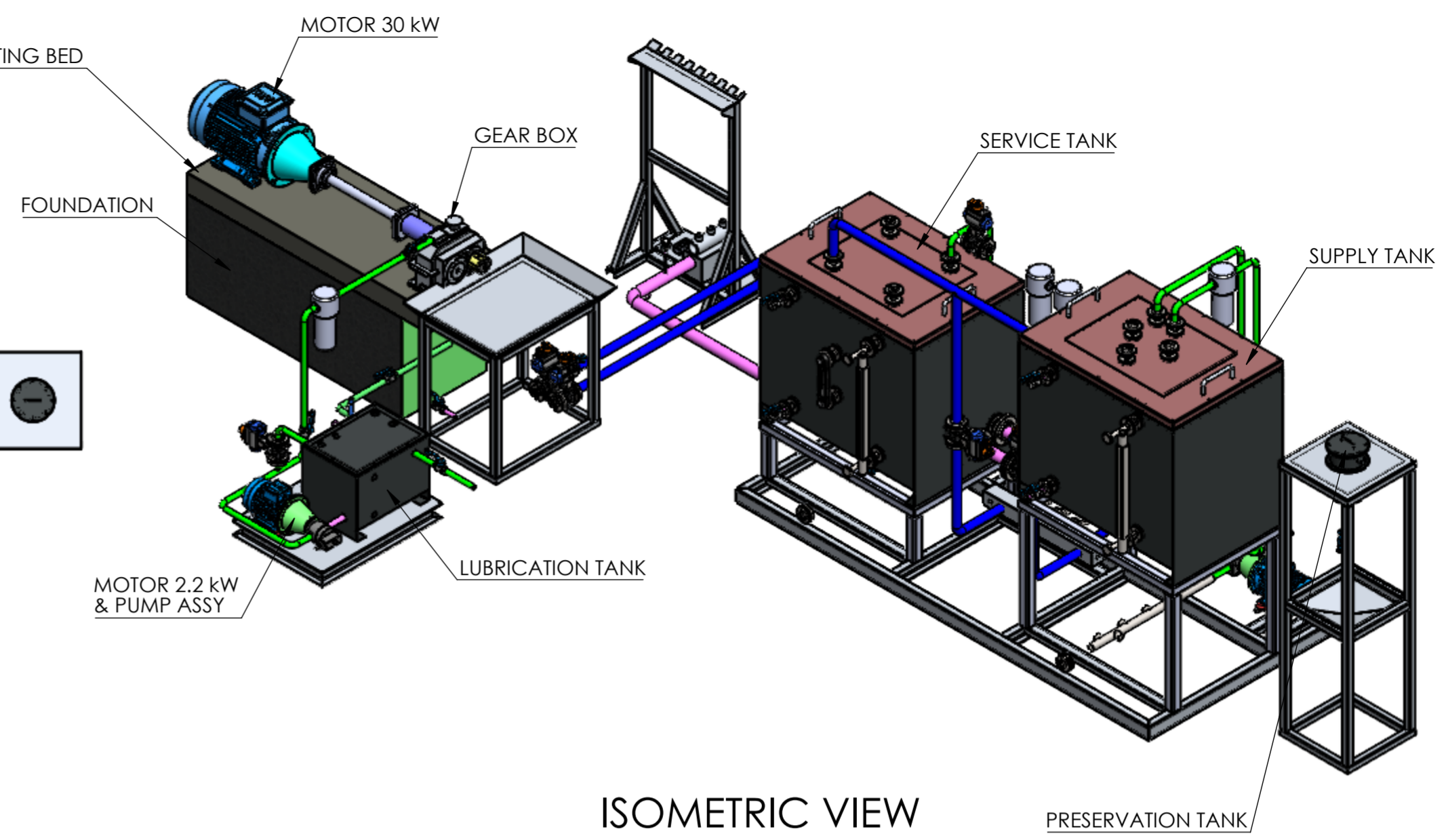


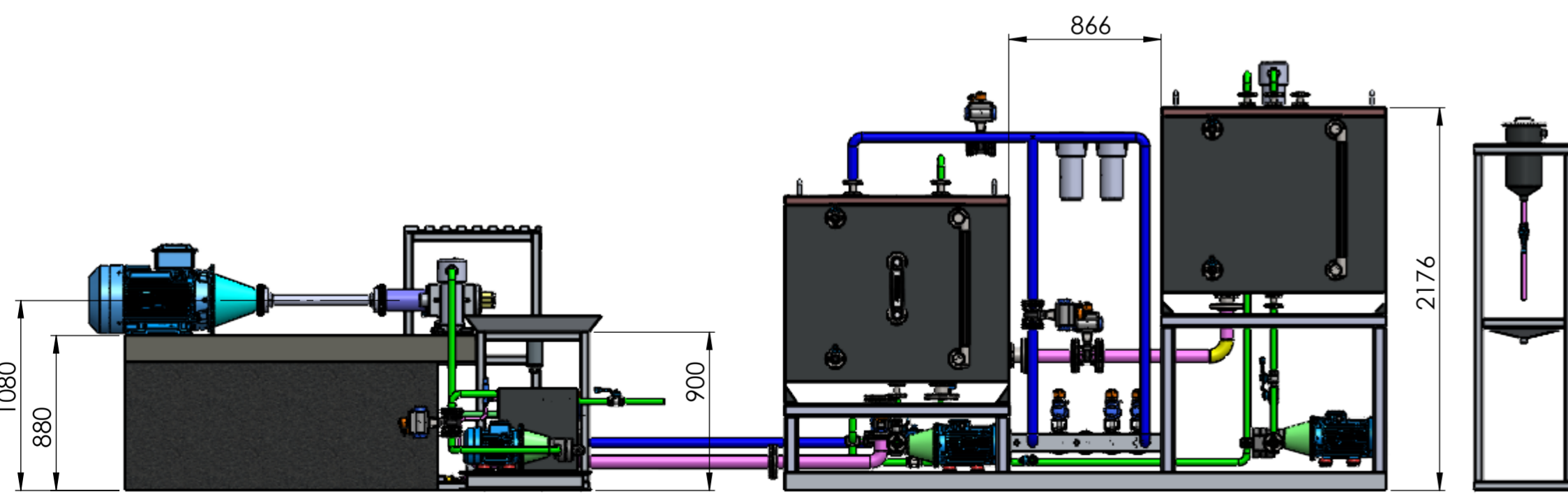
THIS DWG. IS SOLE PROPERTY OF NEOMETRIX ENGINEERING PVT. LTD. UNAUTHORISED USE OF THIS DWG. OR MAKING PRODUCT AS PER THIS DWG. WITHOUT OUR PERMISSION OR ANY OTHER MISUSE IS NOT PERMITTED.



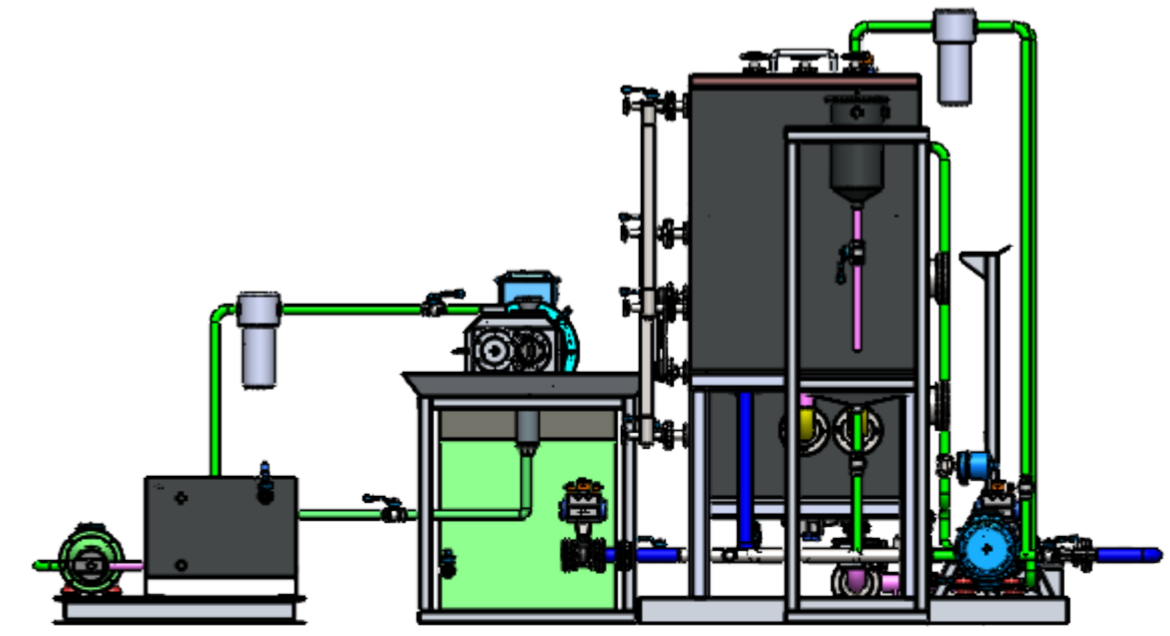
TOP VIEW



ISOMETRIC VIEW



FRONT VIEW



SIDE VIEW

**GA DRAWING**

										NEOMETRIX ENGINEERING PVT LTD E-148, SECTOR 63, NOIDA, UP-201301 Tel No.: 0120 4500800 Fax No.: 0120 4500888 E-mail: contact@neometrixgroup.com Design Dept.: design@neometrixgroup.com	
TITLE		PUMP & CENTRIFUGAL TEST RIG								QA No.	
SUB-TITLE		GA DRAWING								Cross Ref Doc No.:	
SRS CODE		A3923								Customer Dwg Ref No.	
CUSTOMER		--								NOTE :	
END USER		--									
TD/PO. No.		--								DATED	
PROJECTION	DRWN	M.F	29/01/2023	SIZE	SCALE	SHEET	No	OF	NEO DWG No.	REV	
	CHK.	P.K.	29/01/2023	A3	NFS	01	01		T-PED-A3923-GA DRAWING	00	
	APPR.	S.S.	29/01/2023								