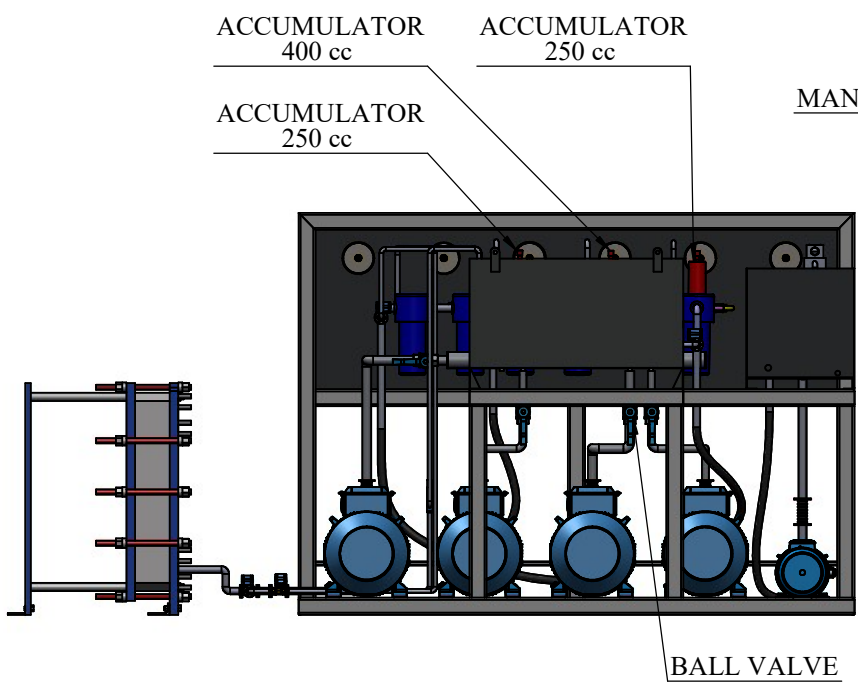
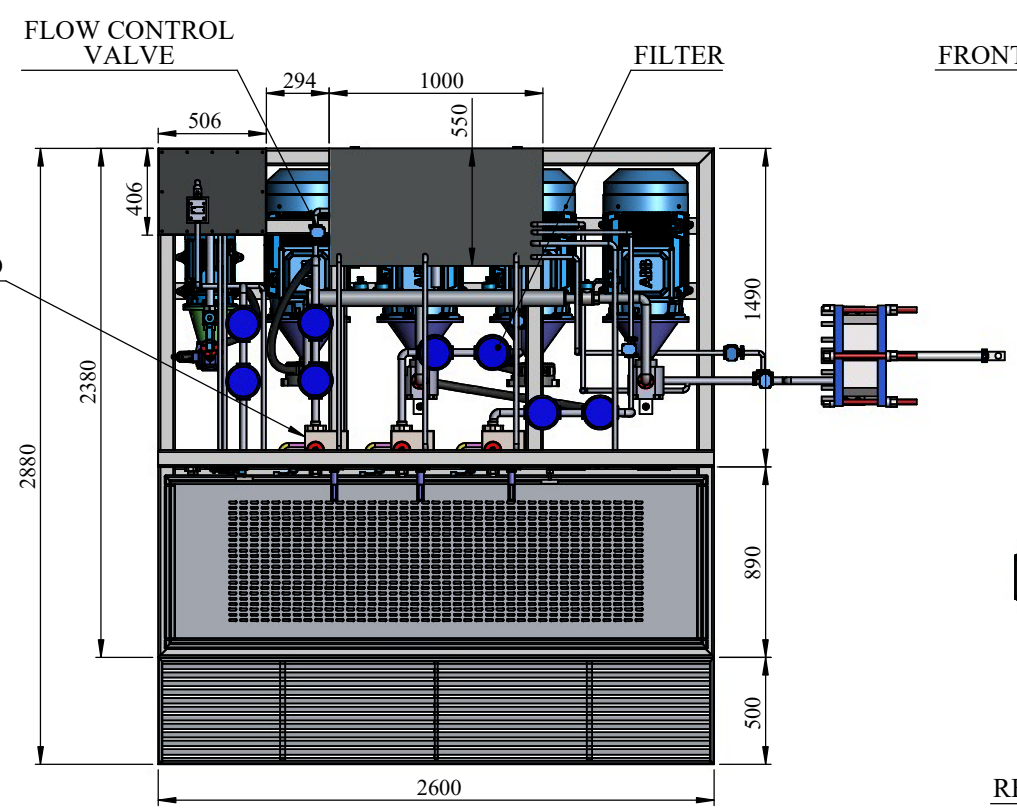


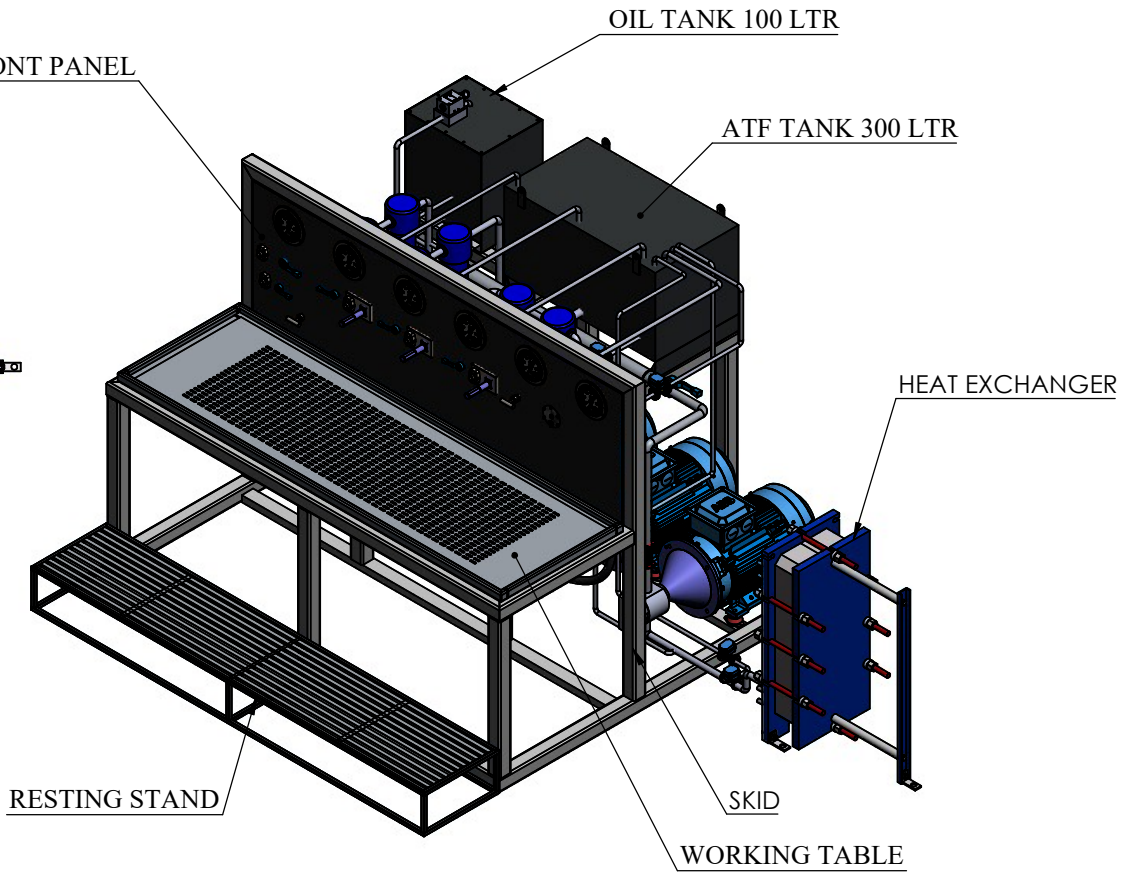
THIS DWG. IS SOLE PROPERTY OF NEOMETRIX ENGINEERING PVT. LTD. UNAUTHORISED USE OF THIS DWG. OR MAKING PRODUCT AS PER THIS DWG. WITHOUT OUR PERMISSION OR ANY OTHER MISUSE IS NOT PERMITTED.



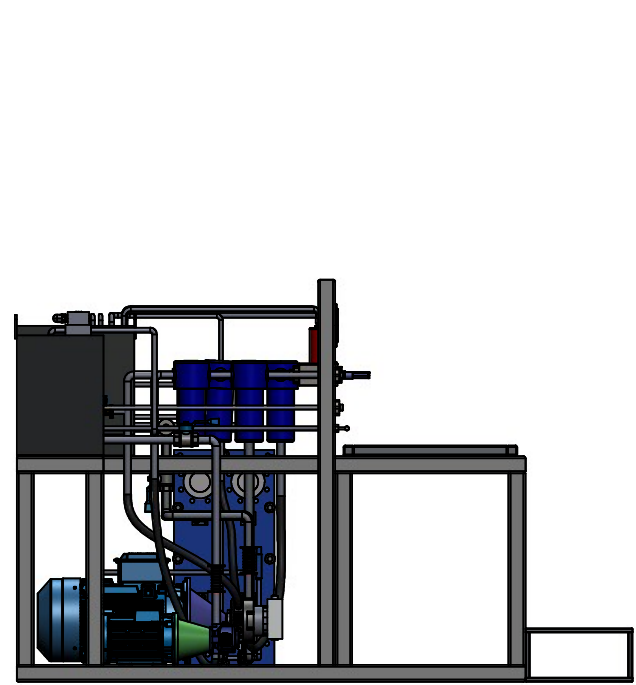
BACK VIEW



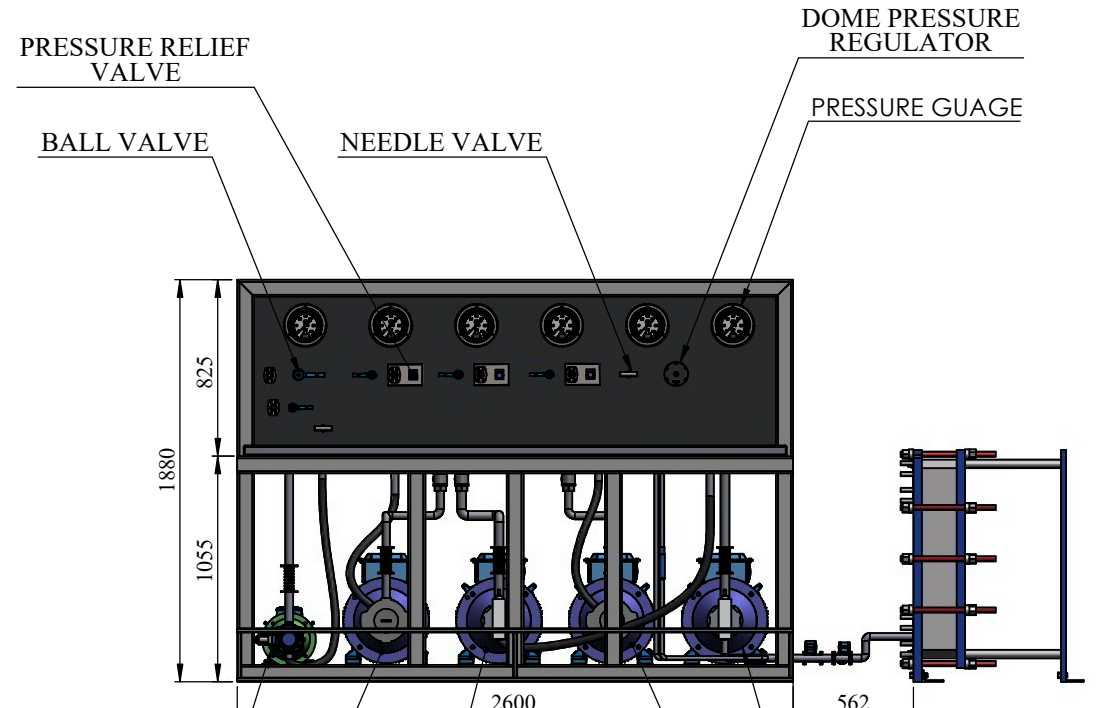
TOP VIEW



ISOMETRIC VIEW

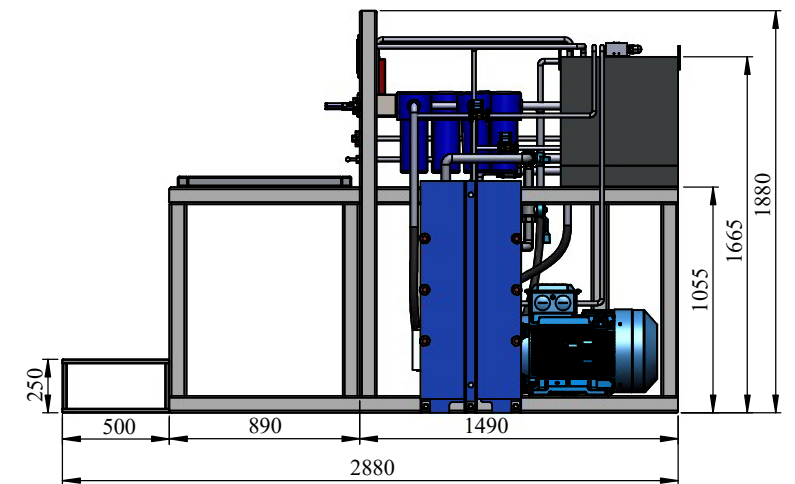


LEFT SIDE VIEW



FRONT VIEW

FLAME PROOF MOTOR- 3.7 kW & VANE PUMP- 50 BAR, 30 LPM
FLAME PROOF MOTOR- 9.3 kW & RADIAL PISTON PUMP- 250 BAR, 15 LPM
FLAME PROOF MOTOR- 9.3 kW & GEAR PUMP- 120 BAR, 30 LPM
FLAME PROOF MOTOR- 9.3 kW & RADIAL PISTON PUMP- 250 BAR, 15 LPM
FLAME PROOF MOTOR- 9.3 kW & GEAR PUMP- 120 BAR, 30 LPM
FLAME PROOF MOTOR- 9.3 kW & RADIAL PISTON PUMP- 250 BAR, 15 LPM



RIGHT SIDE VIEW

NOTE:-
1. ALL DIMENSIONS ARE IN mm.
2. THIS IS TENTATIVE DRAWING, SUBJECTED TO CHANGE.

NEOMETRIX						NEOMETRIX ENGINEERING PVT LTD E-148, SECTOR 63, NOIDA, UP-201301 Tel No.: 0120 4500800 Fax No.: 0120 4500888 E-mail: contact@neometrixgroup.com Design Dept.: design@neometrixgroup.com			
TITLE	TEST EQUIPMENT FOR AUPN96BT1/AYNP-59					QA No.			
SUB-TITLE	GA DWG					Cross Ref Doc No.:			
SRS CODE	A4652					Customer Dwg Ref No.			
CUSTOMER	HAL KPT					NOTE:			
END USER	---								
TD/PO. No.	---					DATED			
PROJECTION	DRWN	ALOK	19/01/2024	SIZE	SCALE	SHEET	NEO DWG No.		REV
①	CHK.	V.K.	19/01/2024	A3	NTS	No. 01	T-DAP-GADWG-A4652		00
	APPR.	S.P.S.	19/01/2024			Of 01			