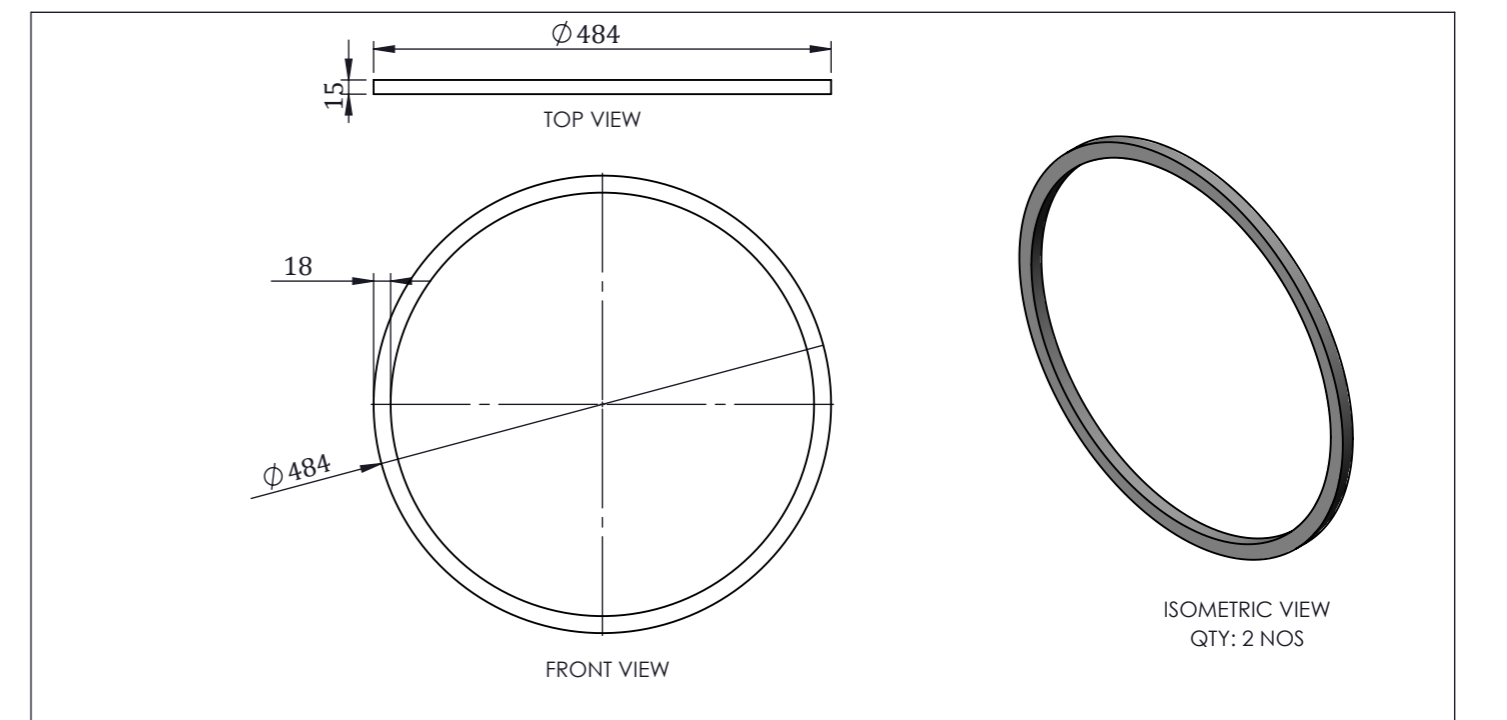
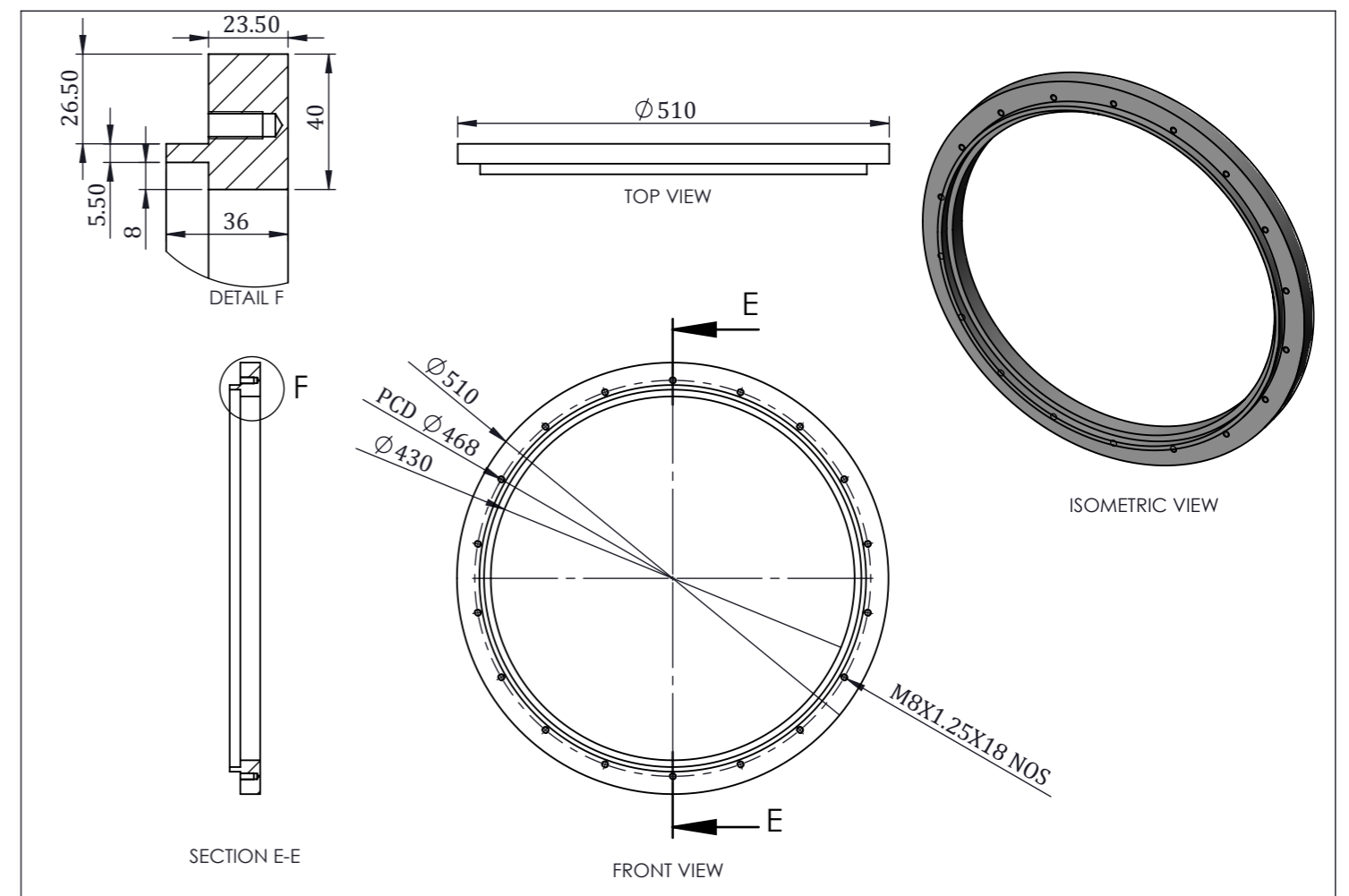
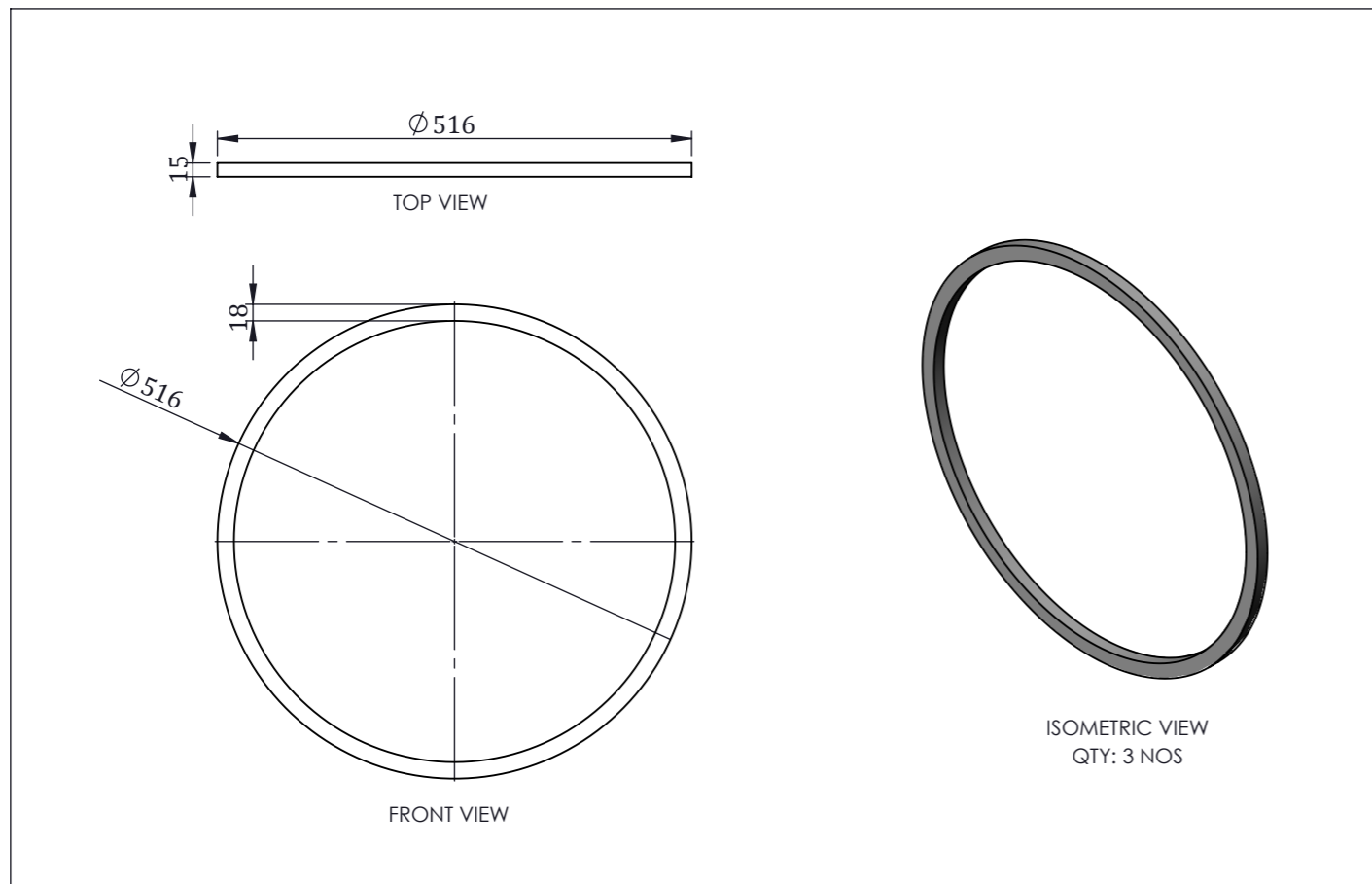
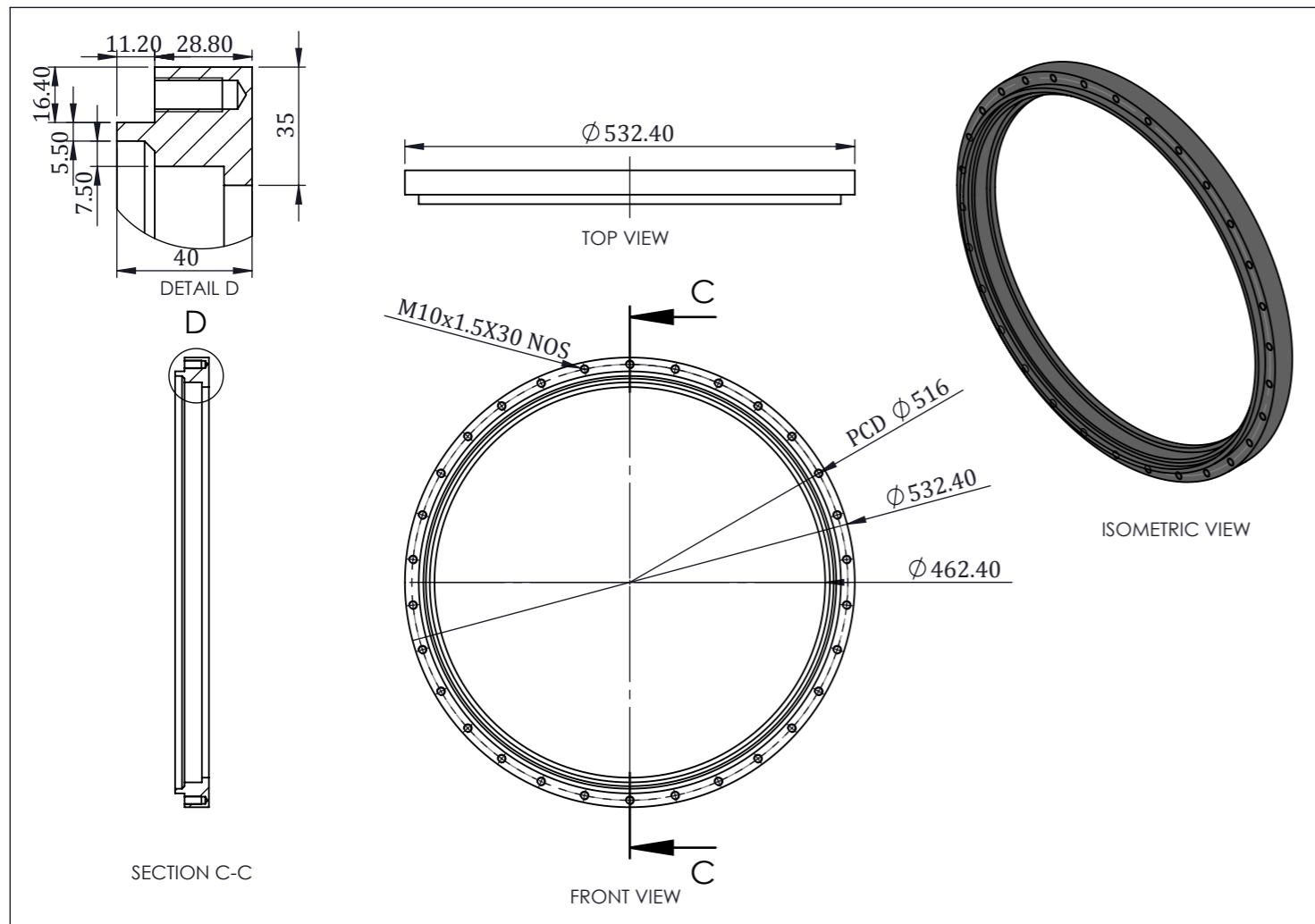


THIS DWG. IS SOLE PROPERTY OF NEOMETRIX ENGINEERING PVT. LTD.  
 UNAUTHORISED USE OF THIS DWG. OR MAKING PRODUCT AS PER THIS  
 DWG. WITHOUT OUR PERMISSION OR ANY OTHER MISUSE IS NOT  
 PERMITTED.



- NOTE:  
 1. ALL DIMENSIONS ARE IN mm.  
 2. MATERIAL: AL ALLOY

NOTE:  
 TENTATIVE DRAWING SUBJECT TO CHANGE

**NEOMETRIX**  
 www.neometrixgroup.com

NEOMETRIX ENGINEERING PVT. LTD.  
 E-148, Sector-63, Noida, UP-201301  
 Tel. No. :- 0120-4500800  
 Fax No. :- 0120-4500888  
 Email :- contact@neometrixgroup.com

PROJECTION	DRAWN BY & DATE	SRK	17/06/2019	Size	Scale	Sheet	NEO. DWG. No.	REV	
	CHECKED BY & DATE	SM	17/06/2019	A3	NTS	01	T-DAP-A1828-MDWG-	00	
	APPROVED BY & DATE	S.P.S	17/06/2019						
MAIN TITLE	----							QA No.	
SUB - TITLE	----							Cross Ref. Doc. No.	
CODE	A1828							Customer Dwg./Ref. No.	
CUSTOMER								Note :	
END USER									
PO. NO.	----								