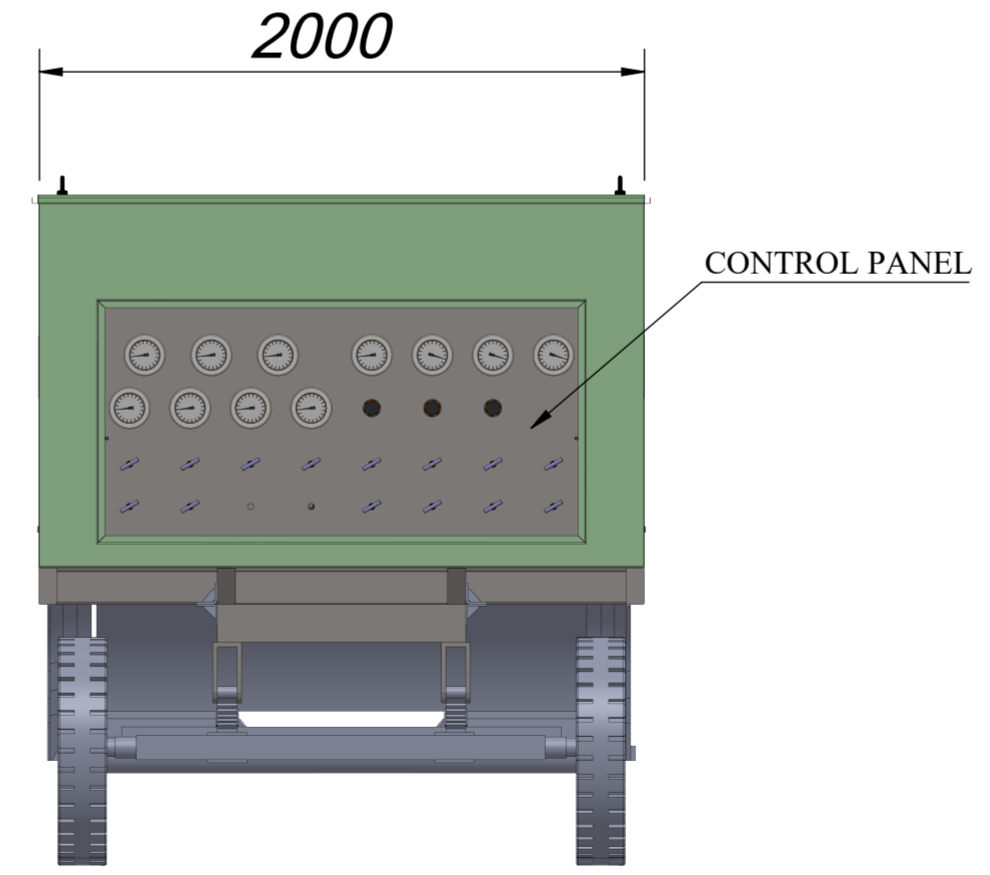
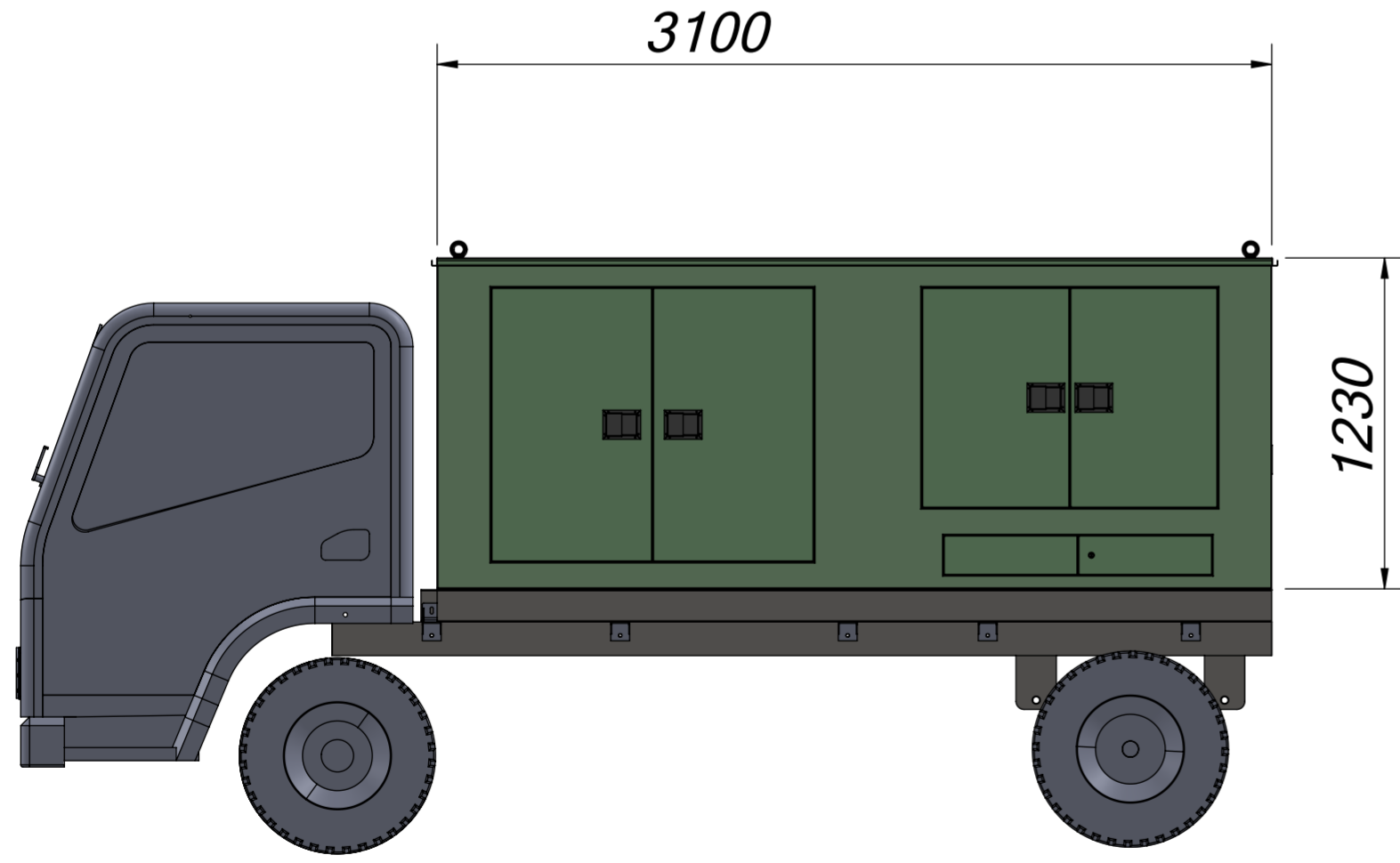
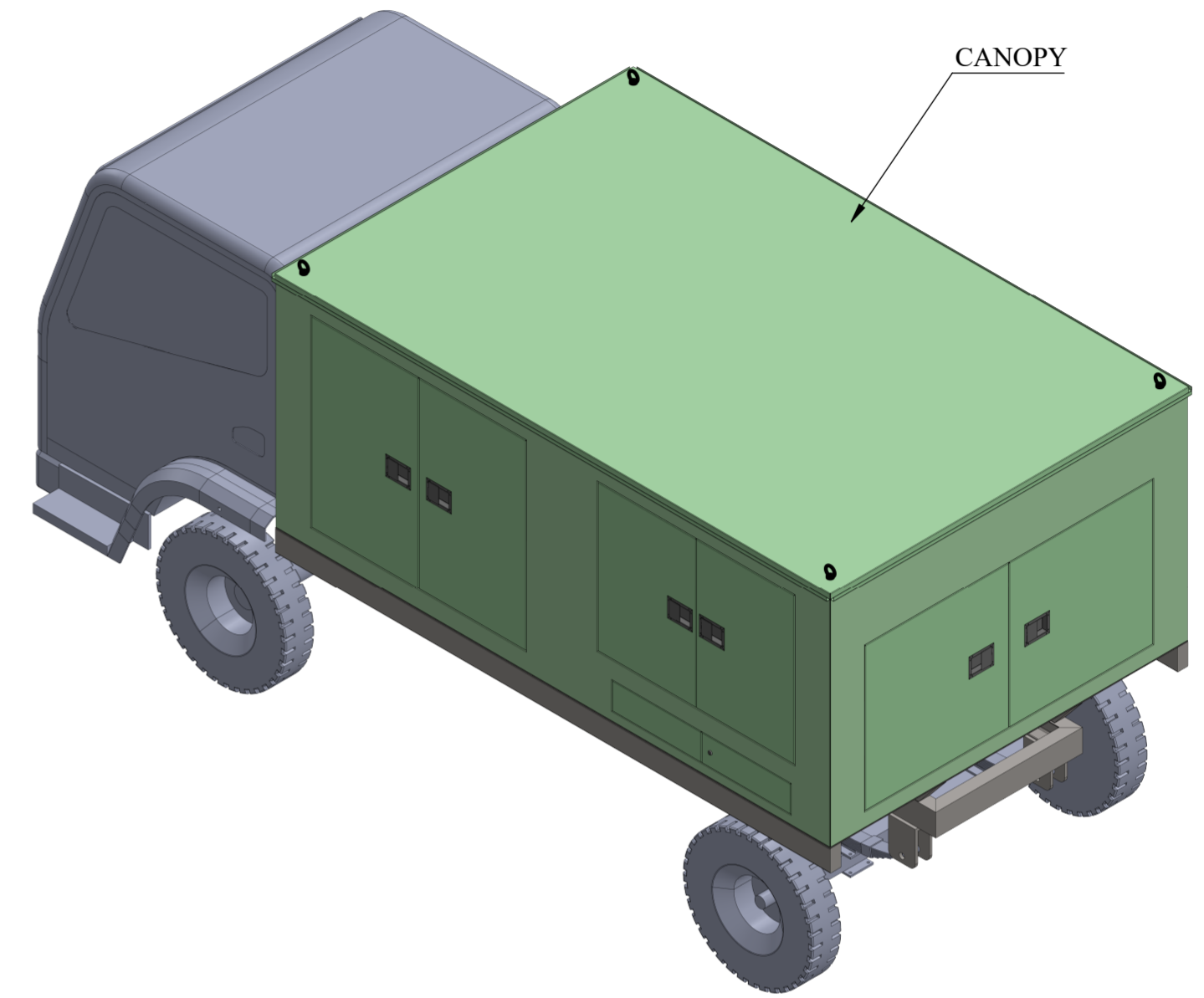
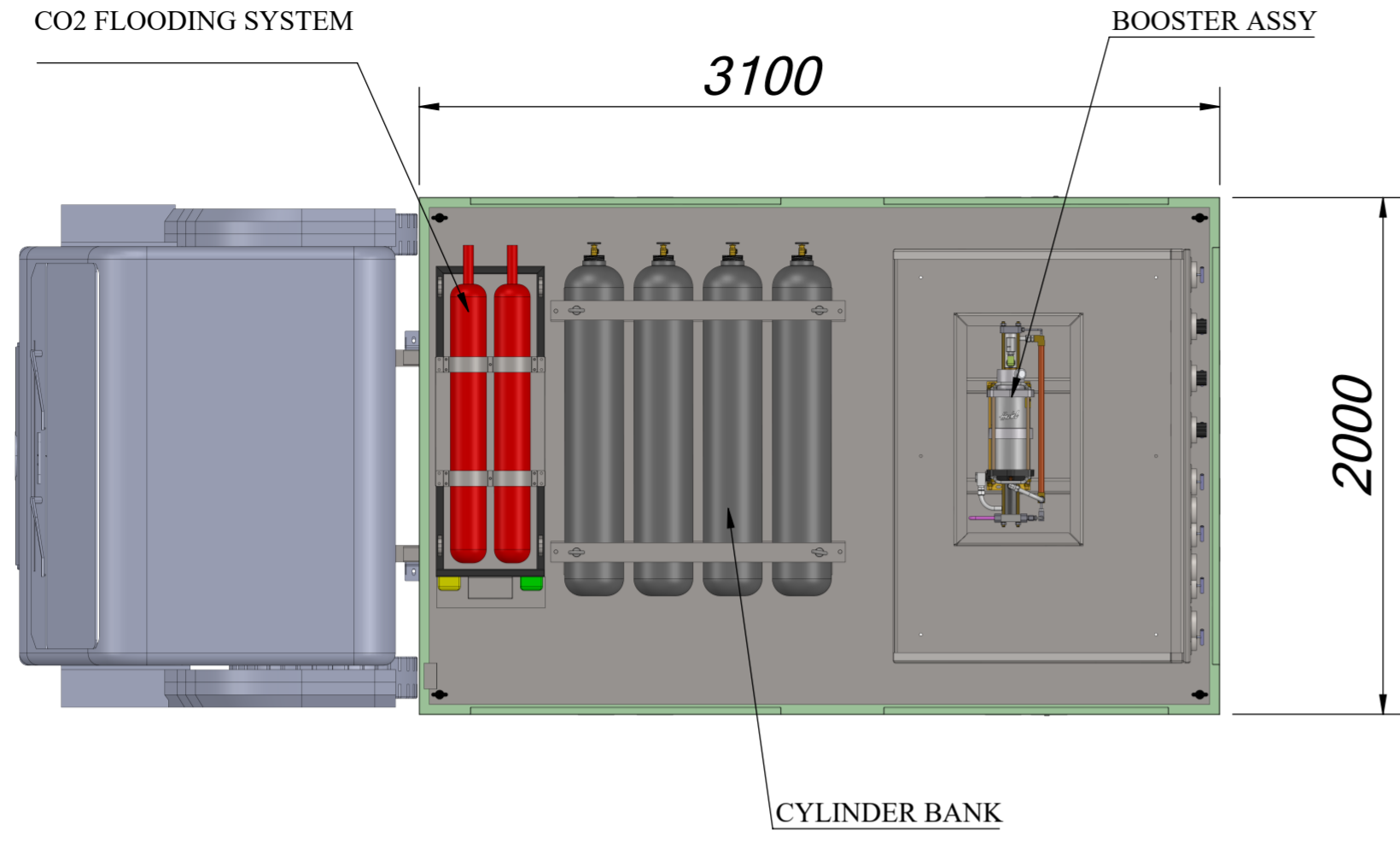


THIS DWG. IS SOLE PROPERTY OF NEOMETRIX ENGINEERING PVT. LTD. UNAUTHORISED USE OF THIS DWG. OR MAKING PRODUCT AS PER THIS DWG. WITHOUT OUR PERMISSION OR ANY OTHER MISUSE IS NOT PERMITTED.



NOTE:-
1. ALL DIMENSIONS ARE IN MM.

GA DRAWING

										NEOMETRIX ENGINEERING PVT LTD E-148, SECTOR 63, NOIDA, UP-201301 Tel No.: 0120 4500800 Fax No.: 0120 4500888 E-mail: contact@neometrixgroup.com Design Dept.: design@neometrixgroup.com									
										TITLE		UGSSO2							
SUB-TITLE		GA DWG. OXYGEN CHARGING & DISTRIBUTION VEHICLE								Cross Ref Doc No.:									
SRS CODE		A3128								Customer Dwg Ref No.									
CUSTOMER		--								NOTE :									
END USER		--																	
TD/PO. No.		--								DATED									
PROJECTION	DRWN	M.F	20/07/2024	SIZE	SCALE	SHEET	NEO DWG No.		REV										
	CHK.	S.S	20/07/2024	A3	NTS	01	01	T-PED-A3128-GADWG-	00										
	APPR.	S.P.S	20/07/2024																