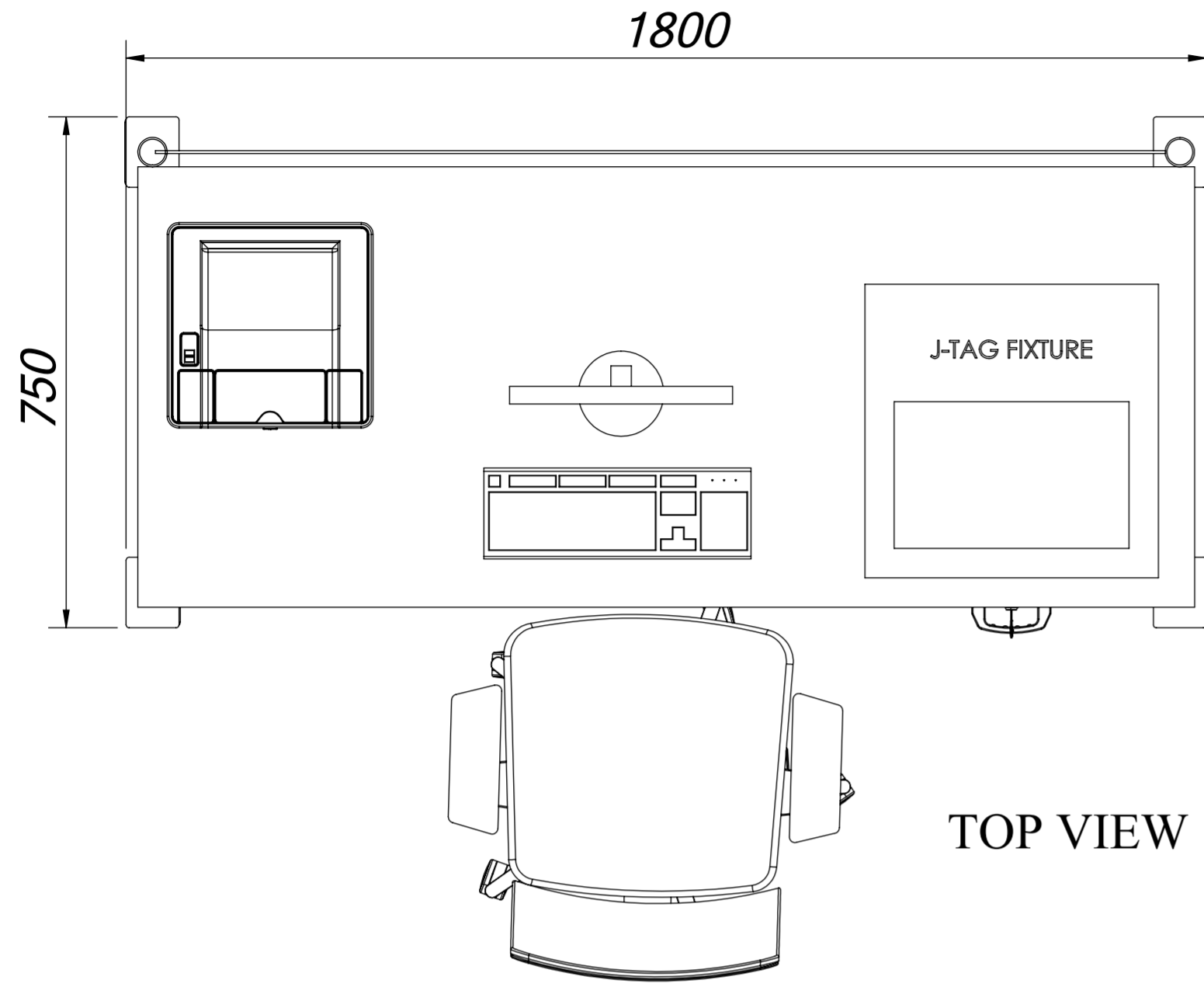


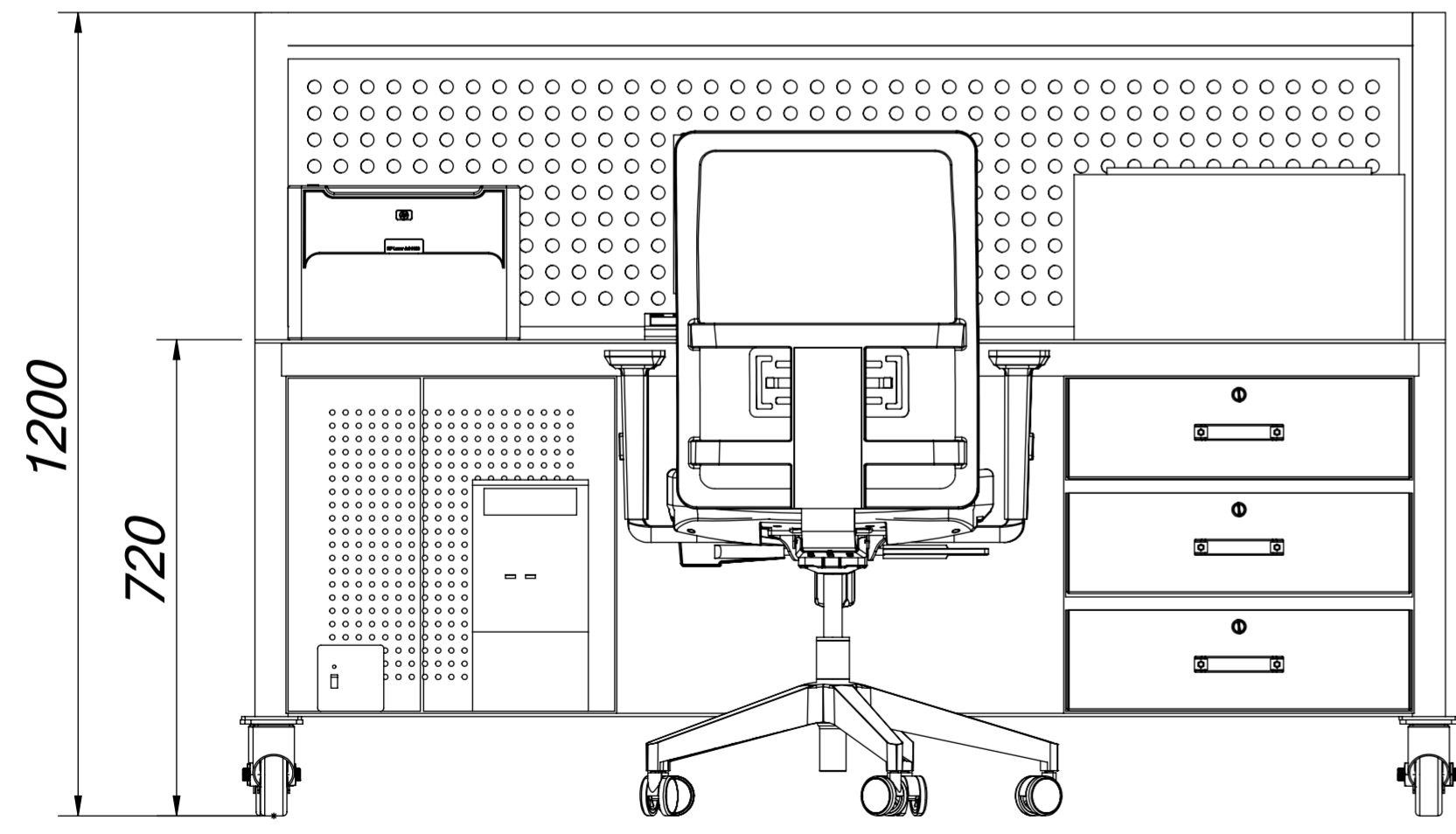
THIS DWG. IS SOLE PROPERTY OF NEOMETRIX ENGINEERING PVT. LTD. UNAUTHORISED USE OF THIS DWG. OR MAKING PRODUCT AS PER THIS DWG. WITHOUT OUR PERMISSION OR ANY OTHER MISUSE IS NOT PERMITTED.



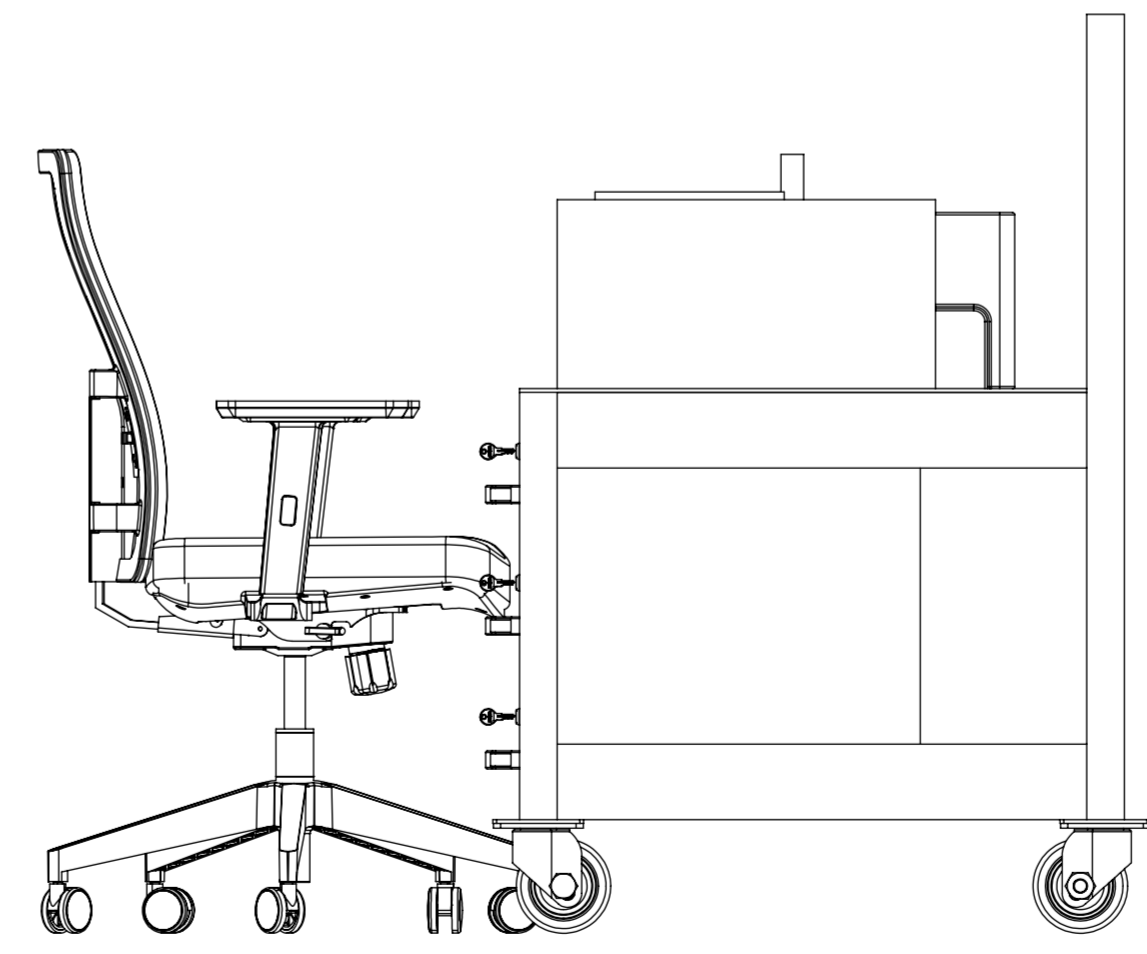
TOP VIEW



ISOMETRIC VIEW



FRONT VIEW



SIDE VIEW

NOTE:-  
1. ALL DIMENSION ARE IN MM.

NOTE:-  
THIS IS TENTATIVE DRAWING, SUBJECT TO CHANGE.

**J-TAG**

<b>NEOMETRIX</b>				NEOMETRIX ENGINEERING PVT LTD E-148, SECTOR 63, NOIDA, UP-201301 Tel No.: 0120 4500800 Fax No.: 0120 4500888 E-mail: contact@neometrixgroup.com Design Dept.: design@neometrixgroup.com			
TITLE	MUATE EQUIPMENT			QA No.			
SUB-TITLE	GADWG- J TAG			Cross Ref Doc No.:			
SRS CODE	A3480			Customer Dwg Ref No.			
CUSTOMER	13 BRD, PALAM			NOTE :			
END USER	13 BRD, PALAM						
TD/PO. No.	--			DATED			
PROJECTION	DRWN	M.F	28/10/2023	SIZE	SCALE	SHEET	NEO DWG No.
	CHK.	A.A	28/10/2023	A3	NFS	01	T-PED-A3480-GADWG- J TAG
	APPR.	S.P.S	28/10/2023				00