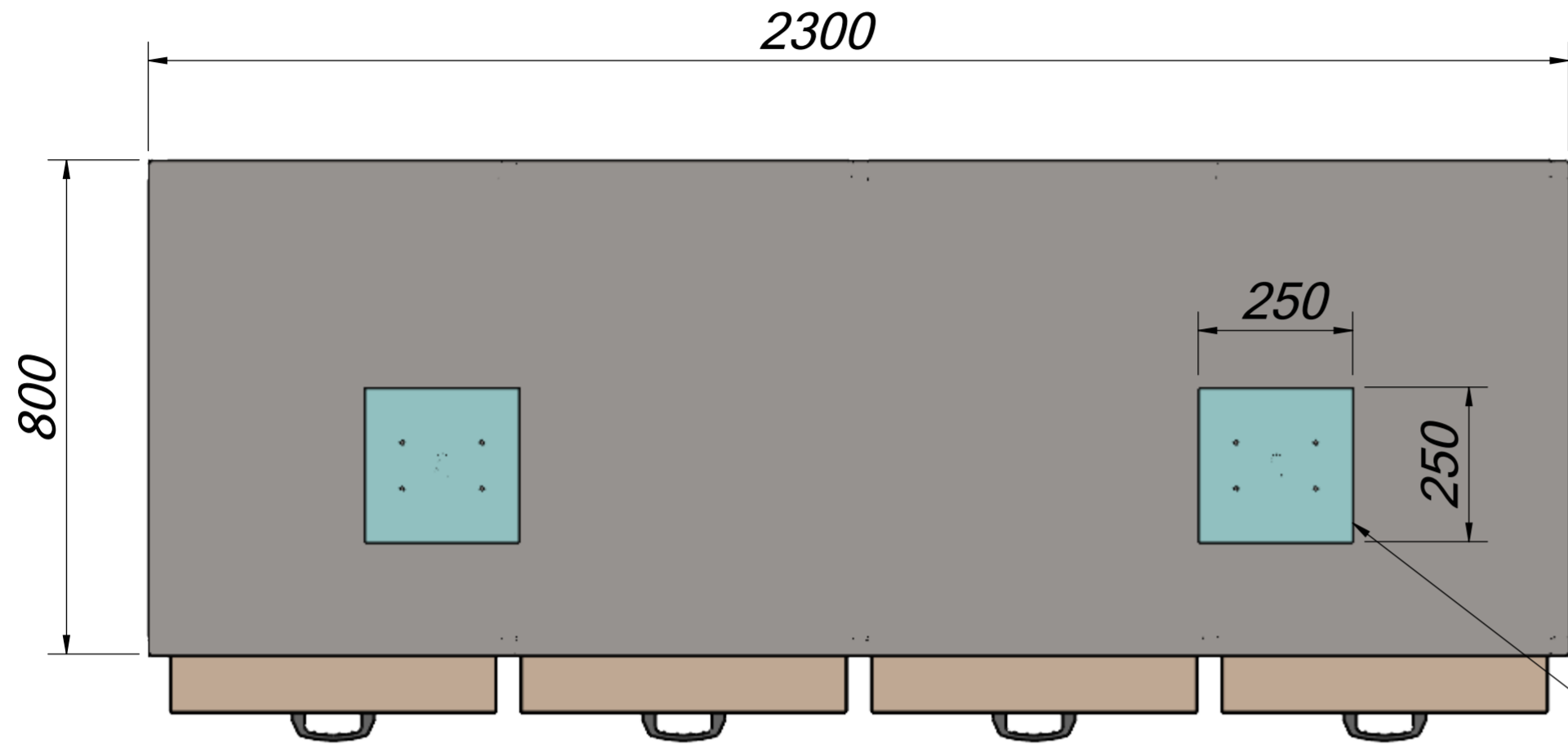
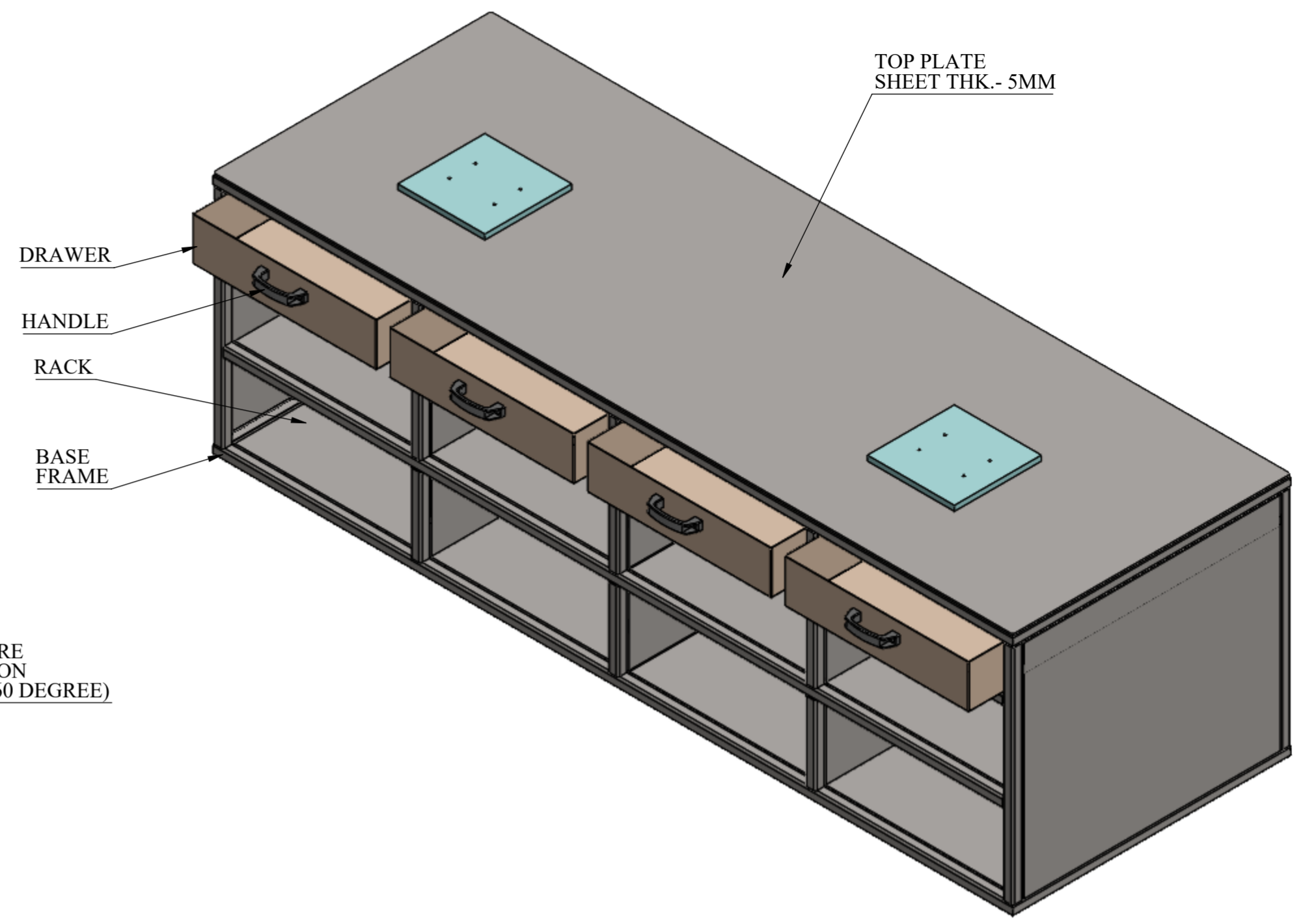


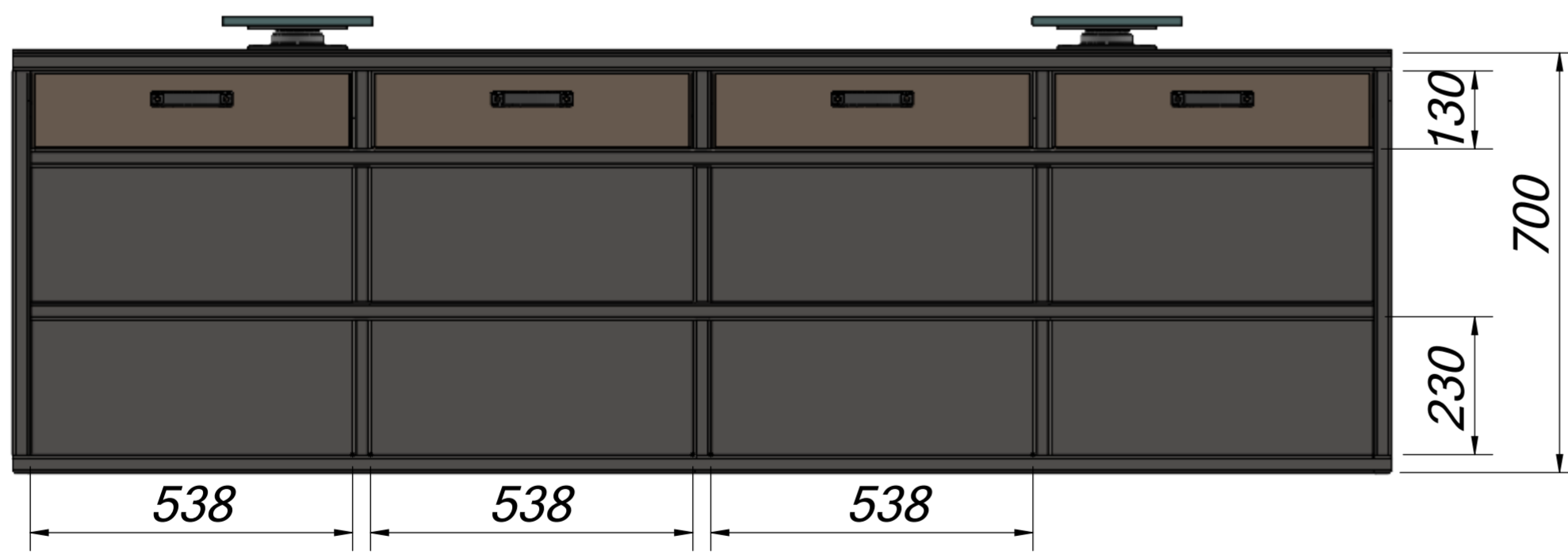
THIS DWG. IS SOLE PROPERTY OF NEOMETRIX ENGINEERING PVT. LTD. UNAUTHORISED USE OF THIS DWG. OR MAKING PRODUCT AS PER THIS DWG. WITHOUT OUR PERMISSION OR ANY OTHER MISUSE IS NOT PERMITTED.



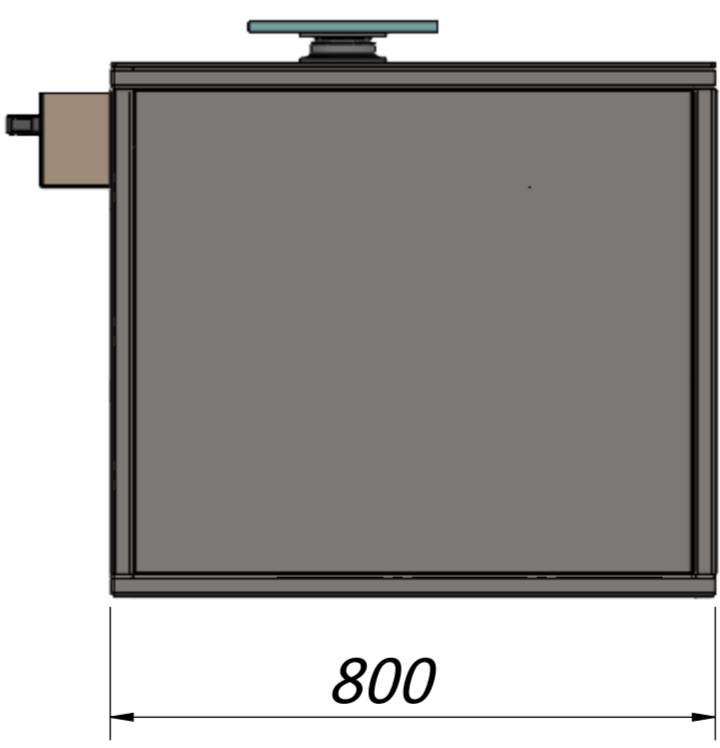
TOP VIEW



ISOMETRIC VIEW



FRONT VIEW



SIDE VIEW

NOTE:-

1. ALL DIMENSIONS ARE IN MM.
2. MATERIAL- SS
3. SIDE COVER SHEET THK.- 1.6MM
4. USED SQUARE TUBE (40x40x3MM)

NOTE:- THIS IS TENTATIVE DRAWING, SUBJECT TO CHANGE.

**D.V ASSEMBLY TABLE**

<b>NEOMETRIX</b>		NEOMETRIX ENGINEERING PVT LTD E-148, SECTOR 63, NOIDA, UP-201301 Tel No.: 0120 4500800 Fax No.: 0120 4500888 E-mail: contact@neometrixgroup.com Design Dept.: design@neometrixgroup.com	
TITLE	DV TEST BENCH		QA No.
SUB-TITLE	GADWG- D.V ASSEMBLY TABLE		Cross Ref Doc No.:
SRS CODE	A4557		Customer Dwg Ref No.
CUSTOMER	--		NOTE :
END USER	--		
TD/PO. No.	--		
PROJECTION	DRWN	M.F	13/04/2023
	CHK.	S.H	13/04/2023
	APPR.	S.P.S	13/04/2023
SIZE	SCALE	SHEET No	OF
A3	NFS	01	01
NEO DWG No.			REV
T-DAP-A4457-GADWG-			00