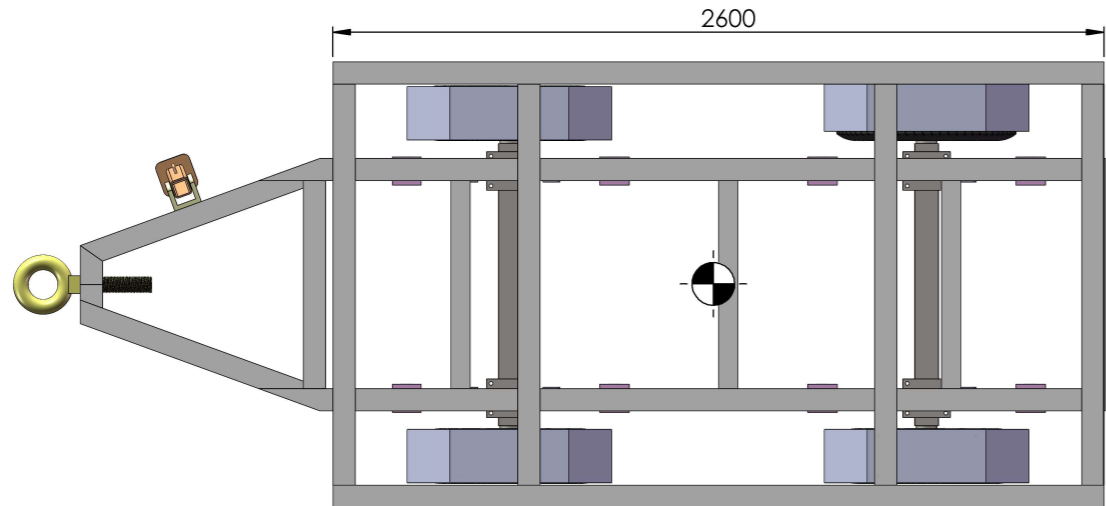
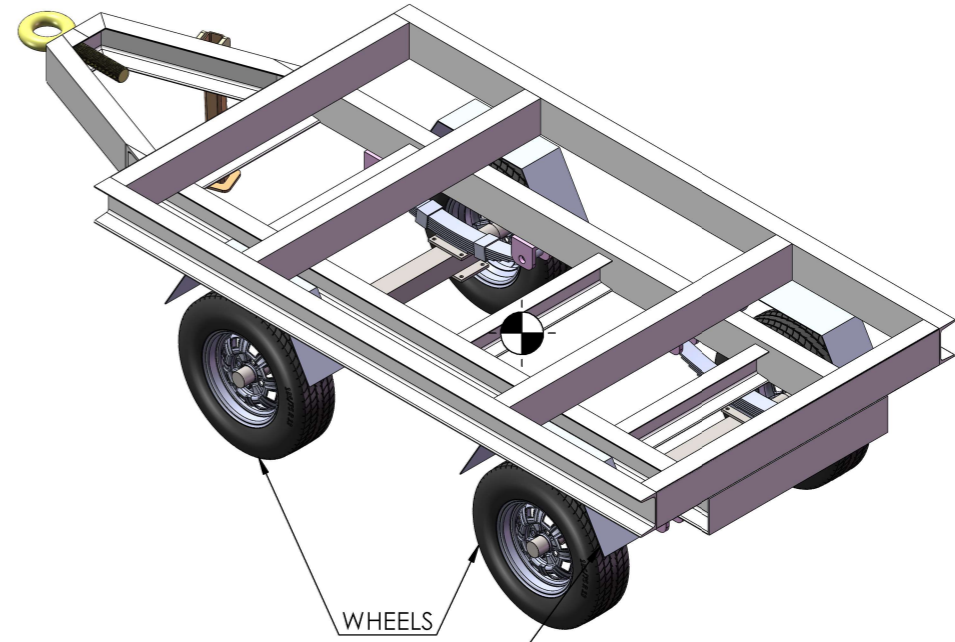


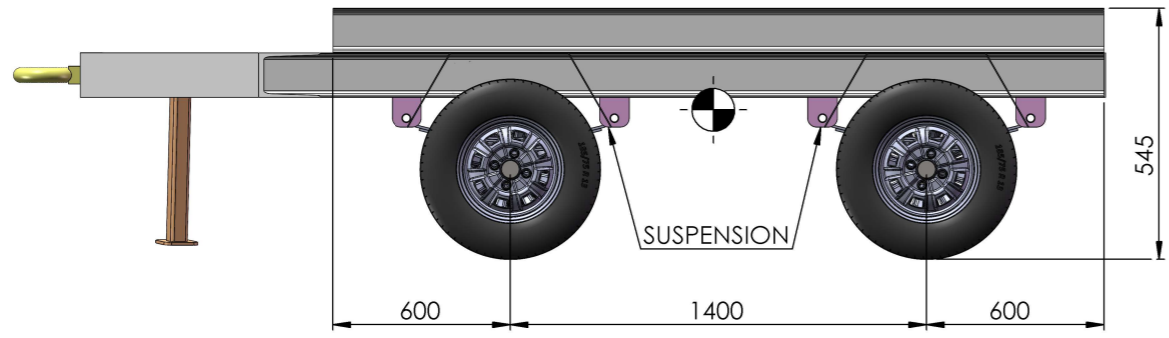
THIS DWG. IS SOLE PROPERTY OF NEOMETRIX ENGINEERING PVT. LTD. UNAUTHORISED USE OF THIS DWG. OR MAKING PRODUCT AS PER THIS DWG. WITHOUT OUR PERMISSION OR ANY OTHER MISUSE IS NOT PERMITTED.



TOP VIEW



ISOMETRIC VIEW



FRONT VIEW

- ALL DIMENSIONS ARE IN mm.
- DRUM BRAKES ON REAR WHEEL OF TROLLEY TO BE PROVIDED.
- FRONT WHEEL SHOULD BE OF SWIVEL TYPE DESIGN FOR EASY MOVEMENT OF TROLLEY.
- TURN TABLE ARRANGEMENT SHOULD BE THERE.
- **QUANTITY: 1 Nos.**

**TRAILER**

NOTE: THIS IS TENTATIVE DRAWING, SUBJECTED TO CHANGE.

<b>NEOMETRIX</b>		NEOMETRIX ENGINEERING PVT LTD E-148, SECTOR 63, NOIDA, UP-201301 Tel No.: 0120 4500800 Fax No.: 0120 4500888 E-mail: contact@neometrixgroup.com Design Dept.: design@neometrixgroup.com	
TITLE	OXYGEN DESPENSER - 800L CAPACITY		
SUB-TITLE	GADWG TRAILER		
SRS CODE	A3631		
BUYER	Logo: --		
END USER	Logo: --		
TD/PO. No.	--	DATED	--
PROJECTION	DRWN	A.K.	13/01/2023
	CHK.	S.A.	13/01/2023
	APPR.	S.P.S	13/01/2023
SIZE	SCALE	SHEET No. Of	NEO DWG No.: 4
A3	NFS	01 01	T-DAP-A3631-GADWG-TRAILER
			REV
			01