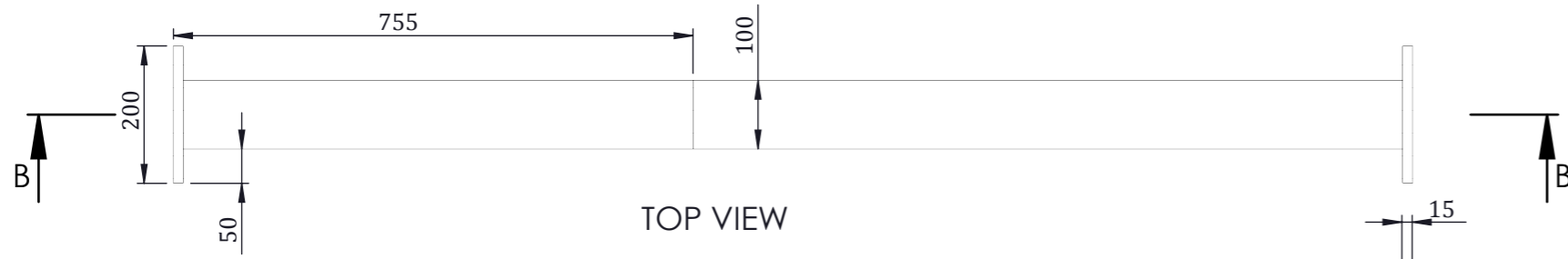
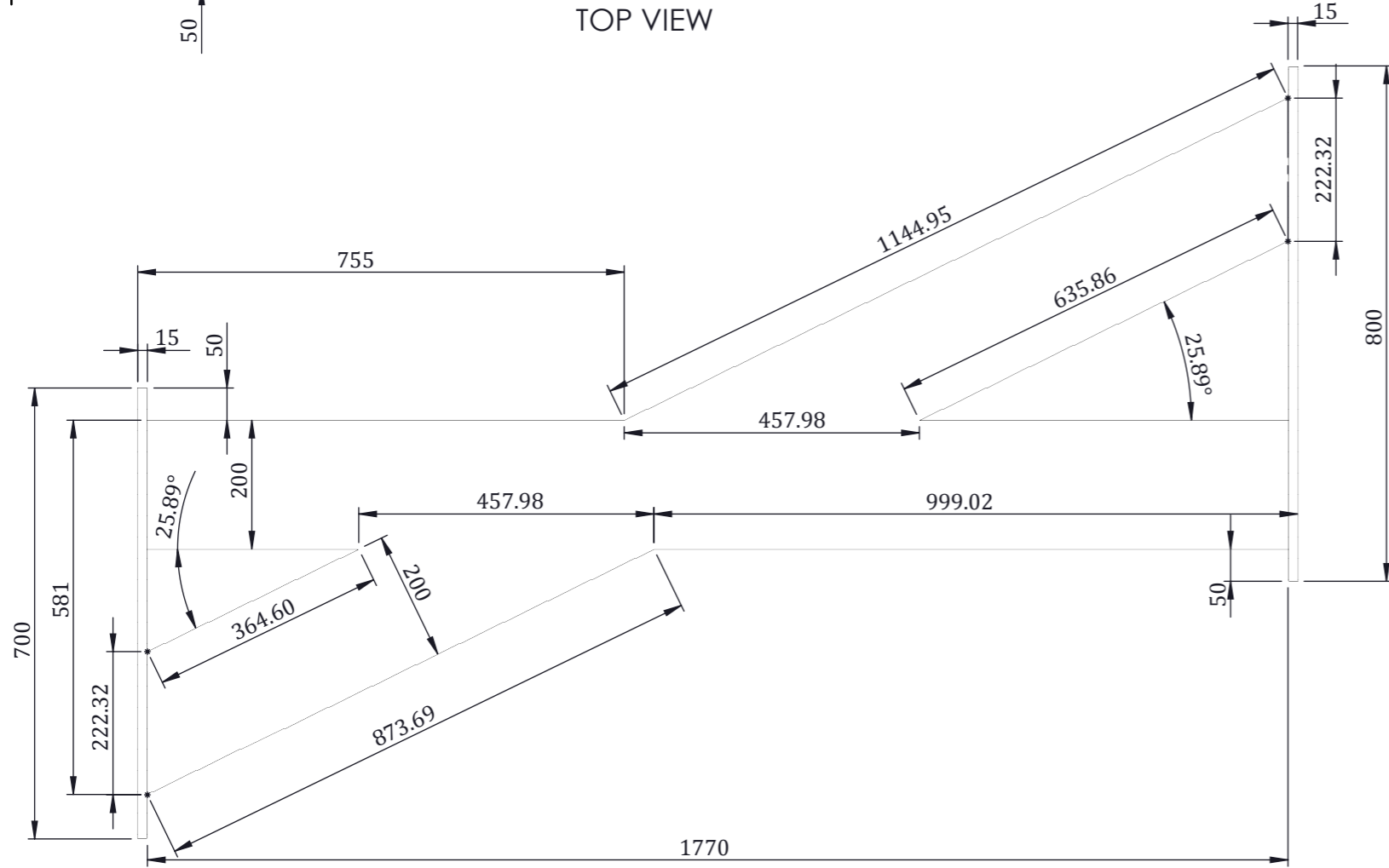


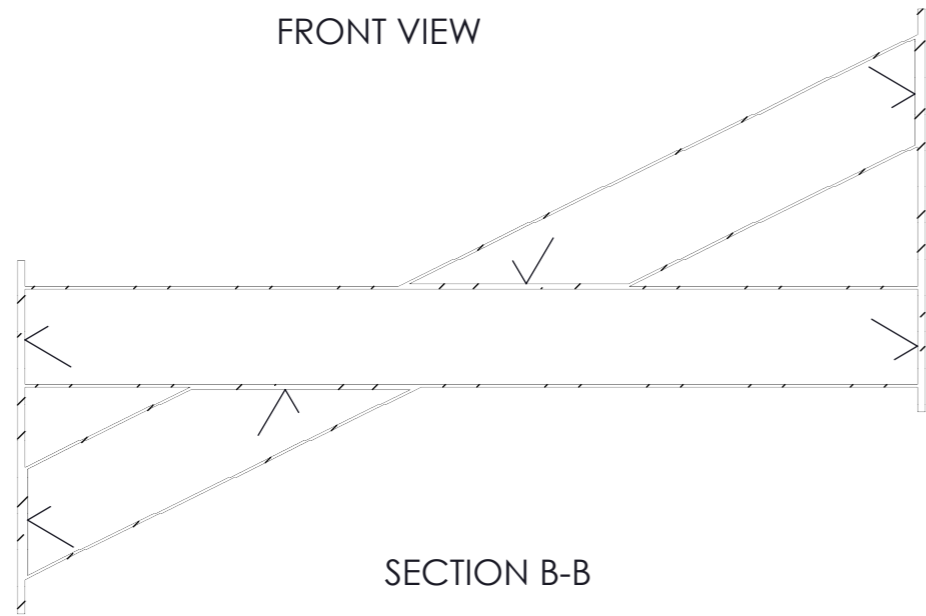
THIS DWG. IS SOLE PROPERTY OF NEOMETRIX ENGINEERING PVT. LTD.  
UNAUTHORISED USE OF THIS DWG. OR MAKING PRODUCT AS PER THIS  
DWG. WITHOUT OUR PERMISSION OR ANY OTHER MISUSE IS NOT  
PERMITTED.



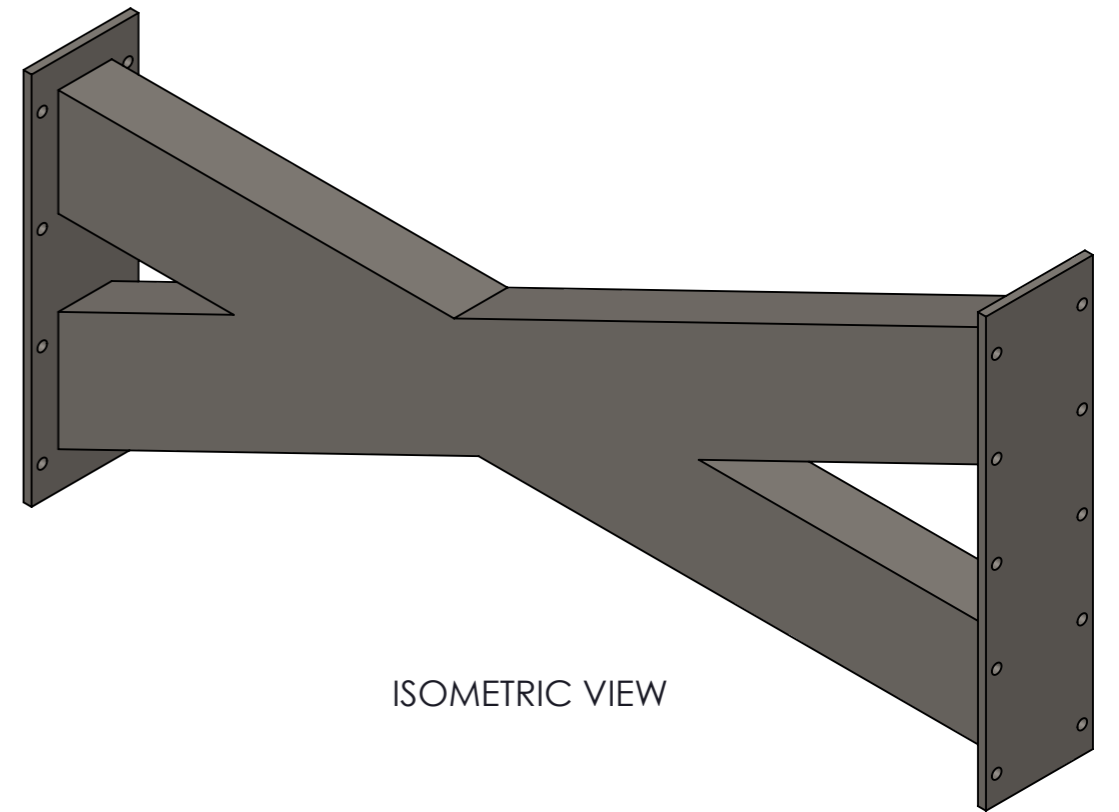
TOP VIEW



FRONT VIEW



SECTION B-B



ISOMETRIC VIEW

TOTAL WELDING LENGHT: 4.7 metre

<b>+++ NEOMETRIX</b> www.neometrixgroup.com		NEOMETRIX ENGINEERING PVT. LTD. E-148, Sector-63, Noida, UP-201301 Tel. No. :- 0120-4500800 Fax No. :- 0120-4500888 Email :- contact@neometrixgroup.com						
MAIN TITLE	HPPAS	QA No.						
SUB - TITLE	ITF SUPPORT	Cross Ref. Doc. No.						
CODE	A1637	Customer Dwg./Ref. No.						
CUSTOMER	----	Note :						
END USER	----							
PO. NO.	----							
PROJECTION	DRAWN BY & DATE	SRK	23/11/2019	Size	Scale	Sheet	NEO. DWG. No.	REV
	CHECKED BY & DATE	BK	23/11/2019	A3	NTS	01/01	T-PED-A1637-MDWG-ITF-SUPPORT	00
	APPROVED BY & DATE	S.P.S	23/11/2019					