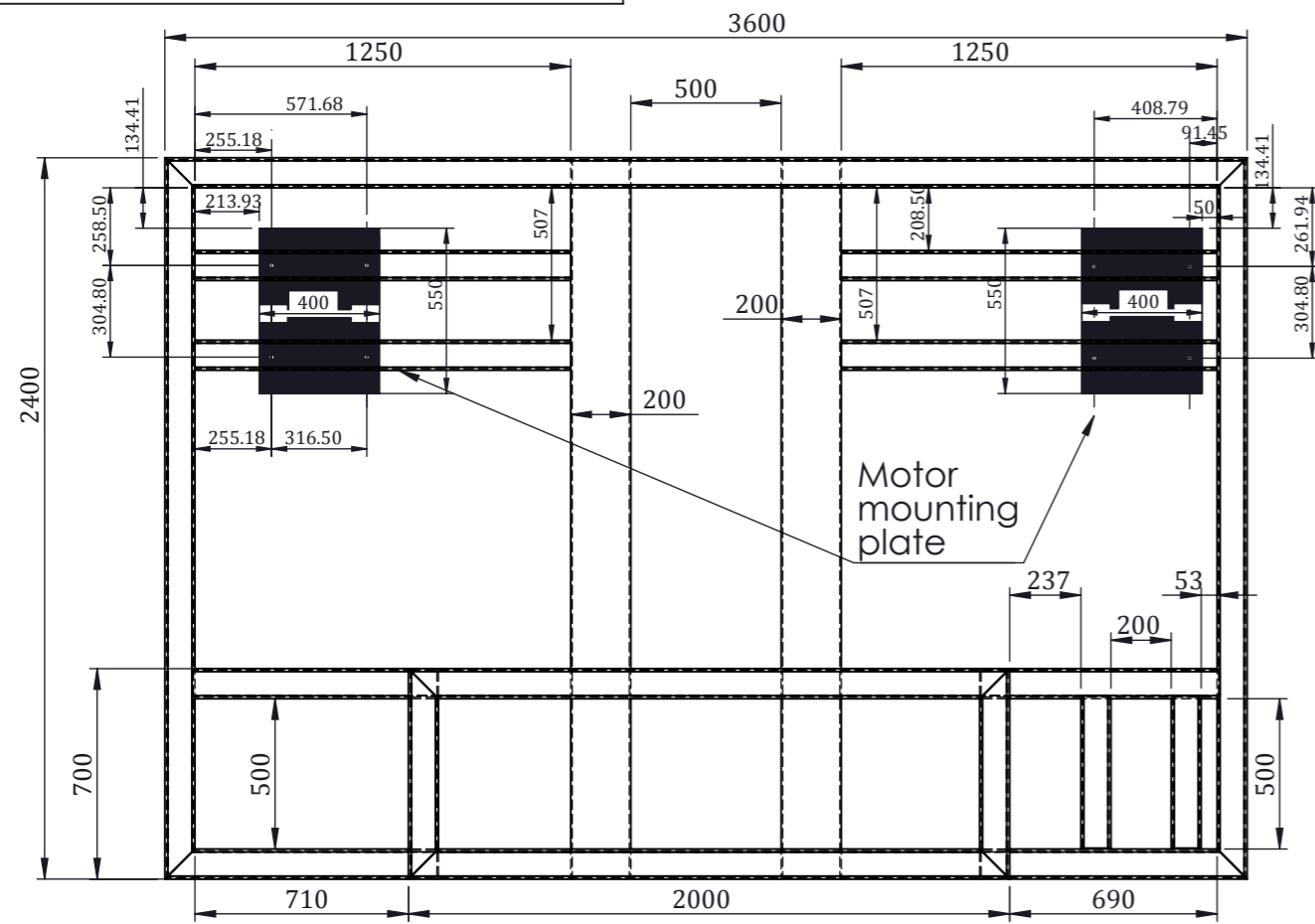
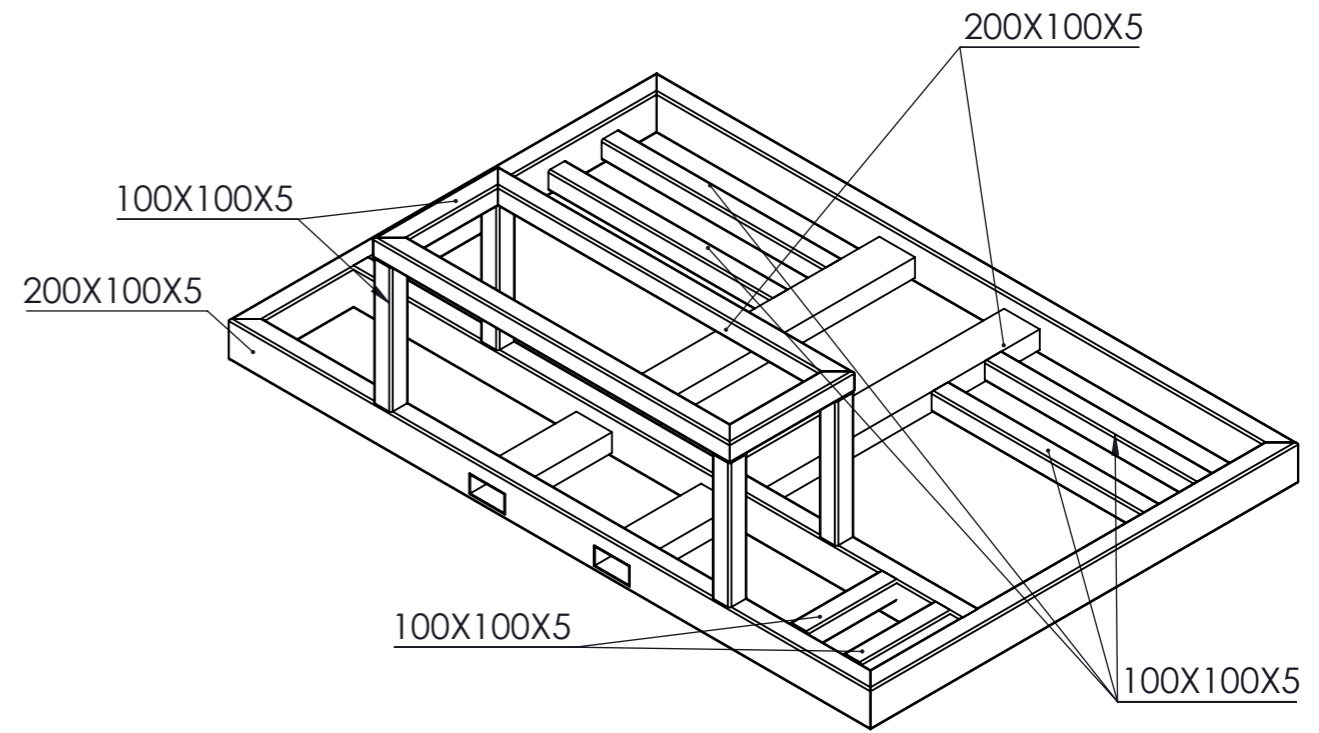


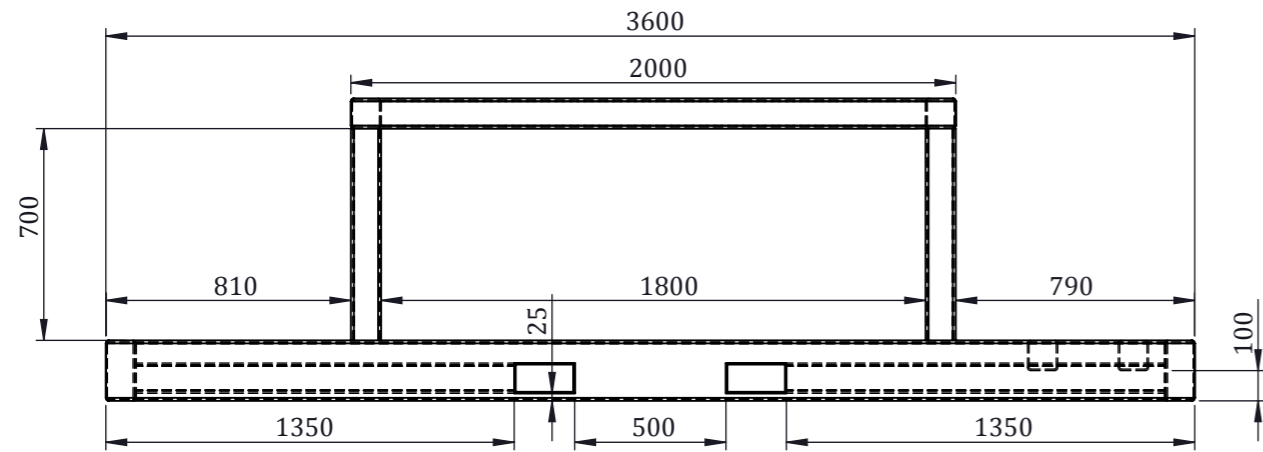
THIS DWG. IS SOLE PROPERTY OF NEOMETRIX ENGINEERING PVT. LTD.
 UNAUTHORISED USE OF THIS DWG. OR MAKING PRODUCT AS PER THIS
 DWG. WITHOUT OUR PERMISSION OR ANY OTHER MISUSE IS NOT
 PERMITTED.



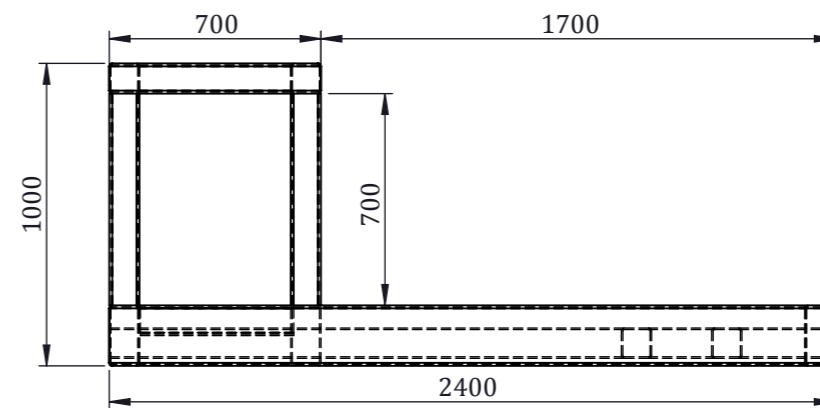
TOP VIEW



ISOMETRIC VIEW



FRONT VIEW



SIDE VIEW

- NOTE:
 1. ALL DIMENSIONS ARE IN mm.
 2. MANUFACTURING PROCESS : WELDING, GRINDING.

+++ NEOMETRIX					NEOMETRIX ENGINEERING PVT. LTD. E-148, Sector-63, Noida, UP-201301 Tel. No. :- 0120-4500800 Fax No. :- 0120-4500888 Email :- contact@neometrixgroup.com						
www.neometrixgroup.com											
MAIN TITLE					IMPULSE PROOF & BURST TEST STAND					QA No.	
SUB - TITLE					SKID					Cross Ref. Doc. No.	
CODE					A1859					Customer Dwg./Ref. No.	
CUSTOMER										Note :	
END USER											
PO. NO.											
PROJECTION	DRAWN BY & DATE	Z.A.	23/12/2019	Size	Scale	Sheet	NEO. DWG. No.		REV		
	CHECKED BY & DATE	P.T.	23/12/2019	A3	NTS	No. 01	Of 01	T-PED-A1859-MDWG-SKID		00	
	APPROVED BY & DATE	S.P.S	23/12/2019								