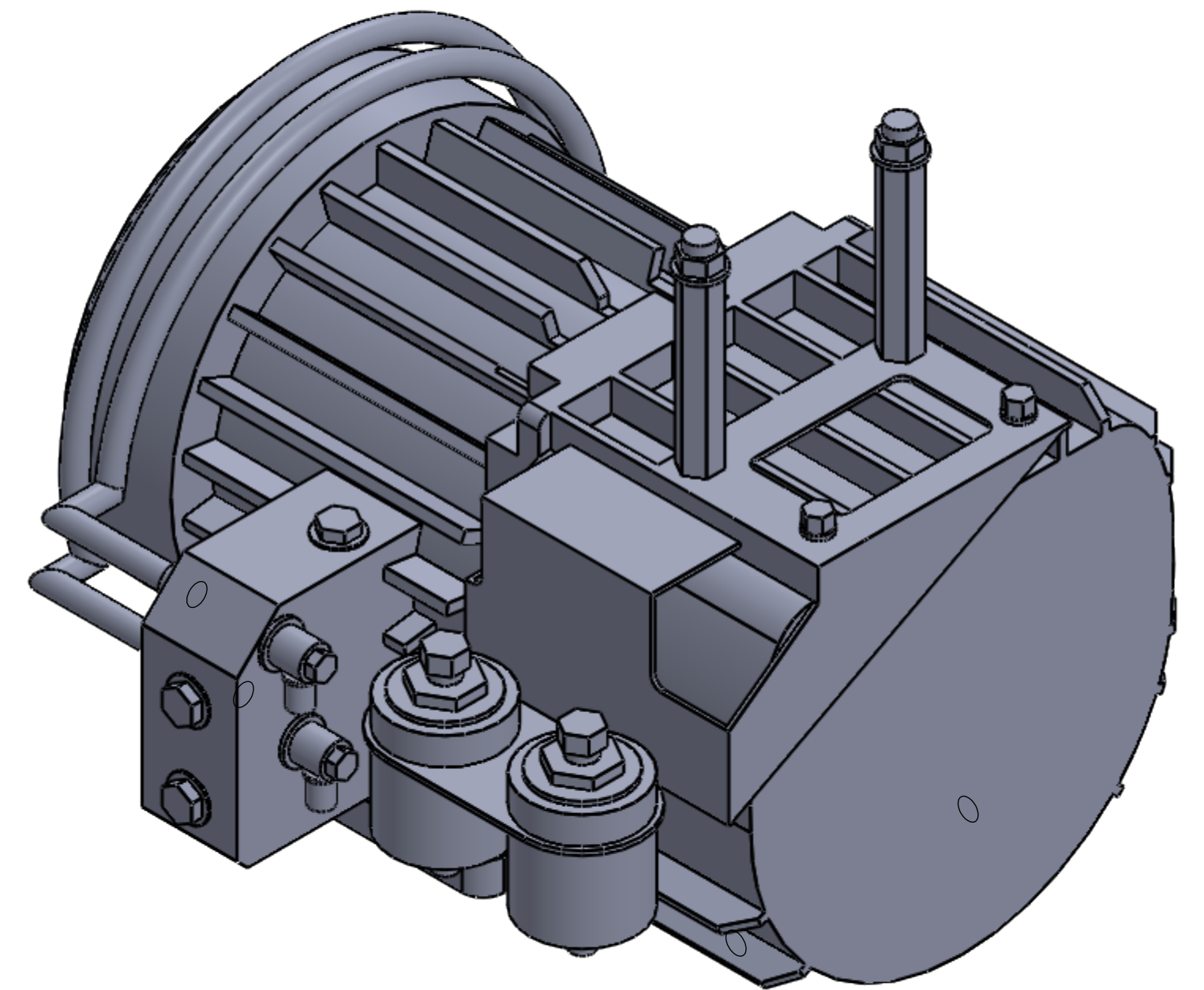
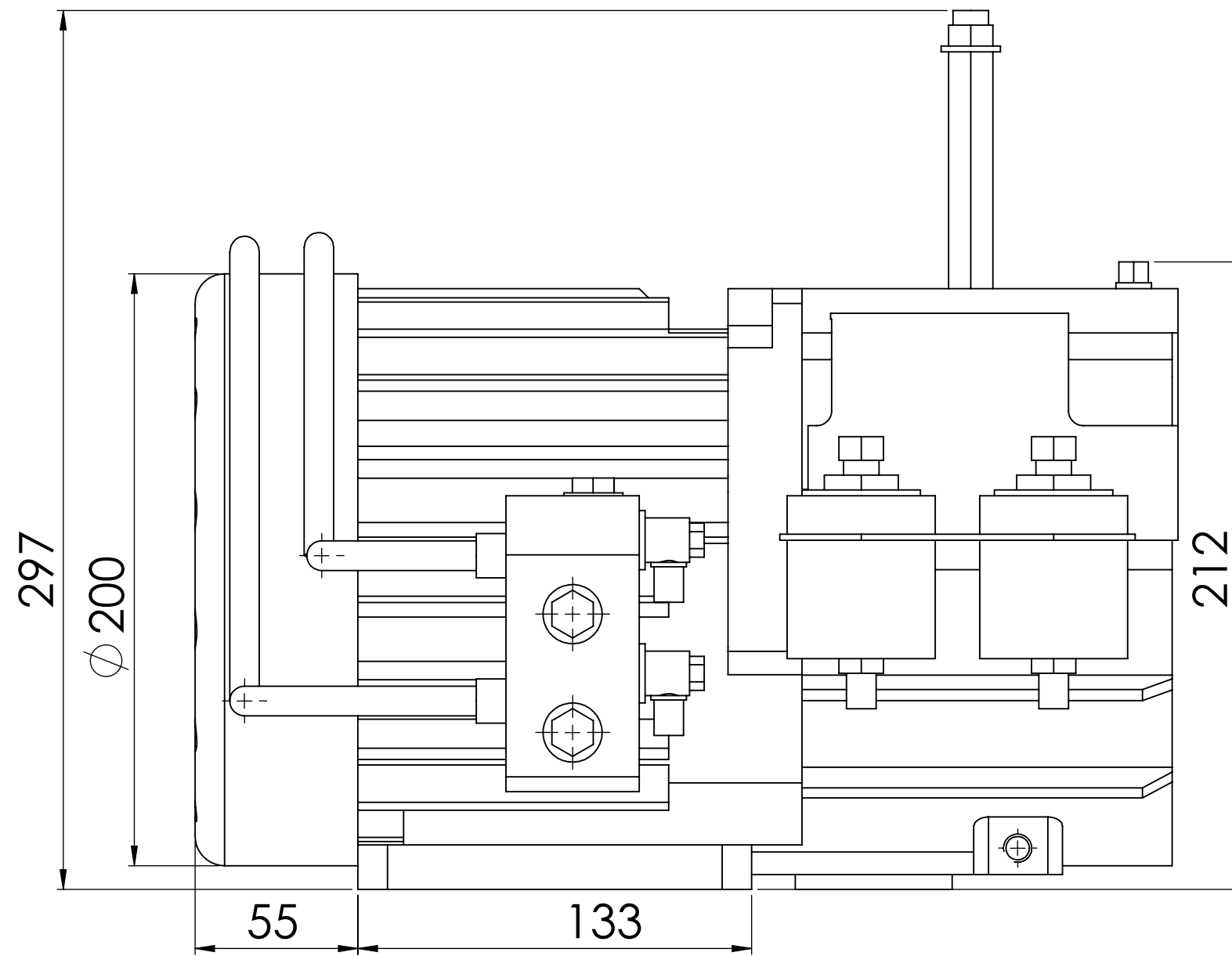
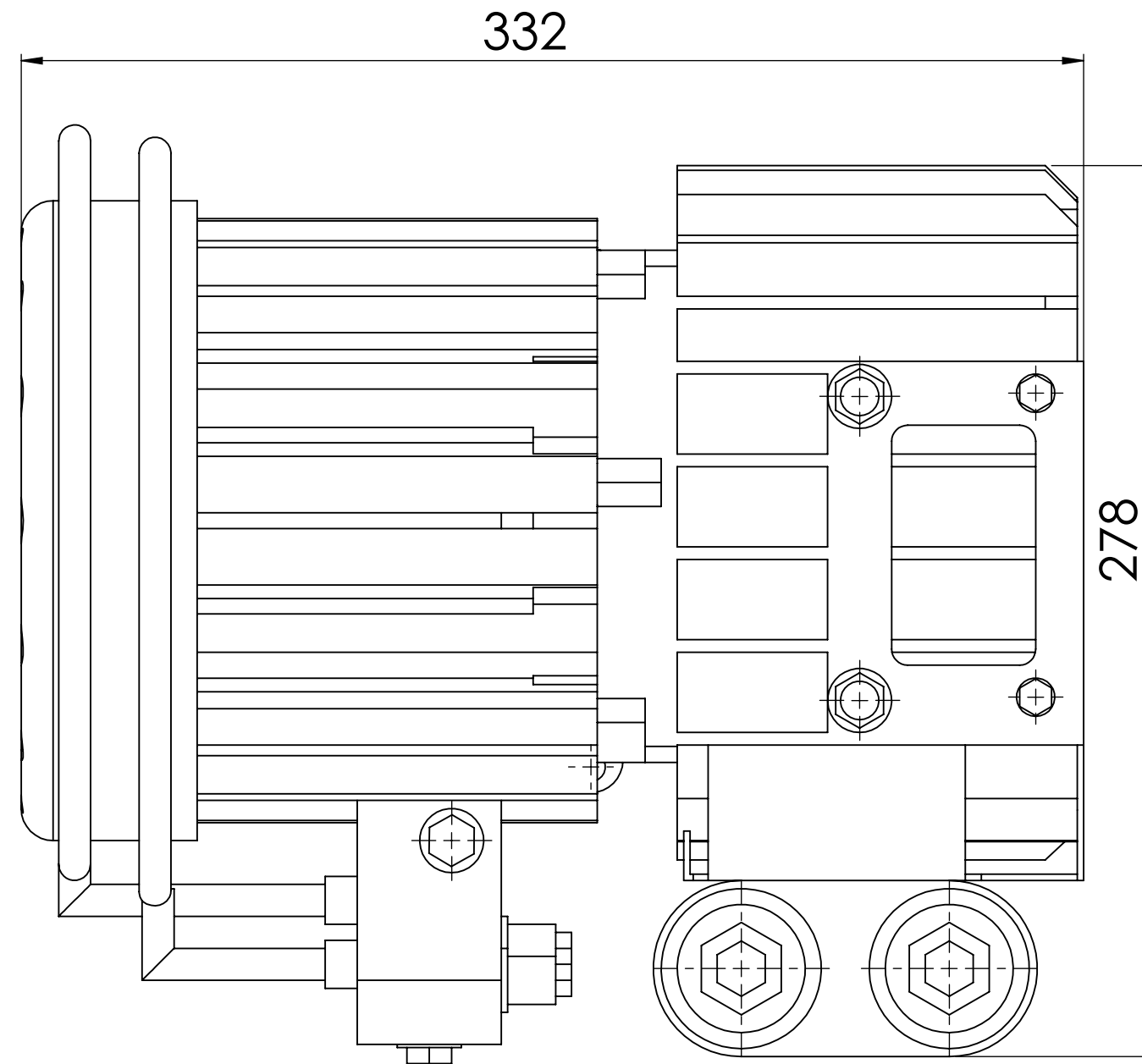


THIS DWG. IS SOLE PROPERTY OF NEOMETRIX ENGINEERING PVT. LTD.
 UNAUTHORISED USE OF THIS DWG. OR MAKING PRODUCT AS PER THIS
 DWG. WITHOUT OUR PERMISSION OR ANY OTHER MISUSE IS NOT
 PERMITTED.



		NEOMETRIX ENGINEERING PVT LTD E-148, SECTOR 63, NOIDA, UP-201301 Tel No.: 0120 4500800 Fax No.: 0120 4500888 E-mail: contact@neometrixgroup.com Design Dept.: design@neometrixgroup.com		QA No.					
		TITLE HYDRAULIC DRIVE SUB-TITLE -- SRS CODE -- CUSTOMER Logo -- END USER -- TD/PO. No. --		Cross Ref Doc No.					
PROJECTION 		DRWN	M.F	11-01-2021	SIZE	SCALE	SHEET No OF	NEO DWG No.	REV
CHK. --- APPR. S.P.S					A2	NFS	01 01		00