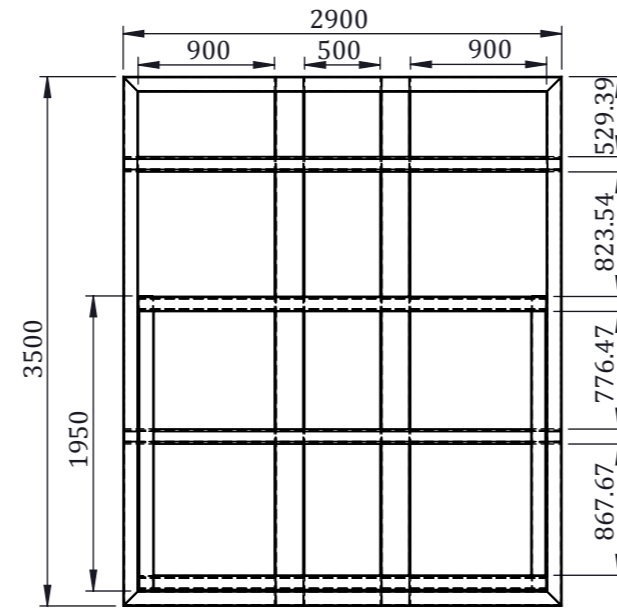
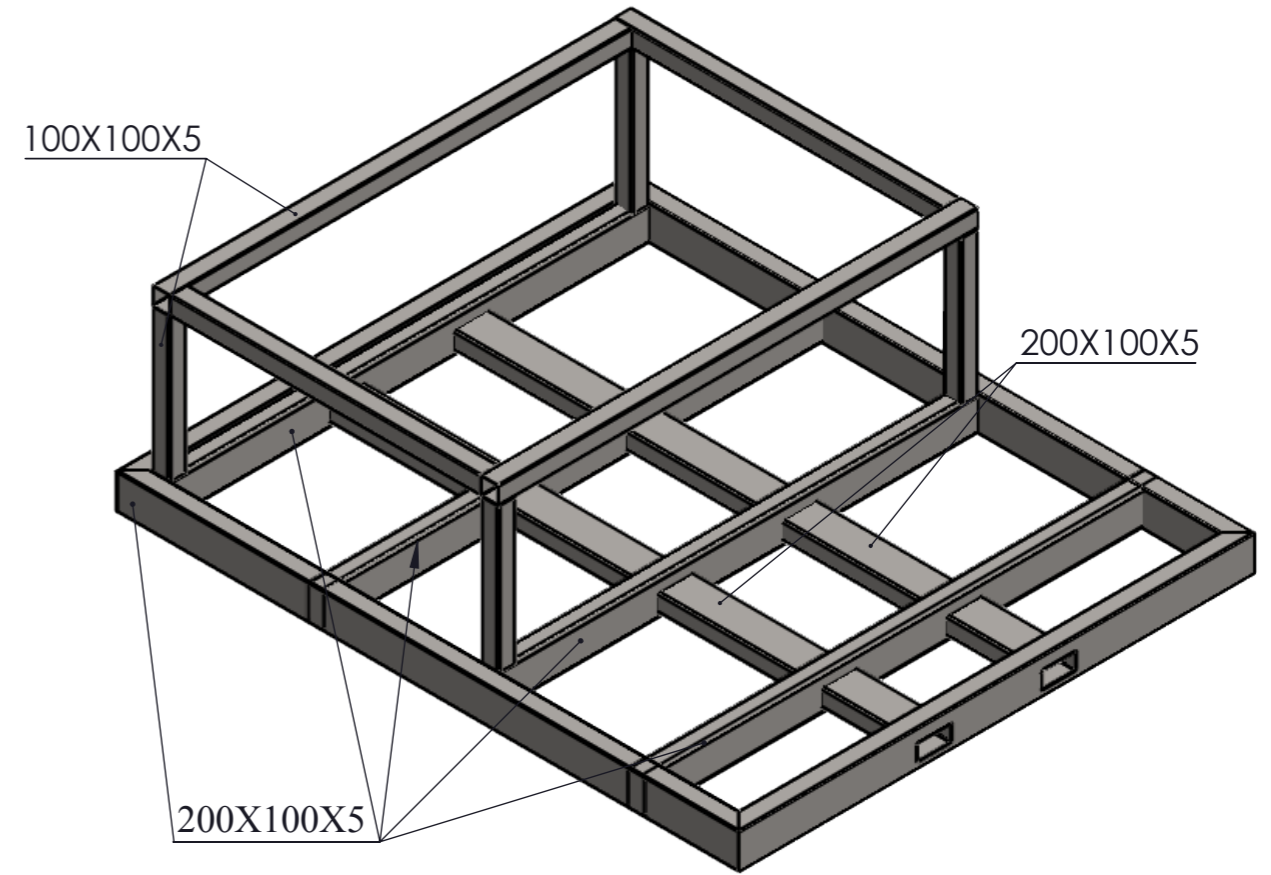


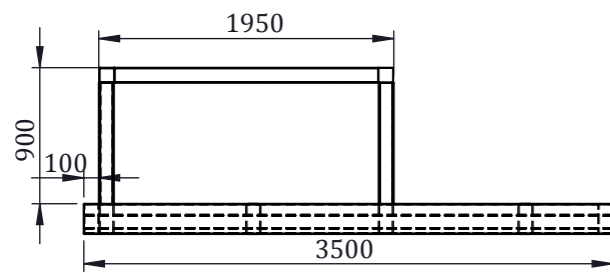
THIS DWG. IS SOLE PROPERTY OF NEOMETRIX ENGINEERING PVT. LTD.
 UNAUTHORISED USE OF THIS DWG. OR MAKING PRODUCT AS PER THIS
 DWG. WITHOUT OUR PERMISSION OR ANY OTHER MISUSE IS NOT
 PERMITTED.



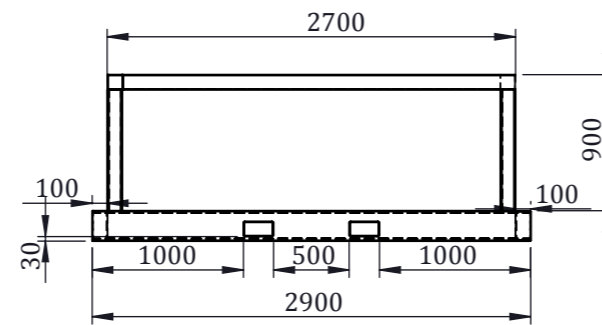
TOP VIEW



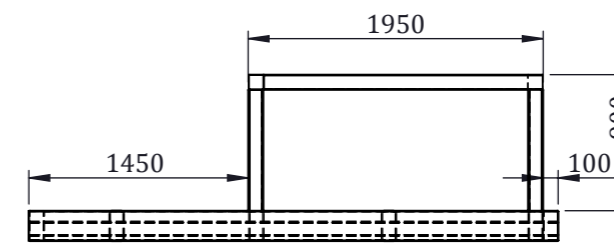
ISOMETRIC VIEW



LEFT SIDE VIEW



FRONT VIEW



RIGHT SIDE VIEW

NOTE:
 1. ALL DIMENSIONS IN mm.
 2. MATERIAL : M.S.

+++ NEOMETRIX www.neometrixgroup.com		NEOMETRIX ENGINEERING PVT. LTD. E-148, Sector-63, Noida, UP-201301 Tel. No. :- 0120-4500800 Fax No. :- 0120-4500888 Email :- contact@neometrixgroup.com	
MAIN TITLE	350kW TEST STAND	QA No.	
SUB - TITLE	SKID	Cross Ref. Doc. No.	
CODE	A1811	Customer Dwg./Ref. No.	
CUSTOMER	----	Note :	
END USER	----		
PO. NO.	----		
PROJECTION	DRAWN BY & DATE	ZISHAN .A	02/09/2019
	CHECKED BY & DATE	PANKAJ .T	02/09/2019
	APPROVED BY & DATE	S.P.S	02/09/2019
	Size	Scale	Sheet
	A4	NTS	No. Of
			01
			01
			NEO. DWG. No.
			T-PED-A1811-MDWG-SKID
			REV
			00