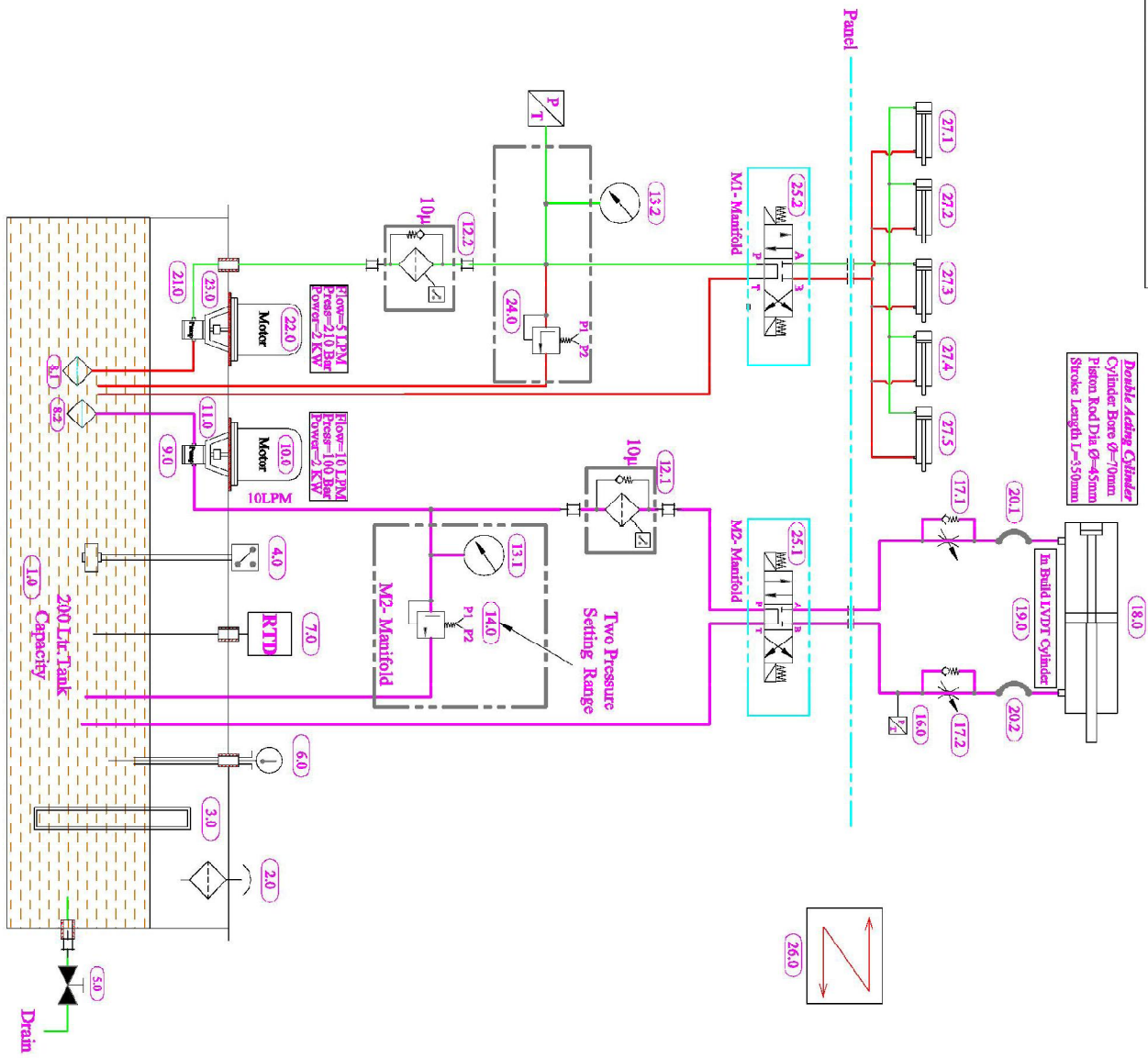


THIS DWG. IS SOLE PROPERTY OF MROBROTHERS ENGINEERING PVT.LTD.  
UNAUTHORISED USE OF THIS DWG. OR MAKING PRODUCT AS PER THIS DWG.  
WITHOUT OUR PERMISSION OR ANY OTHER MISUSE IS NOT PERMITTED.

\* With Base Frame



Oil Specification  
Hydraulic oil  
VG-46

COLOR	SIZE
Blue	1/4" PIPE
Green	1/2" PIPE
Red	3/4" PIPE
Magenta	1" PIPE
Orange	1 1/4" PIPE

27	Actuators	5
26	Junction Box	1
25	4/3 Way D.C. Valve	2
24	Relief Valve	1
23	Bell Housing & Coupling	1
22	Electric Motor	1
21	Pump	1
20	High Pressure Hose	2
19	LVDT	1
18	Double Acting Cylinder	1
17	Flow Control Valve	2
16	Pressure Transmitter	1
15	DC Valve	1
14	Pressure Relief Valve	1
13	Pressure Gauge + Transmitter	2
12	Pressure Line Filter	2
11	Bell Housing & Coupling	1
10	Electric Motor	1
9	Gear Pump (Duplex)	1
8	Suction Strainer	2
7	RTD	1
6	Temperature Gauge	1
5	Drain Valve	1
4	Level Switch	1
3	Level Gauge	1
2	Filler Breather	1
1	Tank (Capacity 200 Ltrs )	1

Item Code	Item Description	Qty
1	Tank (Capacity 200 Ltrs )	1
2	Filler Breather	1
3	Level Gauge	1
4	Level Switch	1
5	Drain Valve	1
6	Temperature Gauge	1
7	RTD	1
8	Suction Strainer	2
9	Gear Pump (Duplex)	1
10	Electric Motor	1
11	Bell Housing & Coupling	1
12	Pressure Line Filter	2
13	Pressure Gauge + Transmitter	2
14	Pressure Relief Valve	1
15	DC Valve	1
16	Pressure Transmitter	1
17	Flow Control Valve	2
18	Double Acting Cylinder	1
19	LVDT	1
20	High Pressure Hose	2
21	Pump	1
22	Electric Motor	1
23	Bell Housing & Coupling	1
24	Relief Valve	1
25	4/3 Way D.C. Valve	2
26	Junction Box	1
27	Actuators	5

Item Code	Item Description	Qty
1	Tank (Capacity 200 Ltrs )	1
2	Filler Breather	1
3	Level Gauge	1
4	Level Switch	1
5	Drain Valve	1
6	Temperature Gauge	1
7	RTD	1
8	Suction Strainer	2
9	Gear Pump (Duplex)	1
10	Electric Motor	1
11	Bell Housing & Coupling	1
12	Pressure Line Filter	2
13	Pressure Gauge + Transmitter	2
14	Pressure Relief Valve	1
15	DC Valve	1
16	Pressure Transmitter	1
17	Flow Control Valve	2
18	Double Acting Cylinder	1
19	LVDT	1
20	High Pressure Hose	2
21	Pump	1
22	Electric Motor	1
23	Bell Housing & Coupling	1
24	Relief Valve	1
25	4/3 Way D.C. Valve	2
26	Junction Box	1
27	Actuators	5

Item Code	Item Description	Qty
1	Tank (Capacity 200 Ltrs )	1
2	Filler Breather	1
3	Level Gauge	1
4	Level Switch	1
5	Drain Valve	1
6	Temperature Gauge	1
7	RTD	1
8	Suction Strainer	2
9	Gear Pump (Duplex)	1
10	Electric Motor	1
11	Bell Housing & Coupling	1
12	Pressure Line Filter	2
13	Pressure Gauge + Transmitter	2
14	Pressure Relief Valve	1
15	DC Valve	1
16	Pressure Transmitter	1
17	Flow Control Valve	2
18	Double Acting Cylinder	1
19	LVDT	1
20	High Pressure Hose	2
21	Pump	1
22	Electric Motor	1
23	Bell Housing & Coupling	1
24	Relief Valve	1
25	4/3 Way D.C. Valve	2
26	Junction Box	1
27	Actuators	5

Item Code	Item Description	Qty
1	Tank (Capacity 200 Ltrs )	1
2	Filler Breather	1
3	Level Gauge	1
4	Level Switch	1
5	Drain Valve	1
6	Temperature Gauge	1
7	RTD	1
8	Suction Strainer	2
9	Gear Pump (Duplex)	1
10	Electric Motor	1
11	Bell Housing & Coupling	1
12	Pressure Line Filter	2
13	Pressure Gauge + Transmitter	2
14	Pressure Relief Valve	1
15	DC Valve	1
16	Pressure Transmitter	1
17	Flow Control Valve	2
18	Double Acting Cylinder	1
19	LVDT	1
20	High Pressure Hose	2
21	Pump	1
22	Electric Motor	1
23	Bell Housing & Coupling	1
24	Relief Valve	1
25	4/3 Way D.C. Valve	2
26	Junction Box	1
27	Actuators	5

Item Code	Item Description	Qty
1	Tank (Capacity 200 Ltrs )	1
2	Filler Breather	1
3	Level Gauge	1
4	Level Switch	1
5	Drain Valve	1
6	Temperature Gauge	1
7	RTD	1
8	Suction Strainer	2
9	Gear Pump (Duplex)	1
10	Electric Motor	1
11	Bell Housing & Coupling	1
12	Pressure Line Filter	2
13	Pressure Gauge + Transmitter	2
14	Pressure Relief Valve	1
15	DC Valve	1
16	Pressure Transmitter	1
17	Flow Control Valve	2
18	Double Acting Cylinder	1
19	LVDT	1
20	High Pressure Hose	2
21	Pump	1
22	Electric Motor	1
23	Bell Housing & Coupling	1
24	Relief Valve	1
25	4/3 Way D.C. Valve	2
26	Junction Box	1
27	Actuators	5

Item Code	Item Description	Qty
1	Tank (Capacity 200 Ltrs )	1
2	Filler Breather	1
3	Level Gauge	1
4	Level Switch	1
5	Drain Valve	1
6	Temperature Gauge	1
7	RTD	1
8	Suction Strainer	2
9	Gear Pump (Duplex)	1
10	Electric Motor	1
11	Bell Housing & Coupling	1
12	Pressure Line Filter	2
13	Pressure Gauge + Transmitter	2
14	Pressure Relief Valve	1
15	DC Valve	1
16	Pressure Transmitter	1
17	Flow Control Valve	2
18	Double Acting Cylinder	1
19	LVDT	1
20	High Pressure Hose	2
21	Pump	1
22	Electric Motor	1
23	Bell Housing & Coupling	1
24	Relief Valve	1
25	4/3 Way D.C. Valve	2
26	Junction Box	1
27	Actuators	5

Item Code	Item Description	Qty
1	Tank (Capacity 200 Ltrs )	1
2	Filler Breather	1
3	Level Gauge	1
4	Level Switch	1
5	Drain Valve	1
6	Temperature Gauge	1
7	RTD	1
8	Suction Strainer	2
9	Gear Pump (Duplex)	1
10	Electric Motor	1
11	Bell Housing & Coupling	1
12	Pressure Line Filter	2
13	Pressure Gauge + Transmitter	2
14	Pressure Relief Valve	1
15	DC Valve	1
16	Pressure Transmitter	1
17	Flow Control Valve	2
18	Double Acting Cylinder	1
19	LVDT	1
20	High Pressure Hose	2
21	Pump	1
22	Electric Motor	1
23	Bell Housing & Coupling	1
24	Relief Valve	1
25	4/3 Way D.C. Valve	2
26	Junction Box	1
27	Actuators	5

Item Code	Item Description	Qty
1	Tank (Capacity 200 Ltrs )	1
2	Filler Breather	1
3	Level Gauge	1
4	Level Switch	1
5	Drain Valve	1
6	Temperature Gauge	1
7	RTD	1
8	Suction Strainer	2
9	Gear Pump (Duplex)	1
10	Electric Motor	1
11	Bell Housing & Coupling	1
12	Pressure Line Filter	2
13	Pressure Gauge + Transmitter	2
14	Pressure Relief Valve	1
15	DC Valve	1
16	Pressure Transmitter	1
17	Flow Control Valve	2
18	Double Acting Cylinder	1
19	LVDT	1
20	High Pressure Hose	2
21	Pump	1
22	Electric Motor	1
23	Bell Housing & Coupling	1
24	Relief Valve	1
25	4/3 Way D.C. Valve	2
26	Junction Box	1
27	Actuators	5

Item Code	Item Description	Qty
1	Tank (Capacity 200 Ltrs )	1
2	Filler Breather	1
3	Level Gauge	1
4	Level Switch	1
5	Drain Valve	1
6	Temperature Gauge	1
7	RTD	1
8	Suction Strainer	2
9	Gear Pump (Duplex)	1
10	Electric Motor	1
11	Bell Housing & Coupling	1
12	Pressure Line Filter	2
13	Pressure Gauge + Transmitter	2
14	Pressure Relief Valve	1
15	DC Valve	1
16	Pressure Transmitter	1
17	Flow Control Valve	2
18	Double Acting Cylinder	1
19	LVDT	1
20	High Pressure Hose	2
21	Pump	1
22	Electric Motor	1
23	Bell Housing & Coupling	1
24	Relief Valve	1
25	4/3 Way D.C. Valve	2
26	Junction Box	1
27	Actuators	5

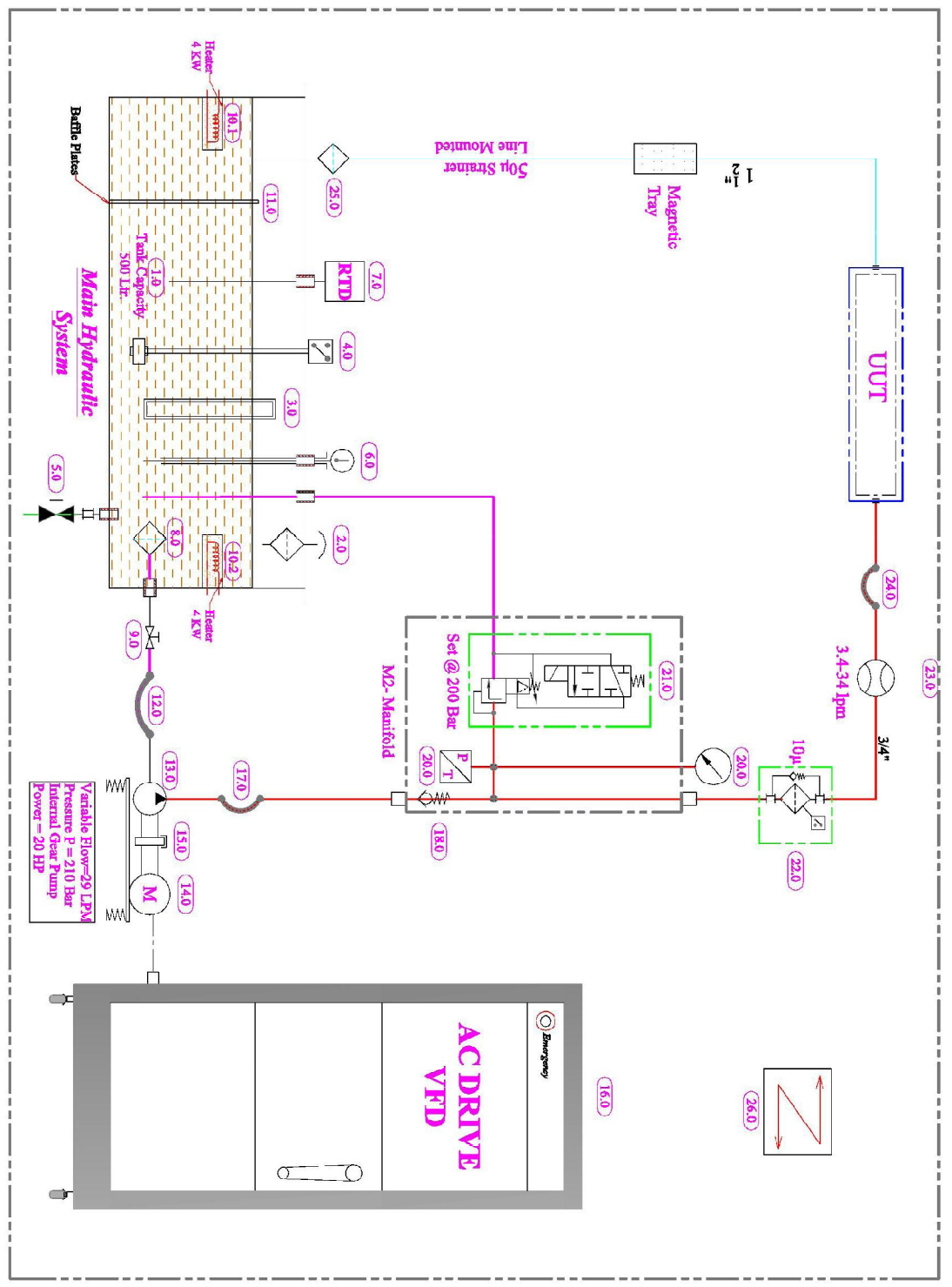
Item Code	Item Description	Qty
1	Tank (Capacity 200 Ltrs )	1
2	Filler Breather	1
3	Level Gauge	1
4	Level Switch	1
5	Drain Valve	1
6	Temperature Gauge	1
7	RTD	1
8	Suction Strainer	2
9	Gear Pump (Duplex)	1
10	Electric Motor	1
11	Bell Housing & Coupling	1
12	Pressure Line Filter	2
13	Pressure Gauge + Transmitter	2
14	Pressure Relief Valve	1
15	DC Valve	1
16	Pressure Transmitter	1
17	Flow Control Valve	2
18	Double Acting Cylinder	1
19	LVDT	1
20	High Pressure Hose	2
21	Pump	1
22	Electric Motor	1
23	Bell Housing & Coupling	1
24	Relief Valve	1
25	4/3 Way D.C. Valve	2
26	Junction Box	1
27	Actuators	5

Item Code	Item Description	Qty
1	Tank (Capacity 200 Ltrs )	1
2	Filler Breather	1
3	Level Gauge	1
4	Level Switch	1
5	Drain Valve	1
6	Temperature Gauge	1
7	RTD	1
8	Suction Strainer	2
9	Gear Pump (Duplex)	1
10	Electric Motor	1
11	Bell Housing & Coupling	1
12	Pressure Line Filter	2
13	Pressure Gauge + Transmitter	2
14	Pressure Relief Valve	1
15	DC Valve	1
16	Pressure Transmitter	1
17	Flow Control Valve	2
18	Double Acting Cylinder	1
19	LVDT	1
20	High Pressure Hose	2
21	Pump	1
22	Electric Motor	1
23	Bell Housing & Coupling	1
24	Relief Valve	1
25	4/3 Way D.C. Valve	2
26	Junction Box	1
27	Actuators	5

Item Code	Item Description	Qty
1	Tank (Capacity 200 Ltrs )	1
2	Filler Breather	1
3	Level Gauge	1
4	Level Switch	1
5	Drain Valve	1
6	Temperature Gauge	1
7	RTD	1
8	Suction Strainer	2
9	Gear Pump (Duplex)	1
10	Electric Motor	1
11	Bell Housing & Coupling	1
12	Pressure Line Filter	2
13	Pressure Gauge + Transmitter	2
14	Pressure Relief Valve	1
15	DC Valve	1
16		

THE PROPERTY OF ANOMERITIX ENGINEERING PVT. LTD.  
 USE OF THIS DWG. OR MAKING PRODUCT AS PER THIS DWG.  
 PERMISSION OR ANY OTHER MISUSE IS NOT PERMITTED.

With Base Frame



COLOR	SIZE
Light Blue	1 1/2" PIPE
Light Green	1/2" PIPE
Red	3/4" PIPE
Pink	1" PIPE
Orange	1 1/4" PIPE

26	Junction Box	1
25	Strainer	1
24	High Pressure Hose	1
23	Flow meter	1
22	Pressure line Filter 10Micron	1
21	Unloading Valve	1
20	Pressure Transmitter	1
19	Pressure Gauge (0-280bar)	1
18	NRV- Subplate	1
17	High Pressure Hose	1
16	Variable Freq. Drive	1
15	Bell Housing & Coupling	1
14	Electric Motor	1
13	Internal Gear Pump	1
12	Suction Hose	2
11	Baffle Plate	1
10	Heater	2
9	Suction Ball Valve	1
8	Suction Strainer	1
7	RTD	1
6	Temperature Gauge	1
5	Drain Valve	1
4	Temperature Gauge	1
3	Level Gauge	1
2	Filler Breather	1
1	Tank (Capacity 500 Lrs )	1

Item Code.	Item Description	Qty.
------------	------------------	------

NO.	REVISION	DATE	BY	CHKD.
1				

NO.	REVISION	DATE	BY	CHKD.
1				

Oil (Model No BHP2731)  
 viscosity @40 Deg C = 90 cst  
 viscosity @100 Deg C = 10.5-12cst  
 density @29.5 Deg C = 0.825g/cm2

Brak  
 Vis  
 Vis  
 De

2 3 4 5 6 7 8 9 10 11 12