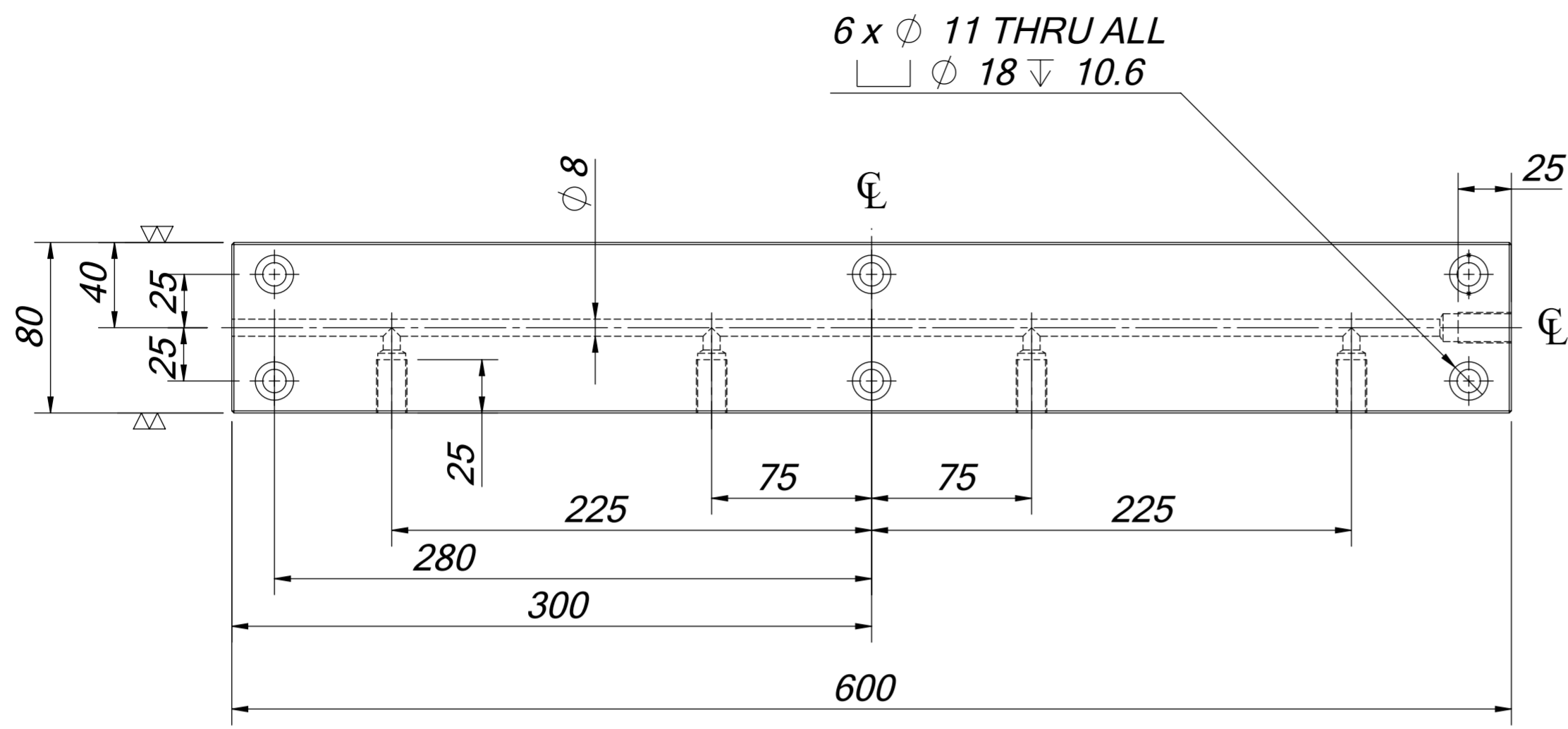
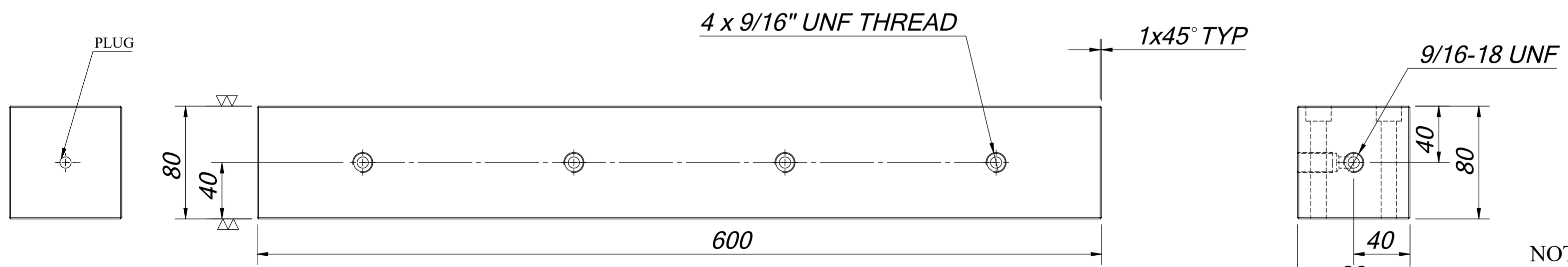
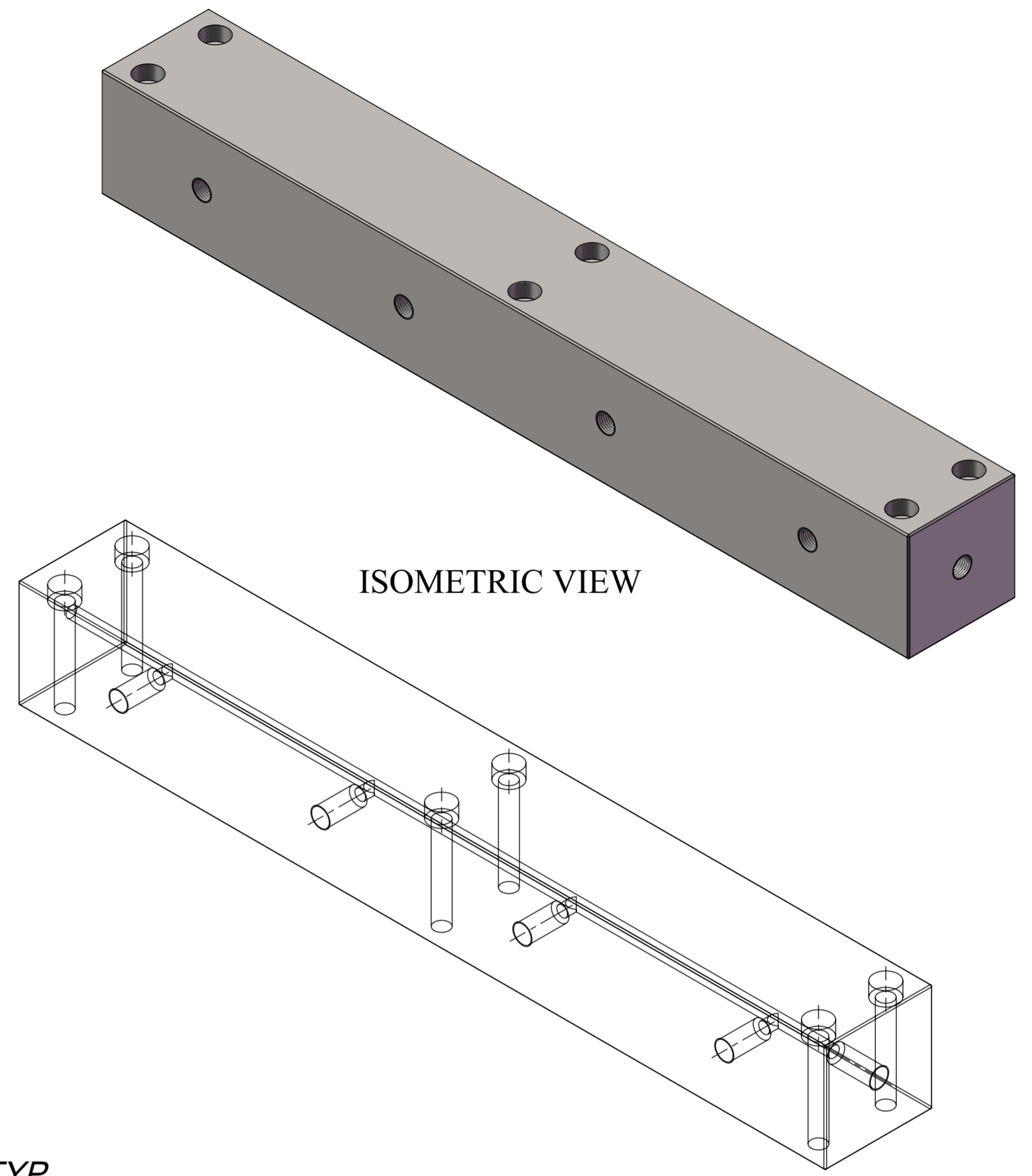


THIS DWG. IS SOLE PROPERTY OF NEOMETRIX ENGINEERING PVT. LTD. UNAUTHORISED USE OF THIS DWG. OR MAKING PRODUCT AS PER THIS DWG. WITHOUT OUR PERMISSION OR ANY OTHER MISUSE IS NOT PERMITTED.



TOP VIEW



FRONT VIEW

- NOTE:-
1. ALL DIMENSIONS ARE IN MM.
  2. MATERIAL- SS-304
  3. TOTAL WEIGHT- 30 Kg.
  4. ALL SHARP & EDGE ARE REMOVE.

<b>NEOMETRIX</b>				NEOMETRIX ENGINEERING PVT LTD E-148, SECTOR 63, NOIDA, UP-201301 Tel No.: 0120 4500800 Fax No.: 0120 4500888 E-mail: contact@neometrixgroup.com Design Dept.: design@neometrixgroup.com			
TITLE	PRESSURE TEST BENCH			QA No.			
SUB-TITLE	MANIFOLD-1			Cross Ref Doc No.:			
SRS CODE	A3101			Customer Dwg Ref No.			
CUSTOMER	Logo			NOTE:			
END USER	Logo						
TD/PO. No.	--			DATED			
PROJECTION	DRWN	M.F	09/11/2022	SIZE	SCALE	SHEET No	OF
	CHK.	S.K	09/11/2022	A3	NFS	01	01
	APPR.	S.P.S	09/11/2022	NEO DWG No.		REV	
				T-PED-A3101-MDWG-MANIFOLD		00	