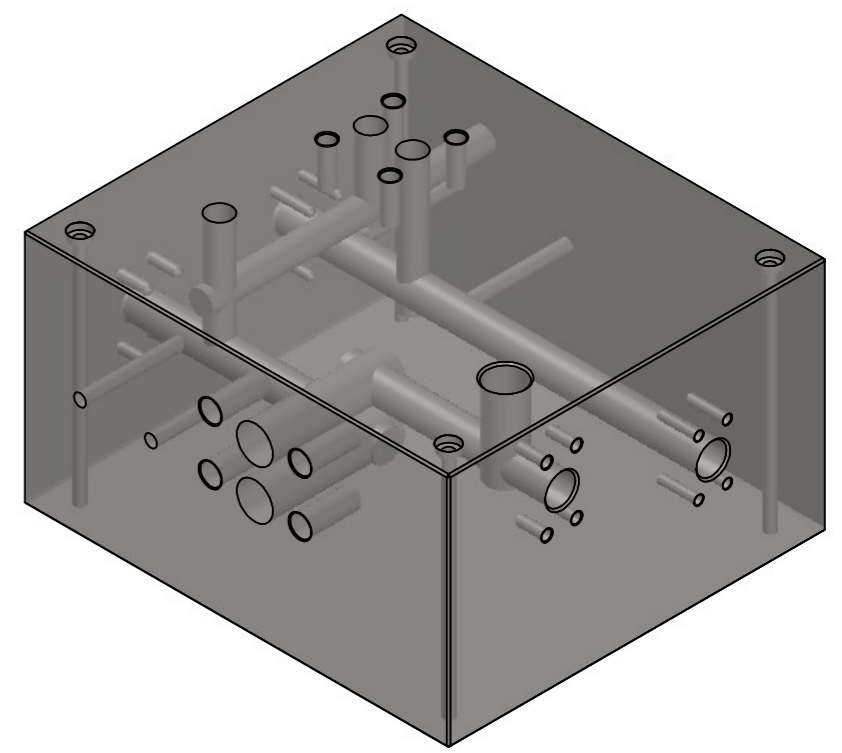
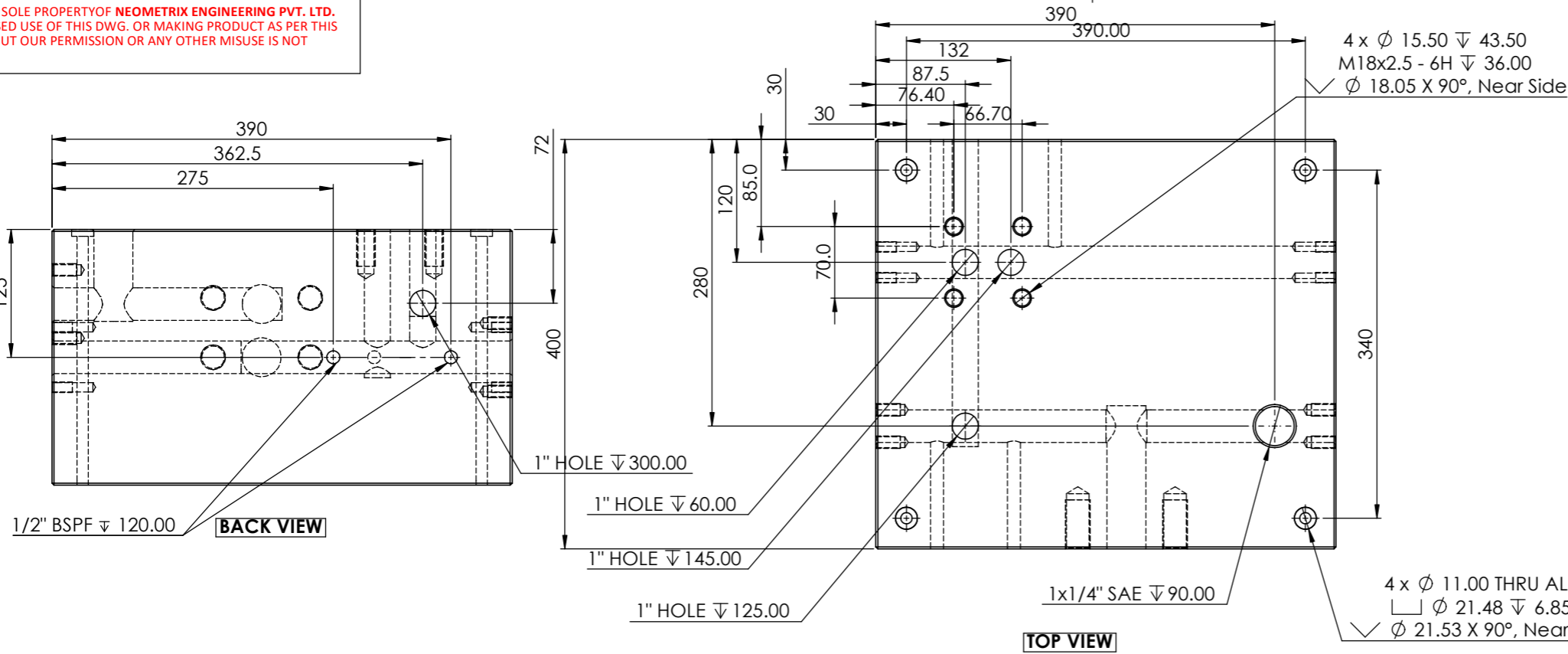
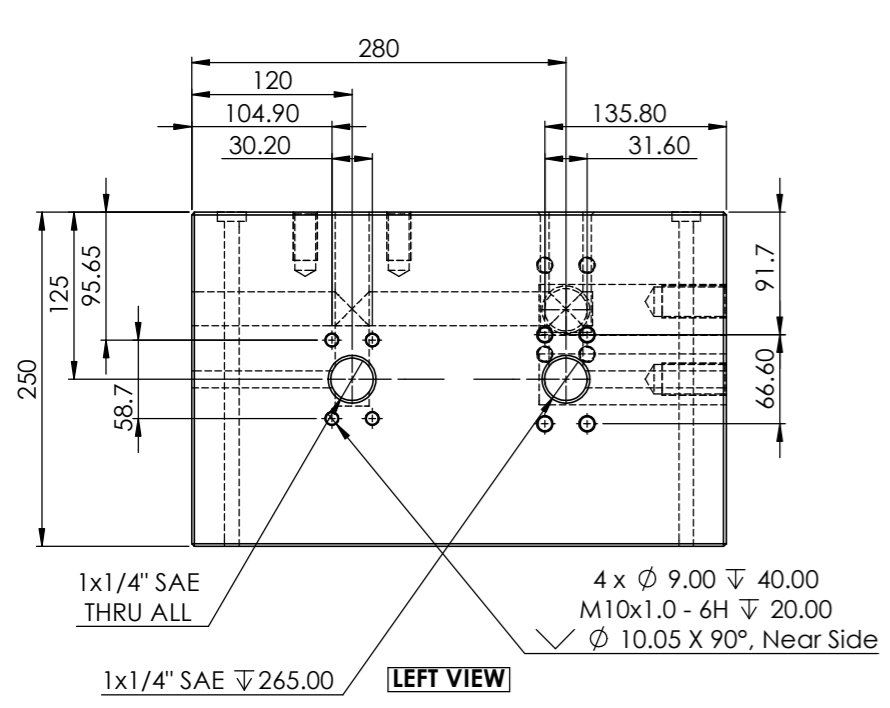


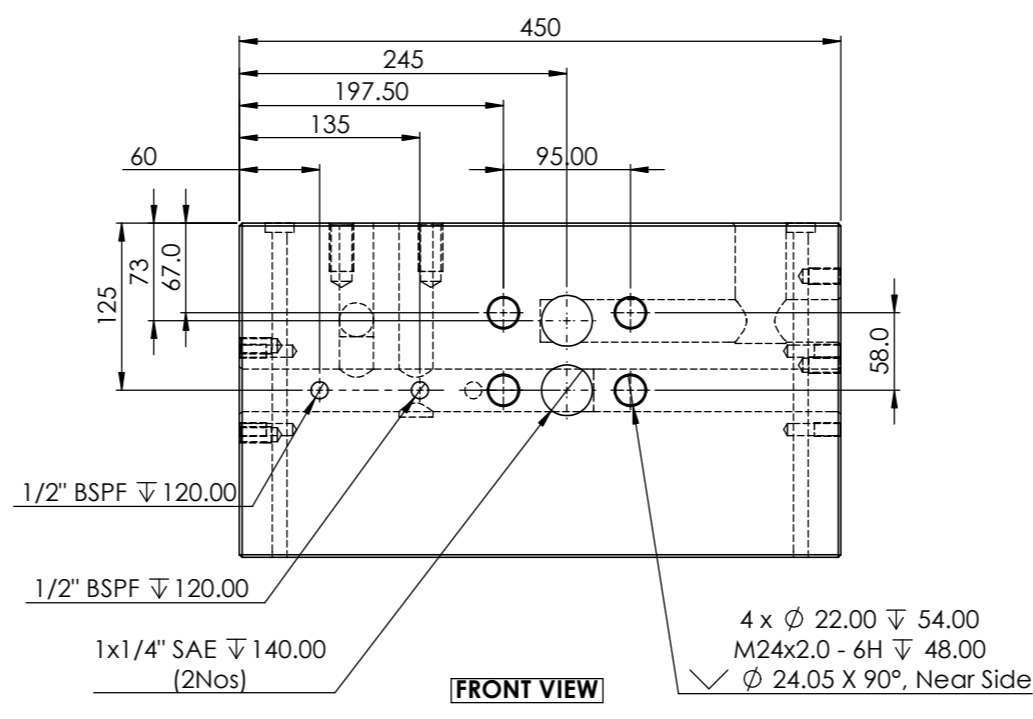
THIS DWG. IS SOLE PROPERTY OF NEOMETRIX ENGINEERING PVT. LTD. UNAUTHORISED USE OF THIS DWG. OR MAKING PRODUCT AS PER THIS DWG. WITHOUT OUR PERMISSION OR ANY OTHER MISUSE IS NOT PERMITTED.



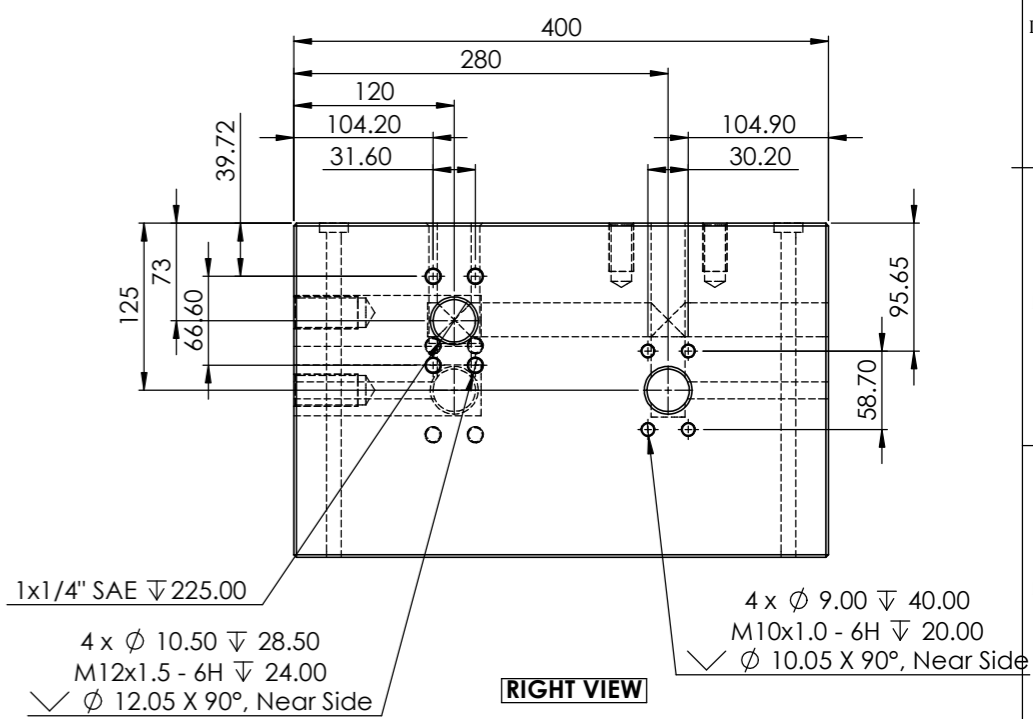
ISOMETRIC VIEW



LEFT VIEW



FRONT VIEW



RIGHT VIEW

MANIFOLD

- NOTE:**
- All dimensions are in mm, unless otherwise specified.
 - Material: MS
 - Qty: 1 Nos.
 - Weight: 338.56 kg (Approax.)
 - Sharp edges should be removed.

NEOMETRIX
 NEOMETRIX ENGINEERING PVT LTD
 E-148, SECTOR 63, NOIDA, UP-201301
 Tel No.: 0120 4500800
 Fax No.: 0120 4500888
 E-mail: contact@neometrixgroup.com
 Design Dept.: design@neometrixgroup.com

TITLE	POWER PACK		QA No.	
SUB-TITLE	HIGH PRESSURE MANIFOLD		Cross Ref Doc No.:	
SRS CODE	A3868		Customer Dwg Ref No.	
CUSTOMER	Logo	--	NOTE:	
END USER		--		
TD/PO. No.	--	DATED		
PROJECTION	DRWN	A.K.	28/03/2023	SIZE
CHK.	P.N.		28/03/2023	SCALE
APPR.	S.P.S		28/03/2023	SHEET
				No
				Of
				01
				01
				NEO DWG No.
				T-PED-A3868-MDWG-HP MANIFOLD
				REV
				00