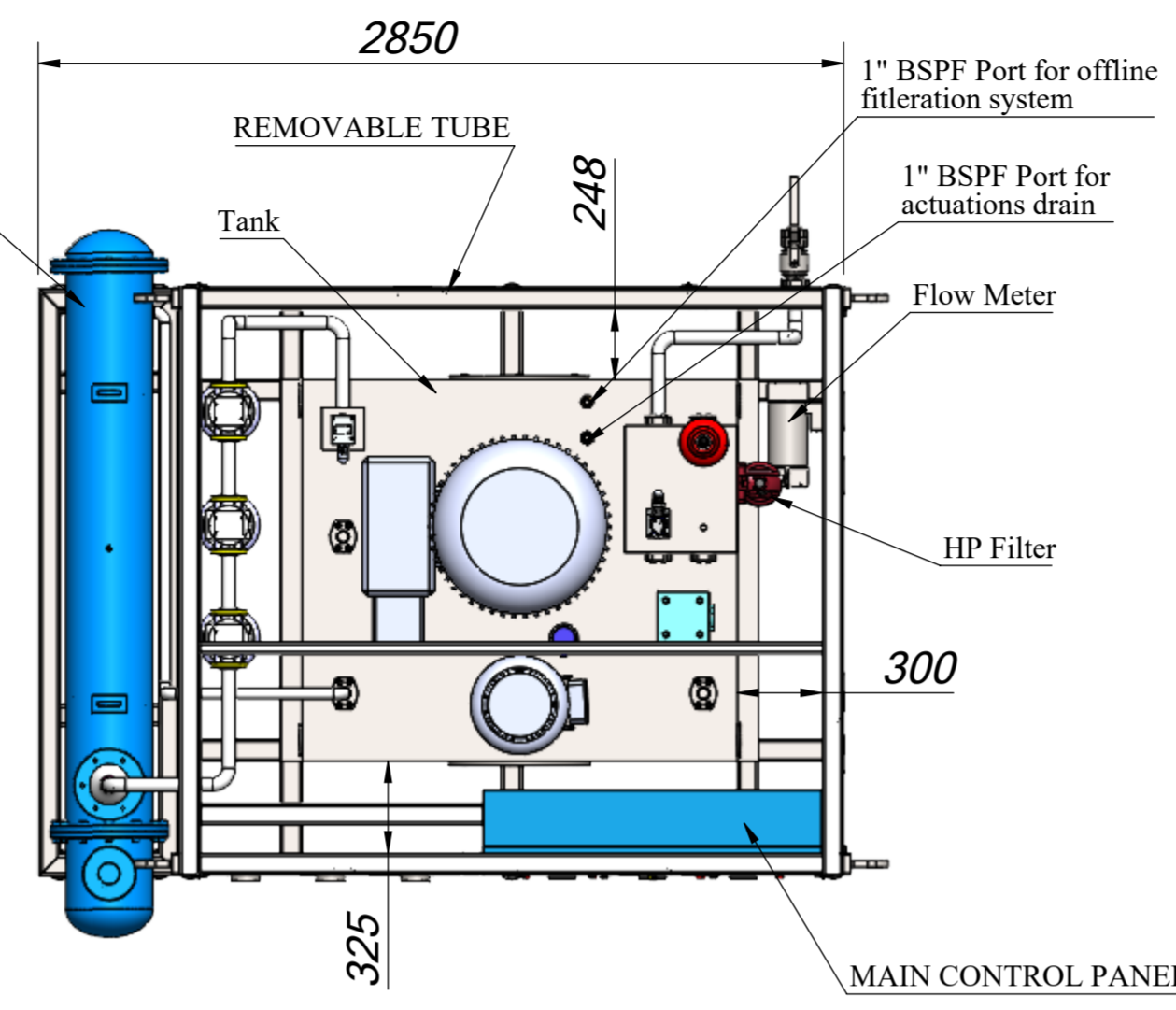
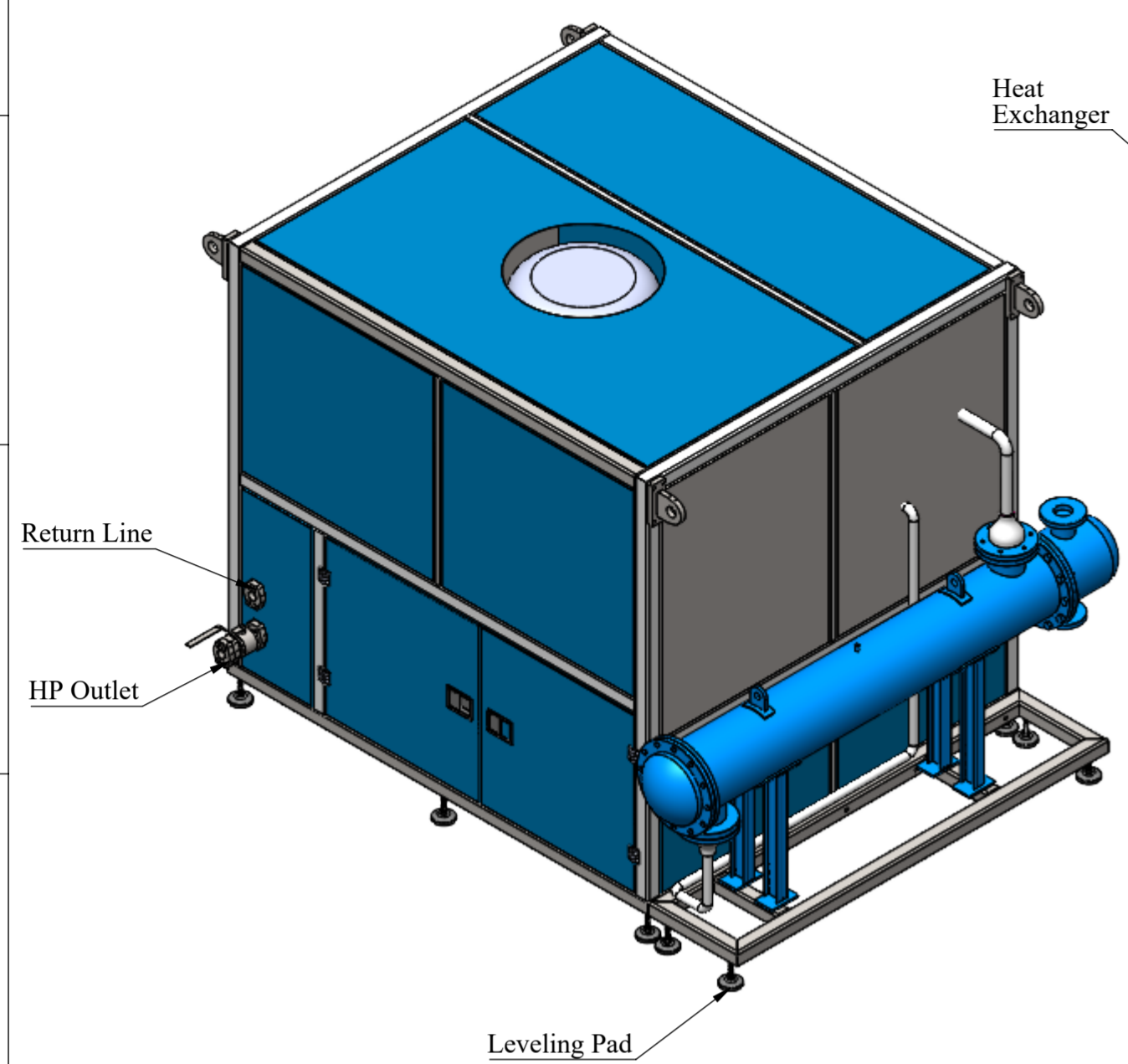
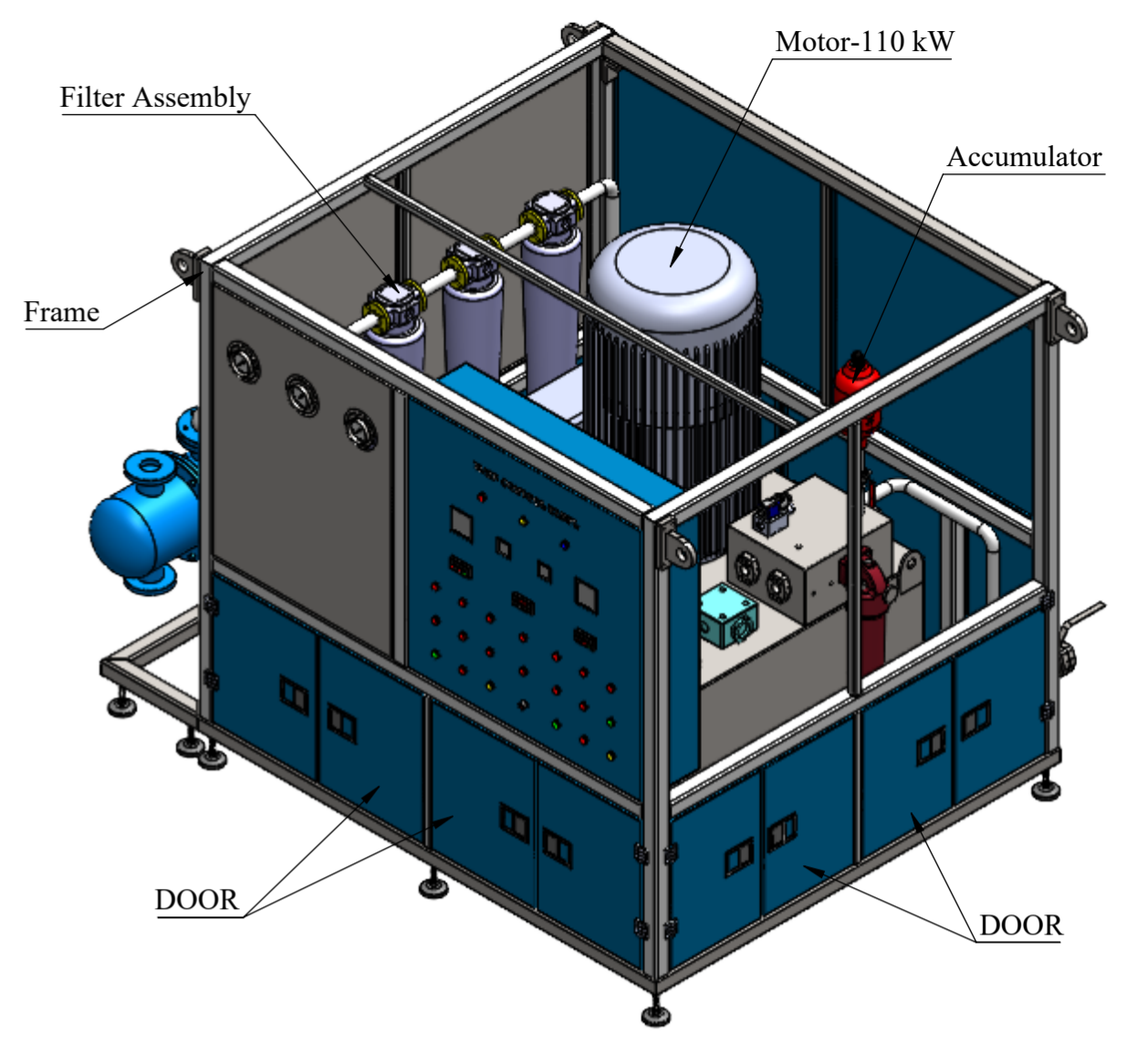


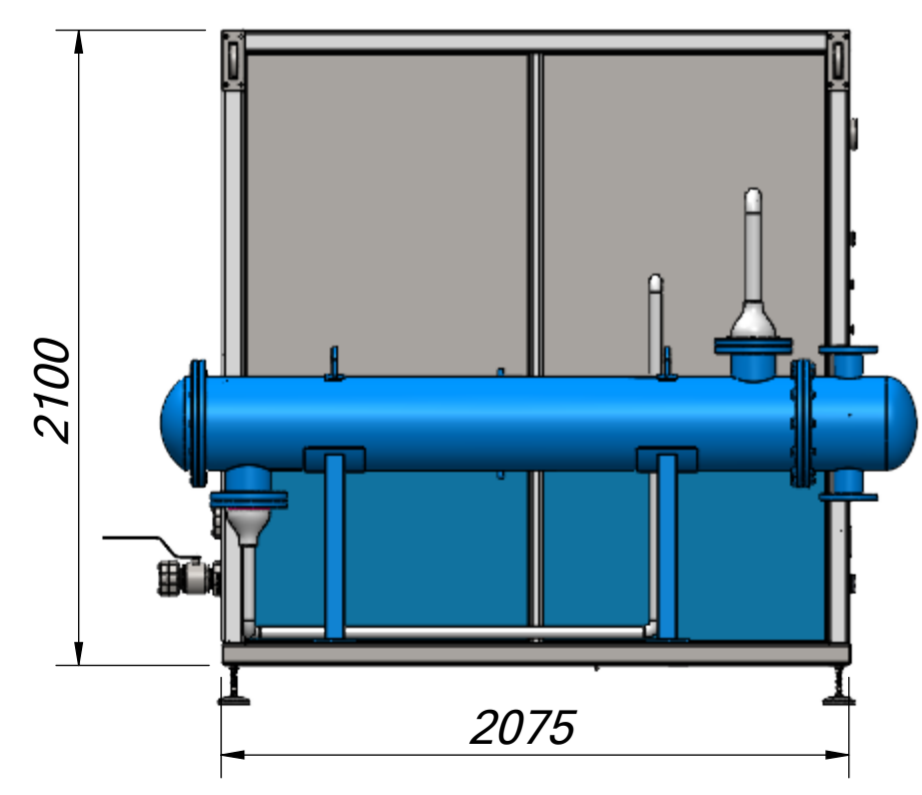
THIS DWG. IS SOLE PROPERTY OF NEOMETRIX ENGINEERING PVT. LTD. UNAUTHORISED USE OF THIS DWG. OR MAKING PRODUCT AS PER THIS DWG. WITHOUT OUR PERMISSION OR ANY OTHER MISUSE IS NOT PERMITTED.



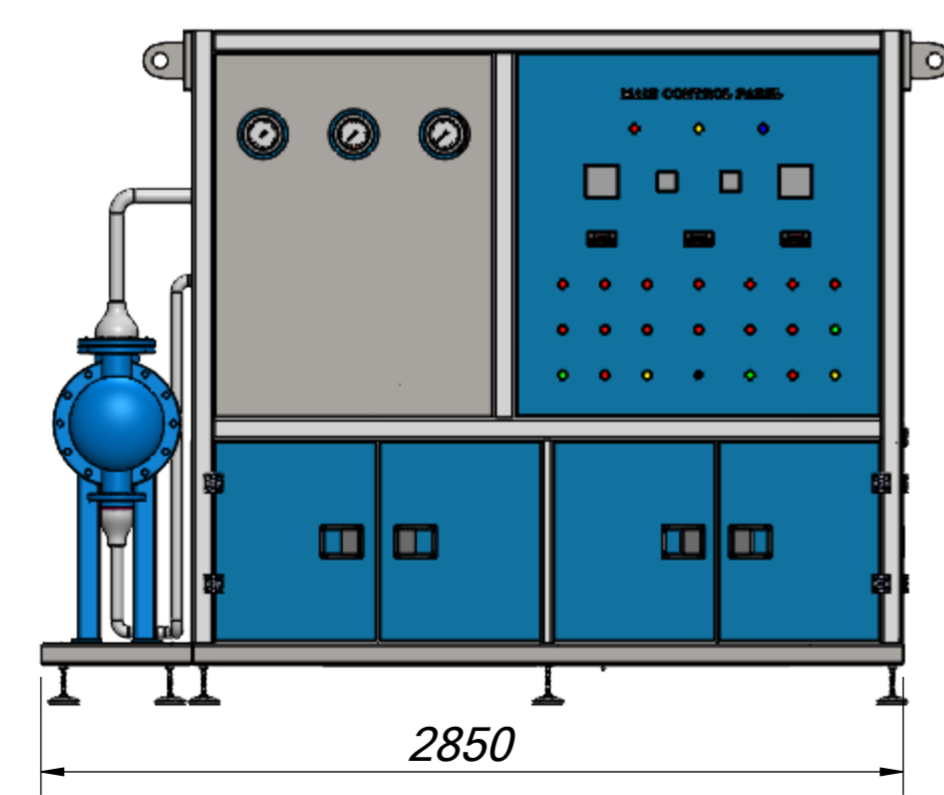
TOP VIEW



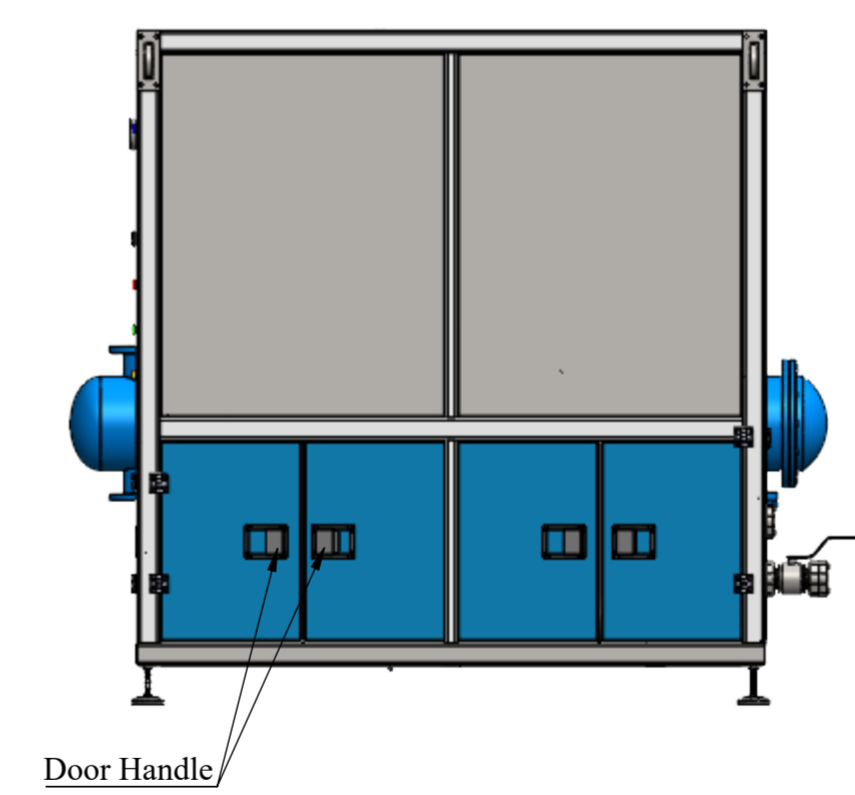
ISOMETRIC VIEW



LEFT VIEW



FRONT VIEW



RIGHT VIEW

NOTE:-  
1. ALL DIMENSIONS ARE IN MM.

<b>NEOMETRIX</b>		NEOMETRIX ENGINEERING PVT LTD E-148, SECTOR 63, NOIDA, UP-201301 Tel No.: 0120 4500800 Fax No.: 0120 4500888 E-mail: contact@neometrixgroup.com Design Dept.: design@neometrixgroup.com	
TITLE	HYDRAULIC POWER PACK 230LPM/210 BAR		
SUB-TITLE	GA DRAWING		
SRS CODE	A3868		
CUSTOMER	--		
END USER	--		
TD/PO. No.	--		
PROJECTION	DRWN	M.F	30/05/2023
	CHK.	P.K	30/05/2023
	APPR.	S.P.S	30/05/2023
SIZE	SCALE	SHEET No	OF
A3	NFS	01	01
DATED		NEO DWG No.	
		T-PED-A3868-GADWG-HPP	
QA No.			REV
Cross Ref Doc No.:			04
Customer Dwg Ref No.			
NOTE :			