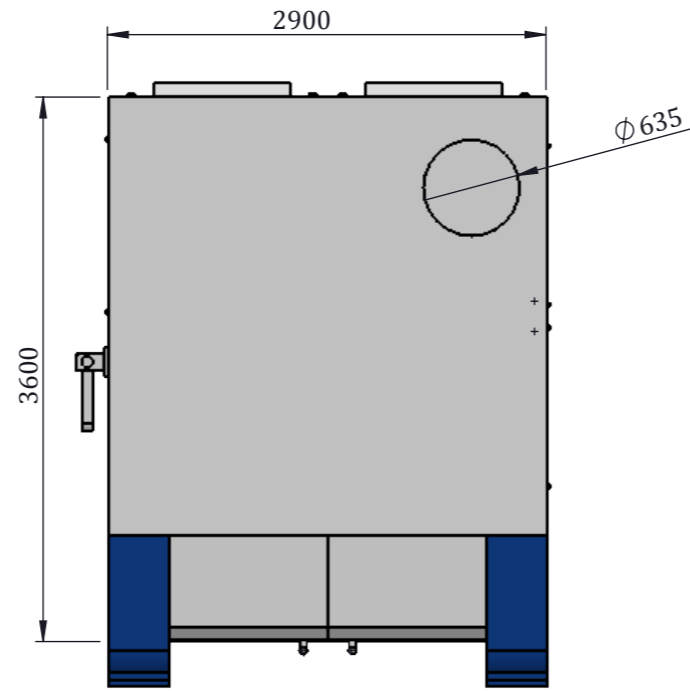
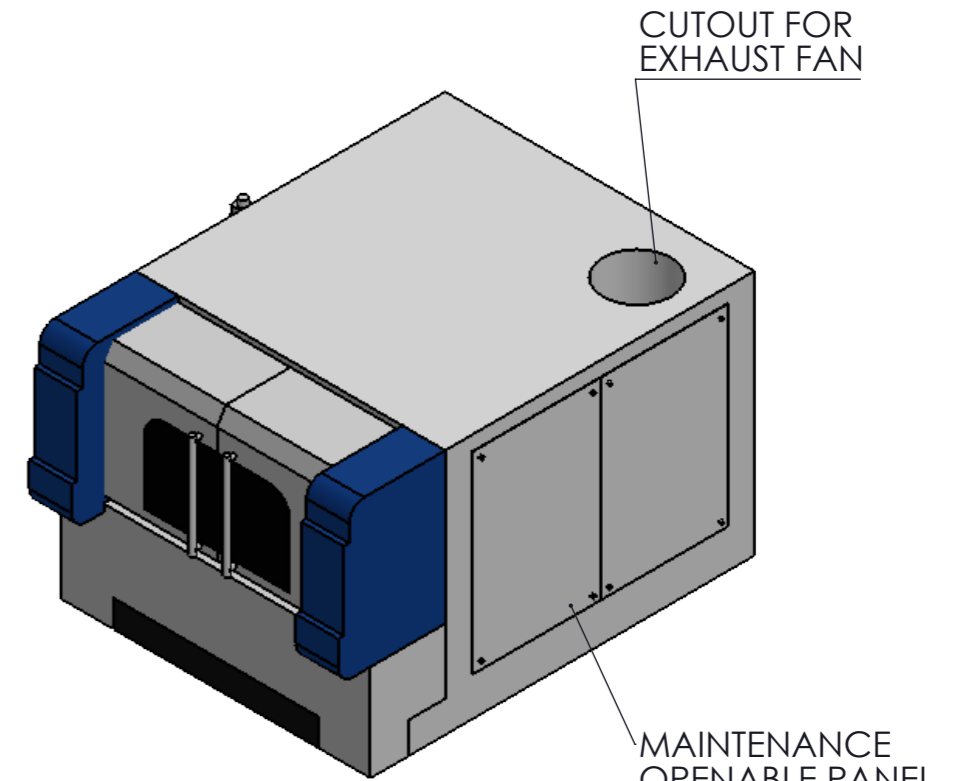


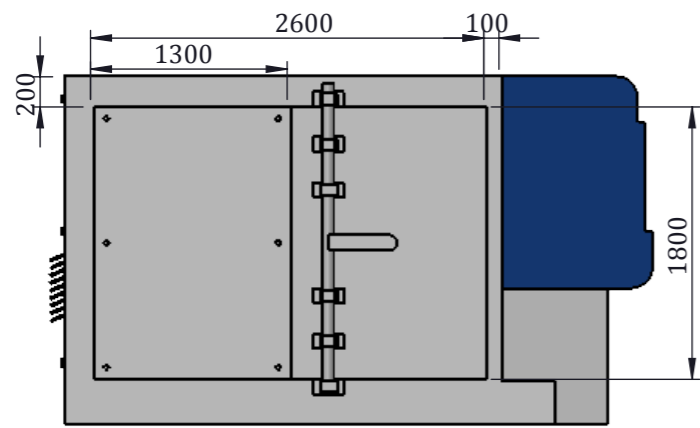
THIS DWG. IS SOLE PROPERTY OF NEOMETRIX ENGINEERING PVT. LTD.  
 UNAUTHORISED USE OF THIS DWG. OR MAKING PRODUCT AS PER THIS  
 DWG. WITHOUT OUR PERMISSION OR ANY OTHER MISUSE IS NOT  
 PERMITTED.



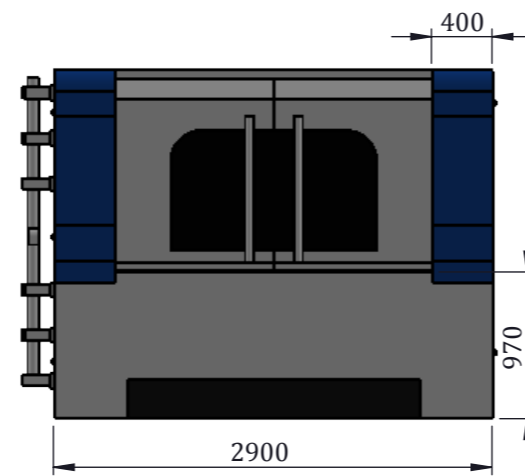
TOP VIEW



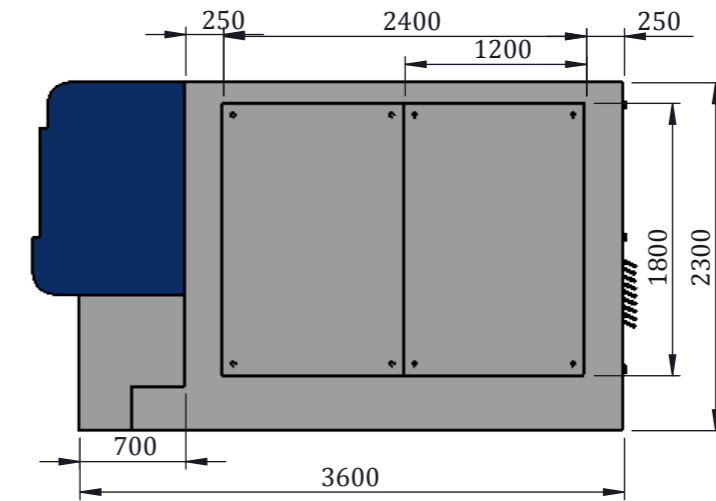
ISOMETRIC VIEW



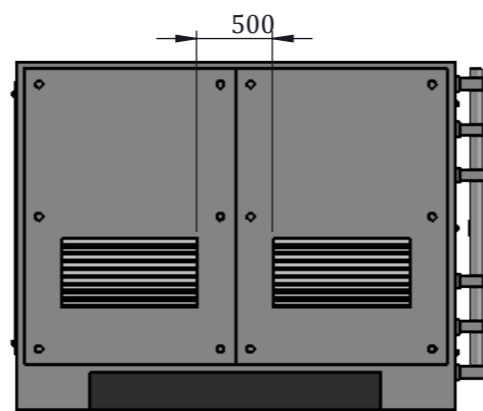
RIGHT VIEW



FRONT VIEW



LEFT VIEW



BACK VIEW

		NEOMETRIX ENGINEERING PVT. LTD.	
		E-148, Sector-63, Noida, UP-201301	
www.neometrixgroup.com		Tel. No. :- 0120-4500800	
		Fax No. :- 0120-4500888	
		Email :- contact@neometrixgroup.com	
MAIN TITLE	350 kW VALVE TEST STAND	QA No.	
SUB - TITLE	PANEL ENCLOSURE	Cross Ref. Doc. No.	
CODE	A1811	Customer Dwg./Ref. No.	
CUSTOMER	----	Note :	
END USER	----		
PO. NO.	----		
PROJECTION	DRAWN BY & DATE	ZA	29/07/2019
	CHECKED BY & DATE	PT	29/07/2019
	APPROVED BY & DATE	S.P.S	29/07/2019
Size	Scale	Sheet No.	NEO. DWG. No.
A3	NTS	01/01	T-PED-A1811-GADWG-PANEL ENCLOSURE
			REV
			00