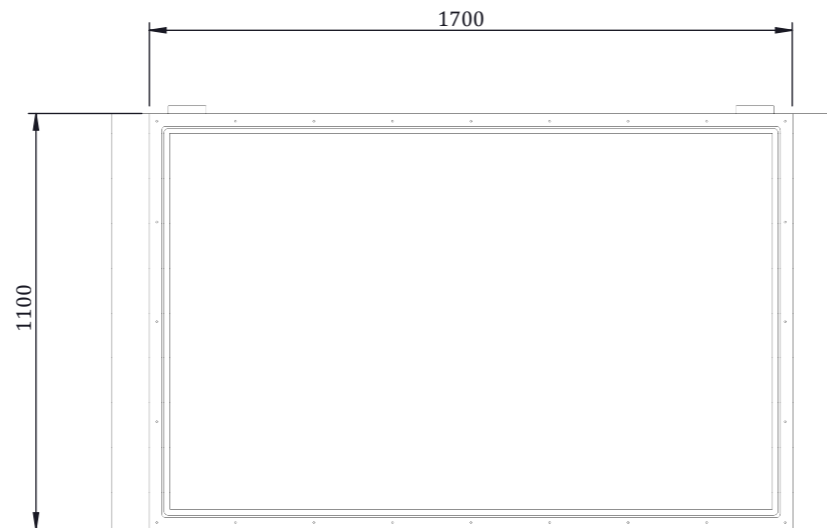
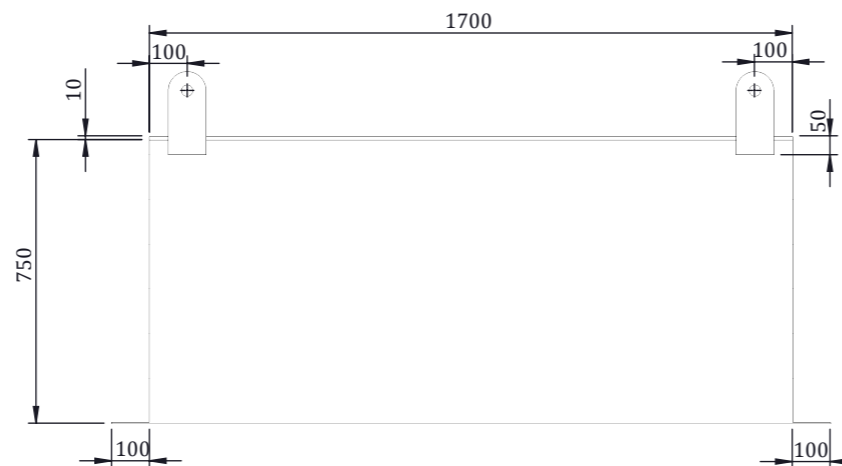


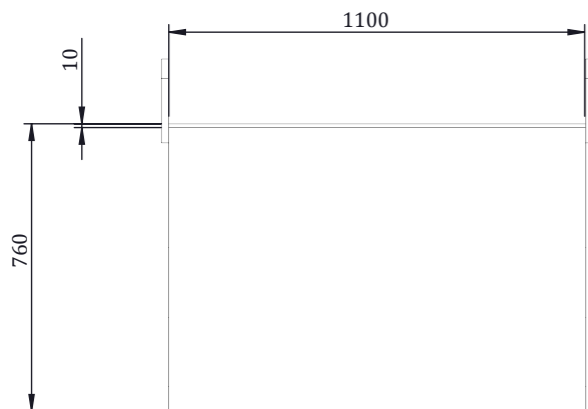
THIS DWG. IS SOLE PROPERTY OF NEOMETRIX ENGINEERING PVT. LTD. UNAUTHORISED USE OF THIS DWG. OR MAKING PRODUCT AS PER THIS DWG. WITHOUT OUR PERMISSION OR ANY OTHER MISUSE IS NOT PERMITTED.



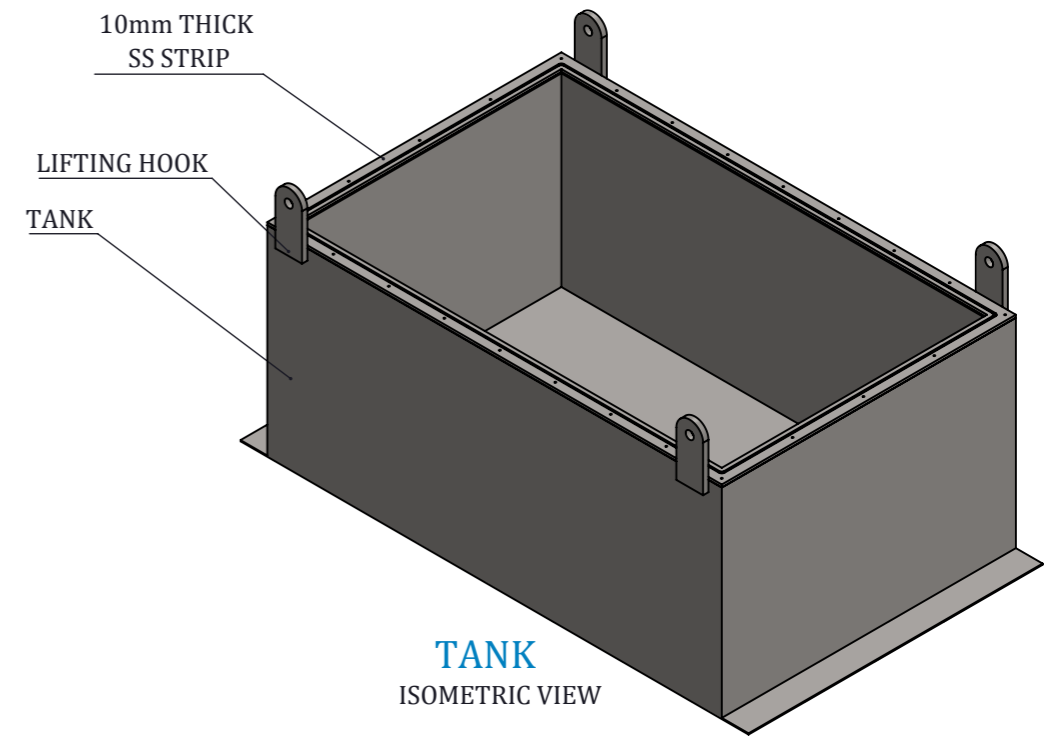
TOP VIEW



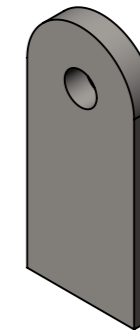
FRONT VIEW



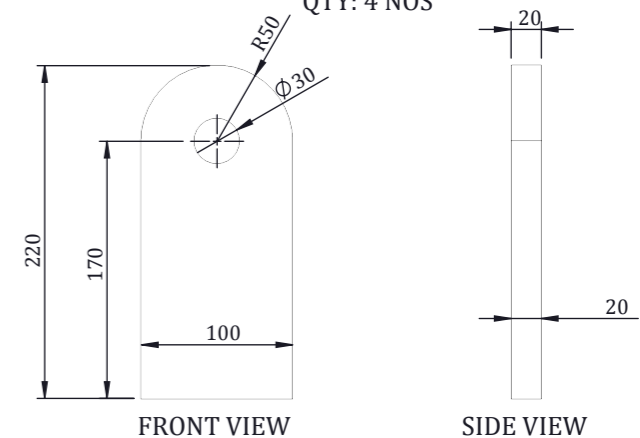
SIDE VIEW



TANK
ISOMETRIC VIEW

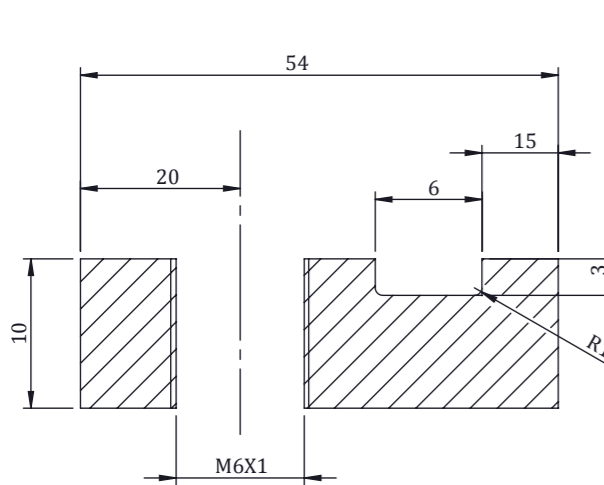


LIFTING HOOK
ISOMETRIC VIEW
QTY: 4 NOS

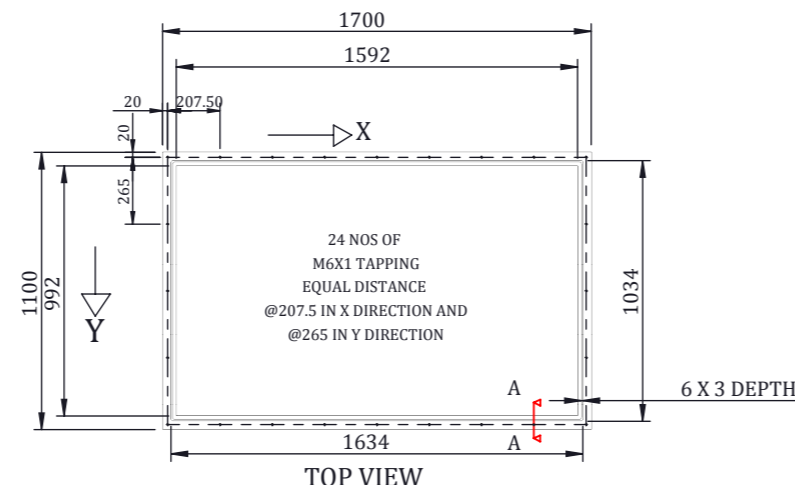


FRONT VIEW

SIDE VIEW



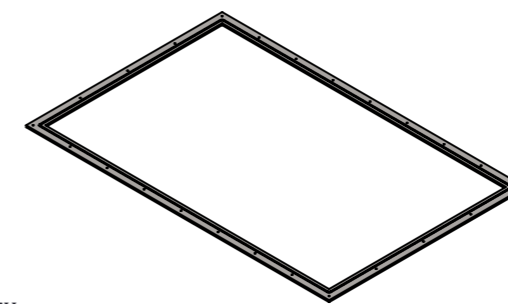
SECTION A



TOP VIEW



FRONT VIEW



SS STRIP
ISOMETRIC VIEW
SS STRIP

- NOTE:
1. ALL DIMENSIONS ARE INmm.
 2. MATERIAL: SS 304.
 3. THICKNESS: 4 mm.
 4. WEIGHT: 244 kg.

+++ NEOMETRIX www.neometrixgroup.com		NEOMETRIX ENGINEERING PVT. LTD. E-148, Sector-63, Noida, UP-201301 Tel. No. :- 0120-4500800 Fax No. :- 0120-4500888 Email :- contact@neometrixgroup.com	
PROJECTION	DRAWN BY & DATE	SRK	13/12/2019
	CHECKED BY & DATE	PT	13/12/2019
	APPROVED BY & DATE	S.P.S	13/12/2019
Size	Scale	Sheet No.	01
A3	NTS	01	01
MAIN TITLE			QA No.
SUB - TITLE			Cross Ref. Doc. No.
CODE			Customer Dwg./Ref. No.
CUSTOMER			Note :
END USER			
PO. NO.			
NEO. DWG. No.		REV	
T-PED-A1811-MDWG-TANK		01	