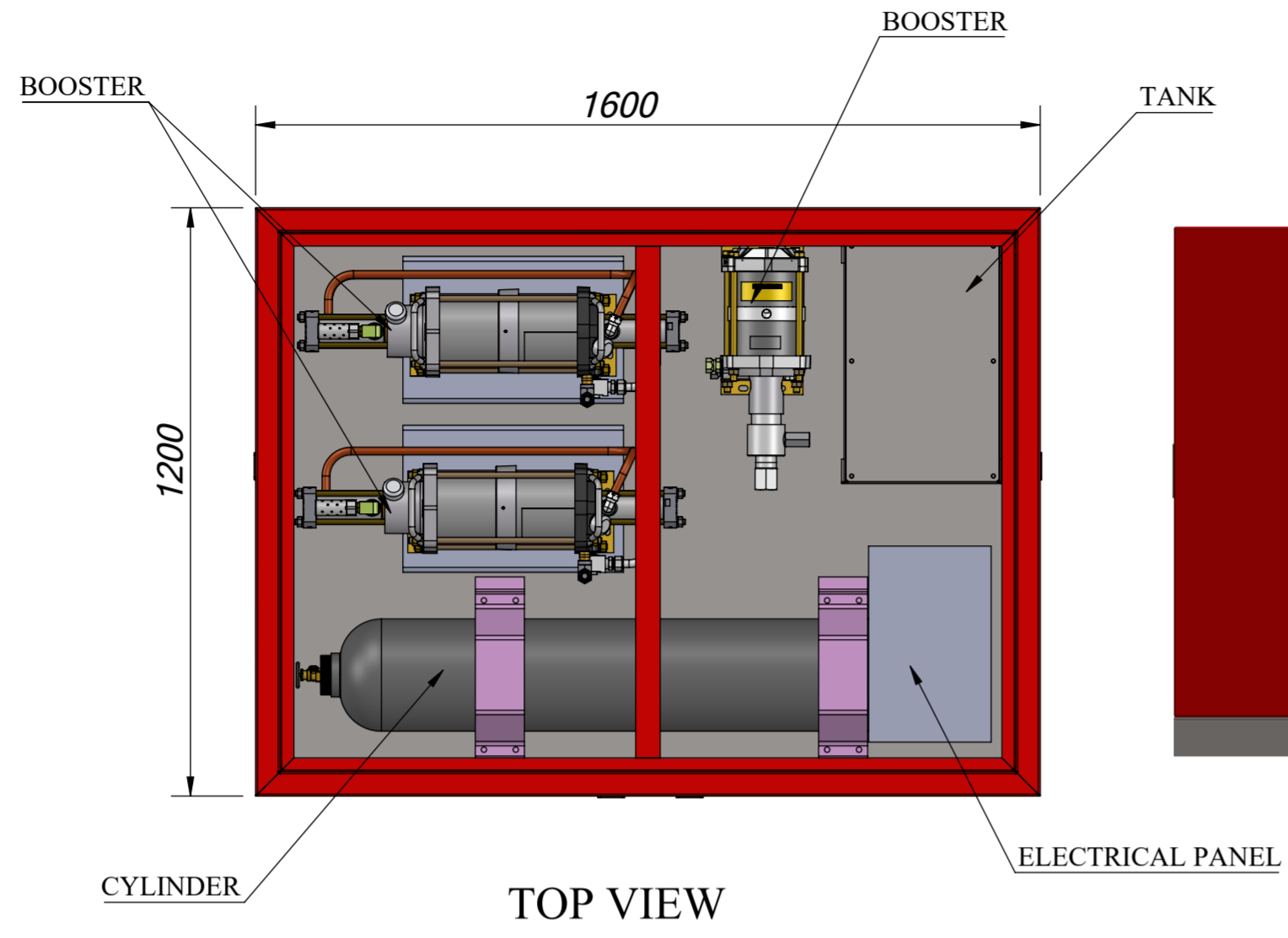


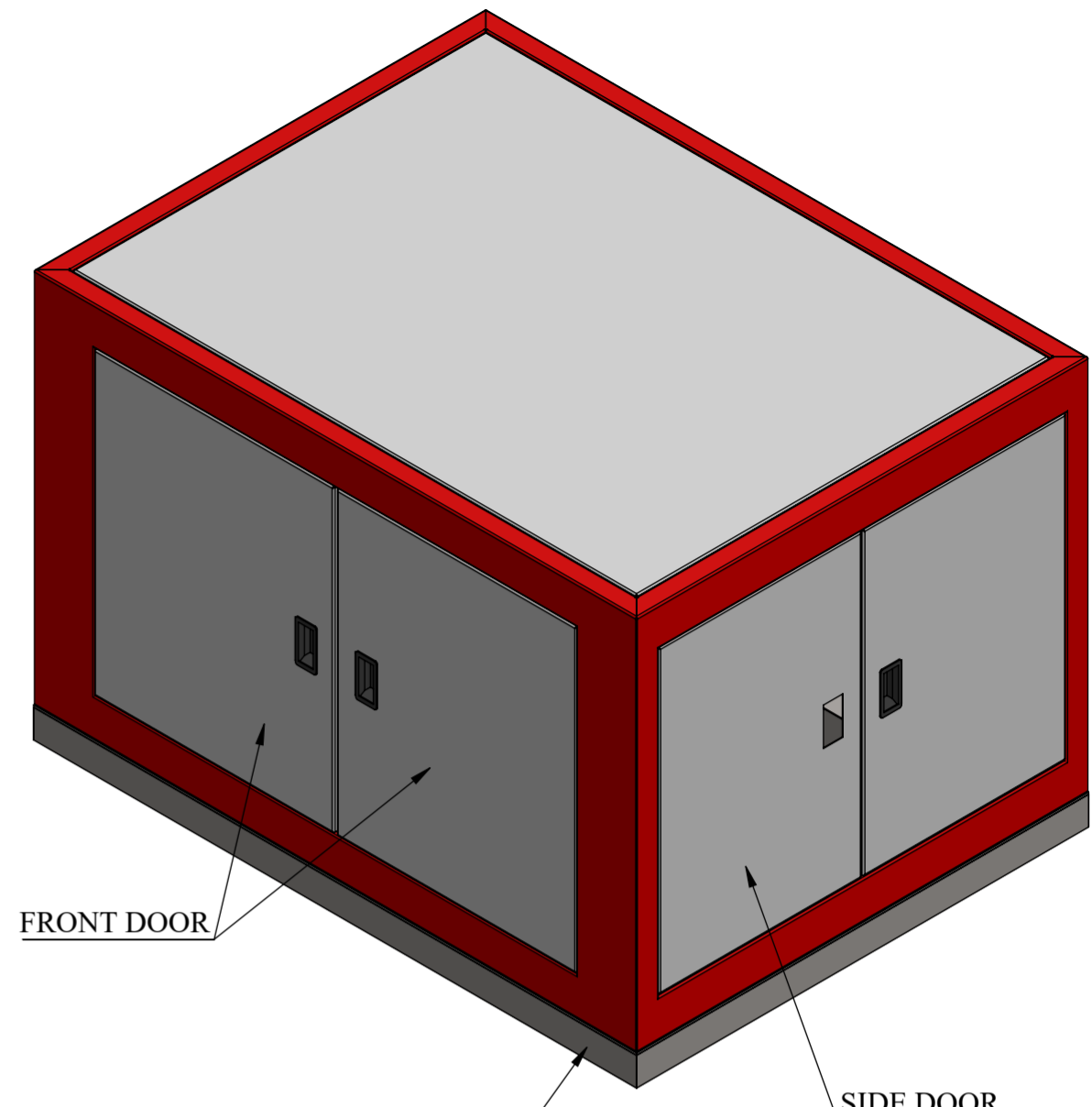
THIS DWG. IS SOLE PROPERTY OF PASKALS FLUID SYSTEM PVT. LTD. UNAUTHORISED USE OF THIS DWG. OR MAKING PRODUCT AS PER THIS DWG. WITHOUT OUR PERMISSION OR ANY OTHER MISUSE IS NOT PERMITTED.



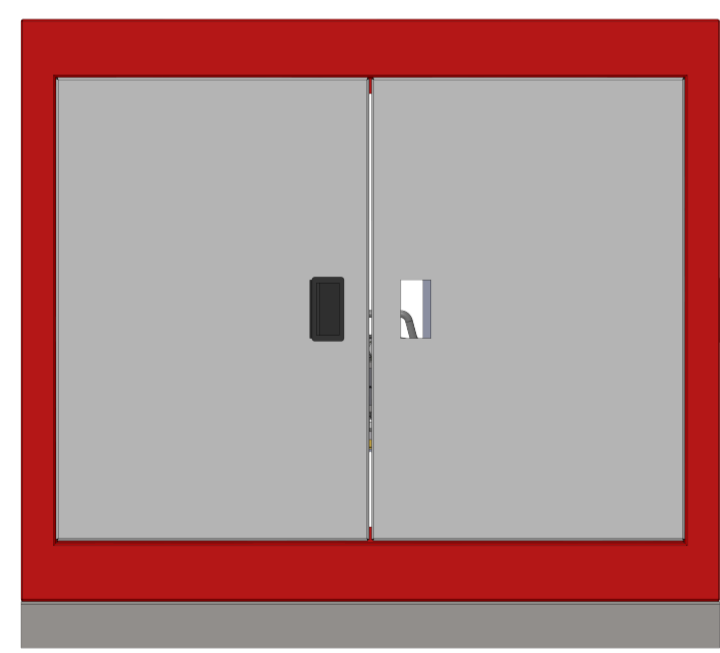
TOP VIEW



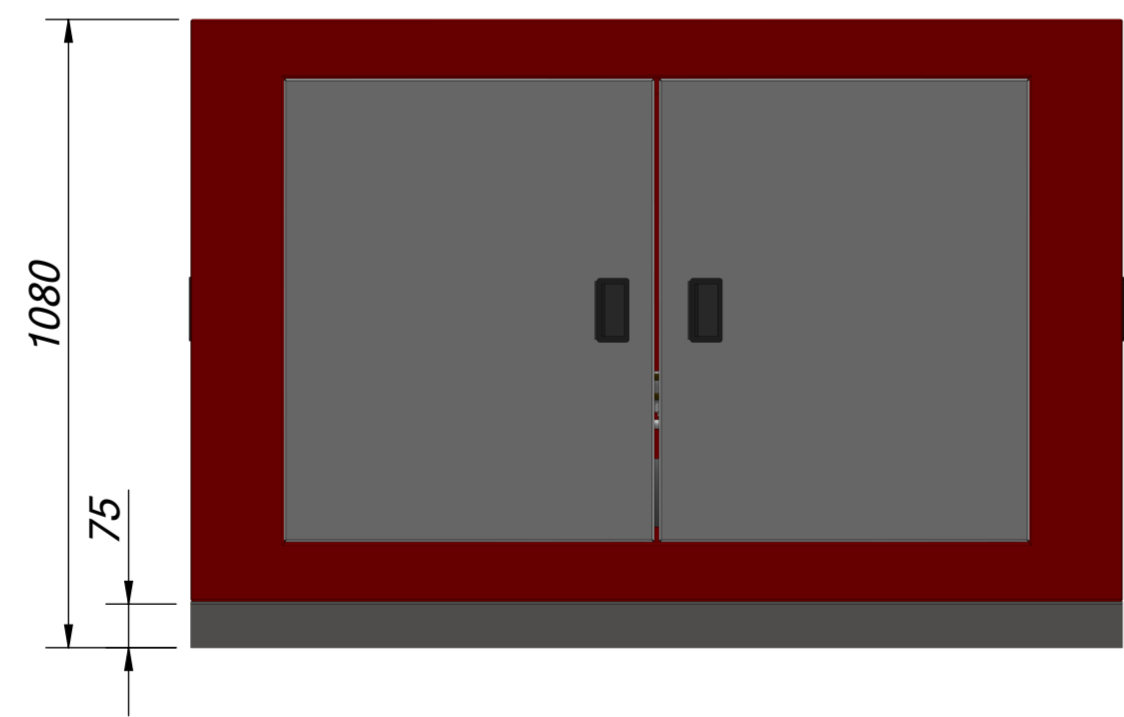
BACK SIDE VIEW



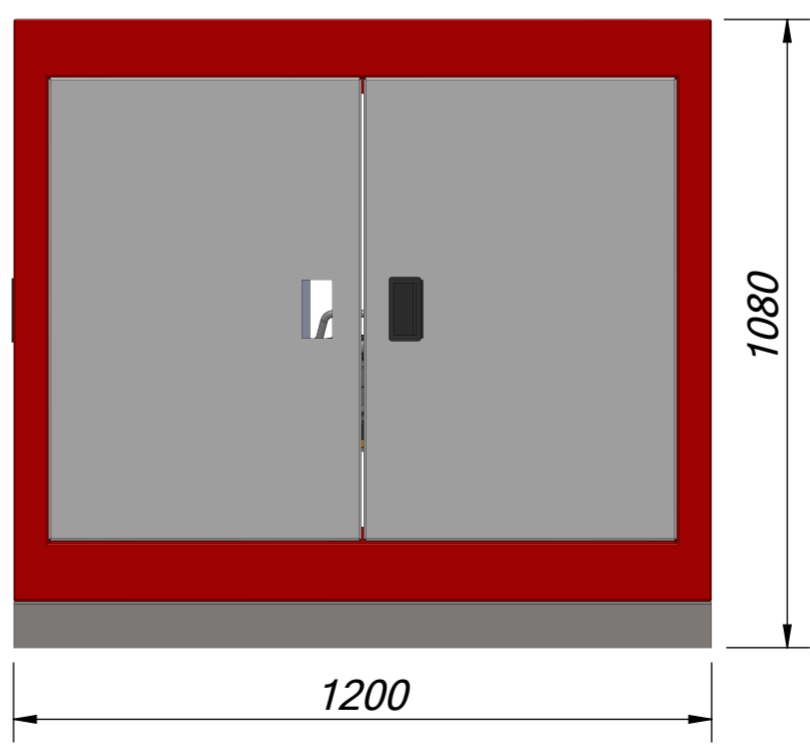
ISOMETRIC VIEW



LEFT SIDE VIEW



FRONT VIEW



RIGHT SIDE VIEW

NOTE:-

1. ALL DIMENSIONS ARE IN MM.

NOTE:- THIS IS TENTATIVE DRAWING, SUBJECT TO CHANGE.

GA DRAWING

PASKALS Fluid Systems		PASKALS FLUID SYSTEM PVT LTD. E-148, SECTOR 63, NOIDA, UP-201301 Tel No.: 0120 4500880 Fax No.: 0120 4500888 E-mail: bd@paskals.com			
TITLE	HELIUM BOOSTING & DECANTING SYSTEM			QA No.	
SUB-TITLE	GA DRAWING			Cross Ref Doc No.:	
SRS CODE	P3397			Customer Dwg Ref No.	
CUSTOMER	--			NOTE :	
END USER	--				
TD/PO. No.	--			DATED	
PROJECTION	DRWN	M.F	18/09/2024	SIZE	SCALE
	CHK.	P.K	18/09/2024	A3	NTS
	APPR.	S.P.S	18/09/2024		
				SHEET No	01
				OF	01
				NEO DWG No.	
				T-DAP-P3397-GADWG-HBDS	00