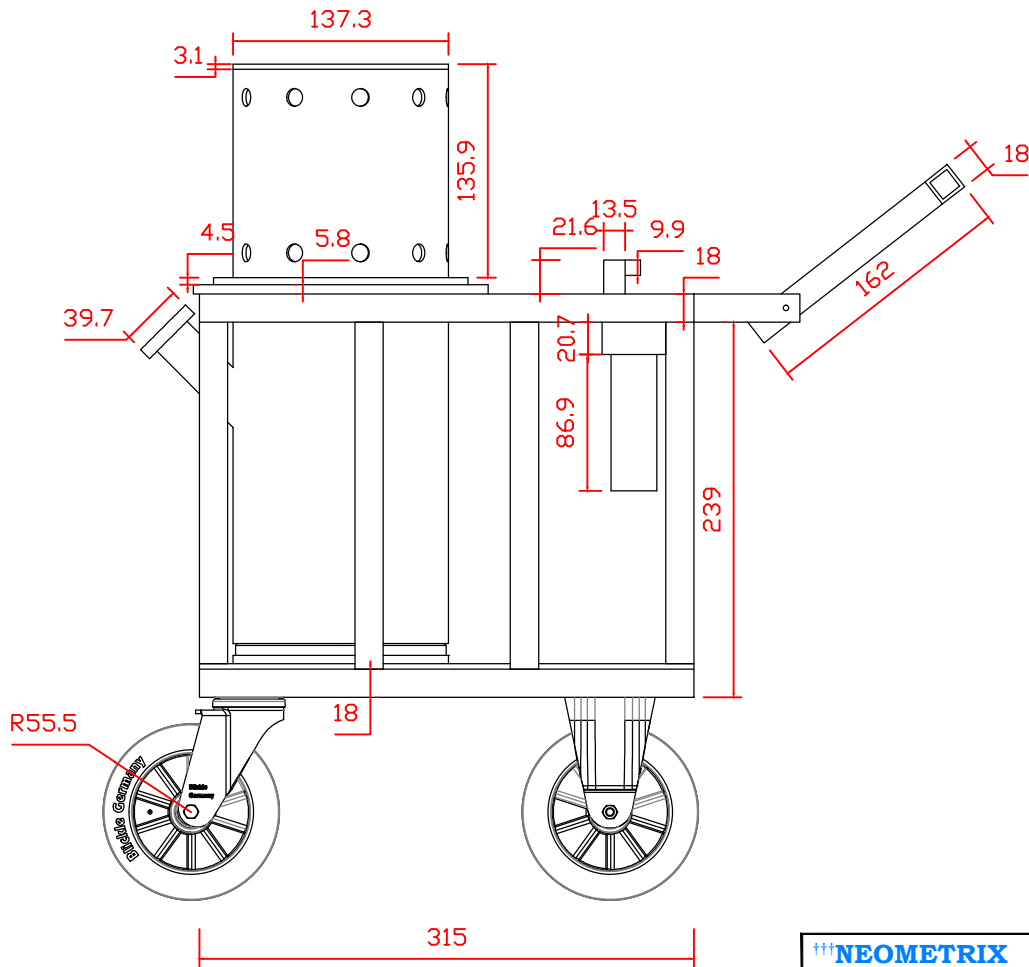


THIS DWG. IS SOLE PROPERTY OF NEOMETRIX ENGINEERING PVT. LTD.
 UNAUTHORISED USE OF THIS DWG. OR MAKING PRODUCT AS PER THIS DWG.
 WITHOUT OUR PERMISSION OR ANY OTHER MISUSE IS NOT PERMITTED.



Side View

NEOMETRIX		NEOMETRIX ENGINEERING PVT.LTD. E-148, Sector-63, Noida, UP-201301 Tel. No- 0120-4500800 Fax No- 0120-4500800 E Mail: contact@neometrixgroup.com	
www.neometrixgroup.com		DA No.	
MAIN TITLE INHABITATOR RIG		CUSTOMER REF. NO.	
SUB - TITLE SIDE VIEW		CUSTOMER Dwg. / REF. No.	
CODE AIS24		NOTES	
CUSTOMER Indian Air-Force			
END-USER			
APPLICATION			
PROJECTION	Drawn by & DATE	ISS/REVISED	SIZE/SCALE
1st Angle	Checked by & DATE	IN/REVISED	SHEET NO. OF
	Approved by & DATE	SP/REVISED	1/2
		NEE. DWG. NO. Rev	
		T-PED-SideView-AIS24 00	