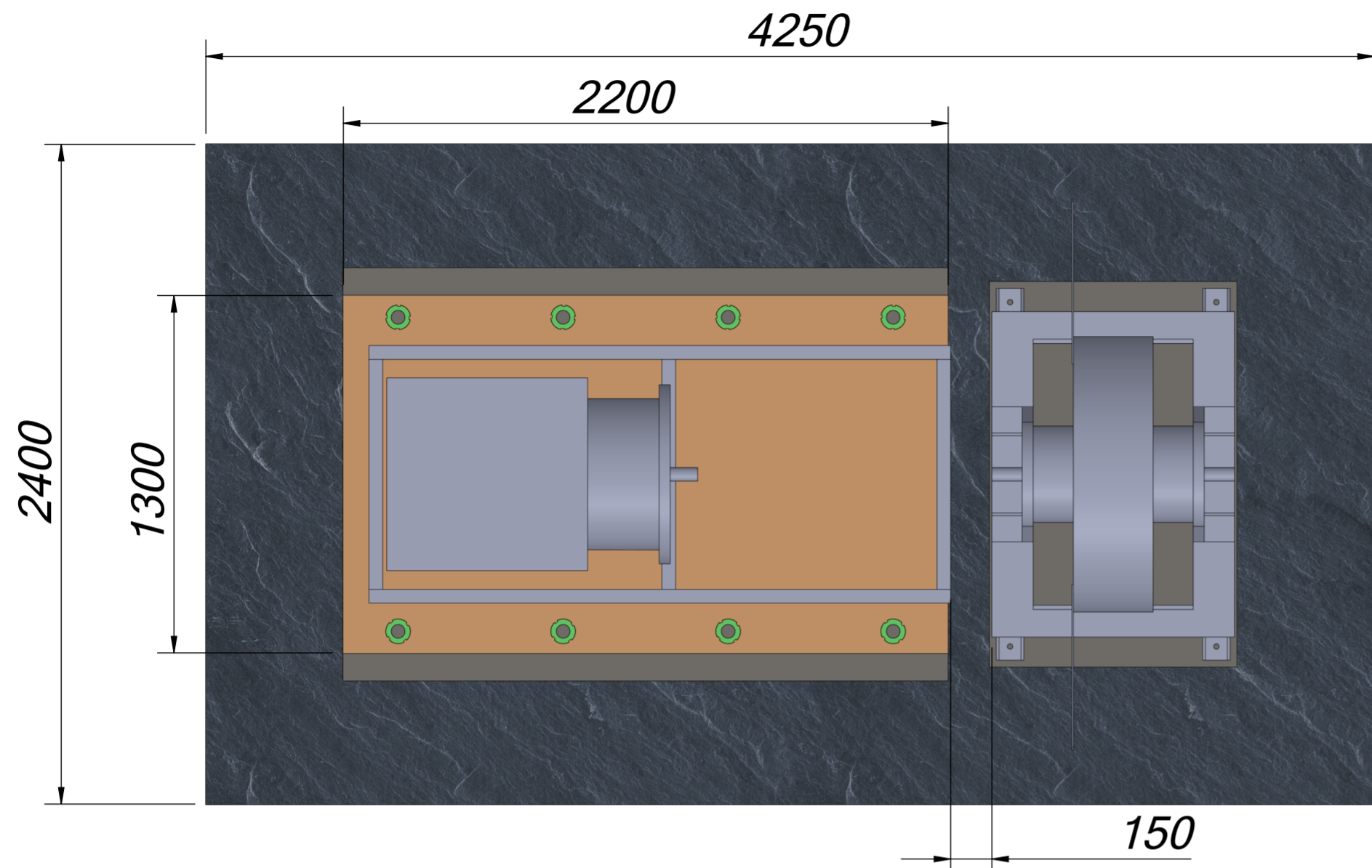
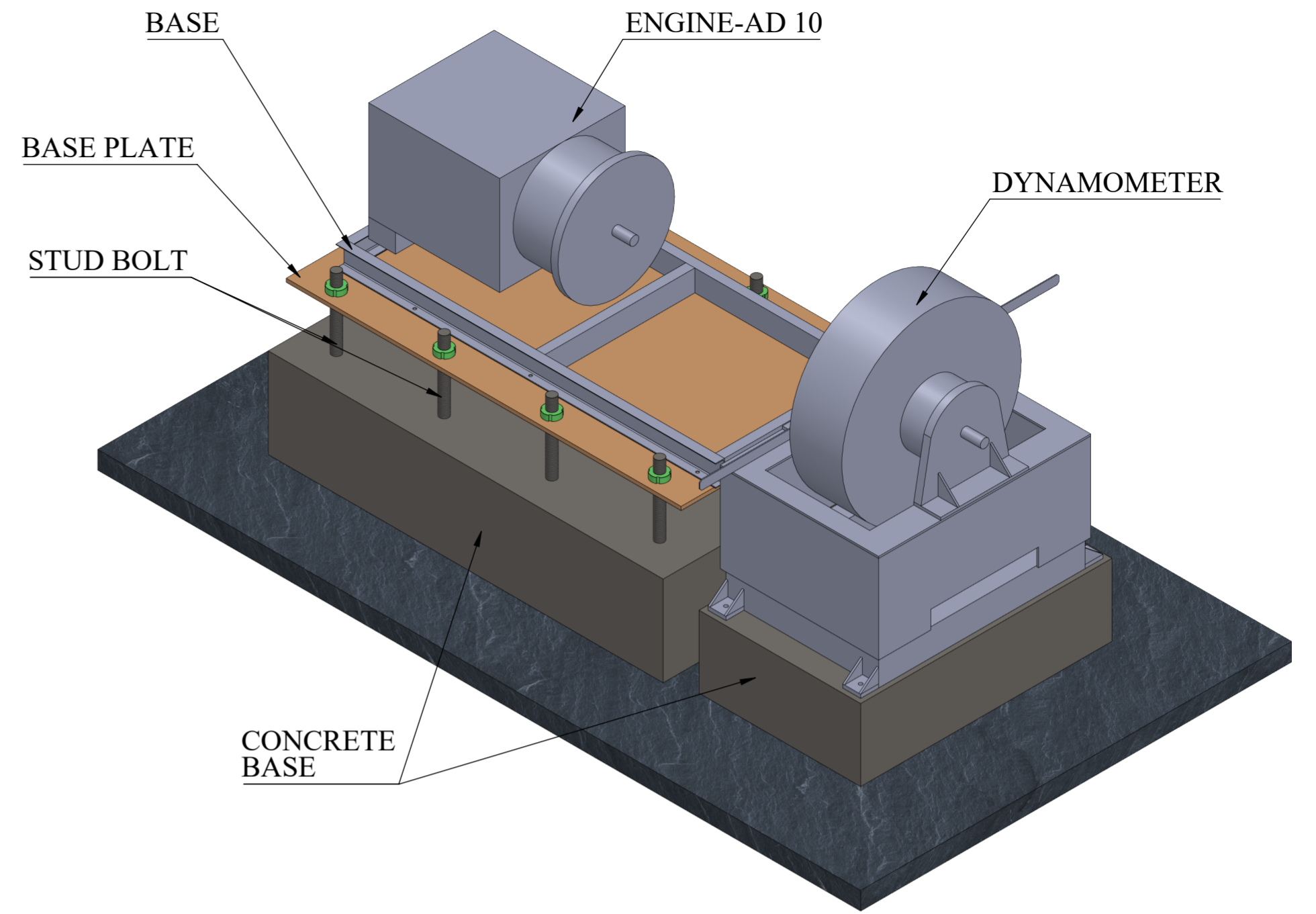


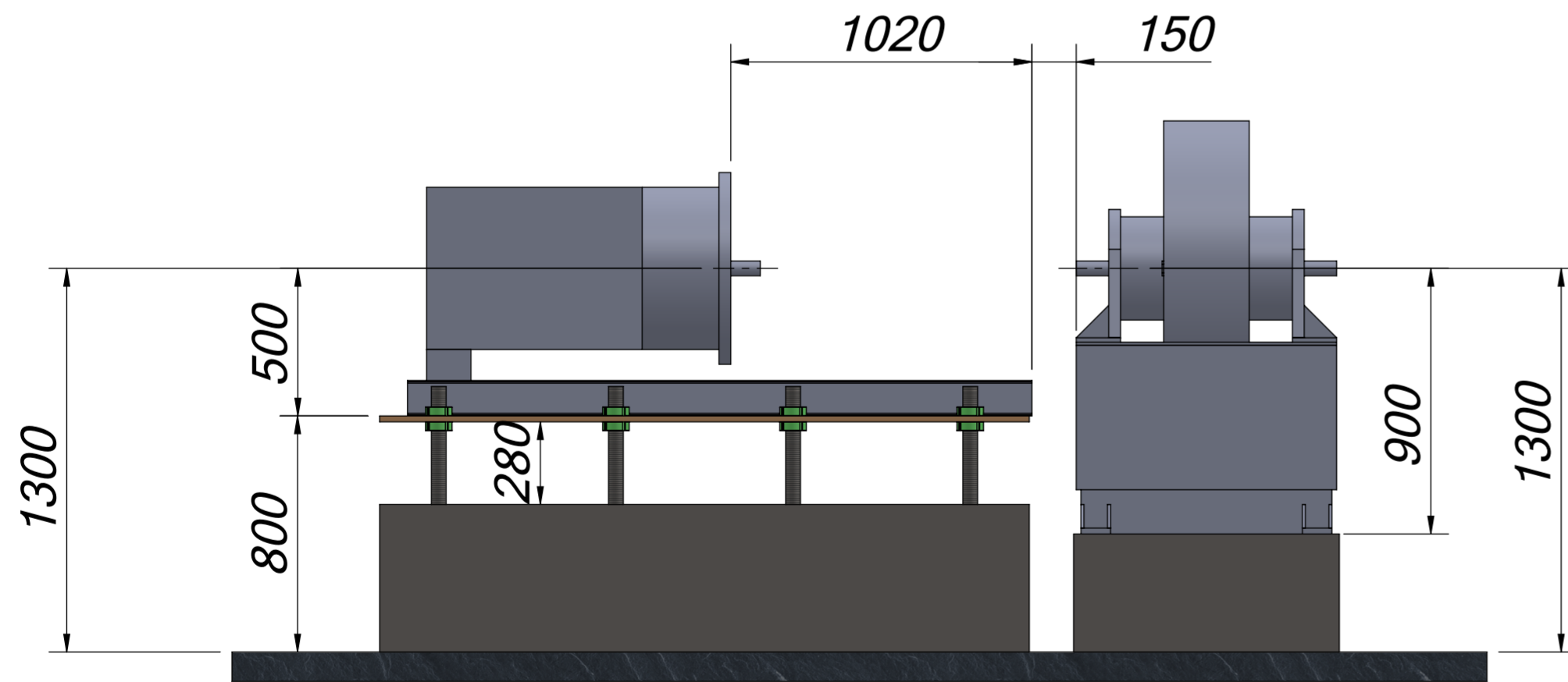
THIS DWG. IS SOLE PROPERTY OF NEOMETRIX ENGINEERING PVT. LTD. UNAUTHORISED USE OF THIS DWG. OR MAKING PRODUCT AS PER THIS DWG. WITHOUT OUR PERMISSION OR ANY OTHER MISUSE IS NOT PERMITTED.



TOP VIEW



ISOMETRIC VIEW



FRONT VIEW

NOTE:-

1. ALL DIMENSIONS ARE IN MM.

MODEL: AD-10

NEOMETRIX				NEOMETRIX ENGINEERING PVT LTD E-148, SECTOR 63, NOIDA, UP-201301 Tel No.: 0120 4500800 Fax No.: 0120 4500888 E-mail: contact@neometrixgroup.com Design Dept.: design@neometrixgroup.com			
TITLE	---			QA No.	---		
SUB-TITLE	GA DRAWING			Cross Ref Doc No.:	---		
SRS CODE	A5756			Customer Dwg Ref No.	---		
CUSTOMER	--			NOTE :	---		
END USER	--						
TD/PO. No.	--			DATED	---		
PROJECTION	DRWN	M.F	01/03/2024	SIZE	SCALE	SHEET No	OF
1st Angle	CHK.	S.M	01/03/2024	A3	NFS	01	01
	APPR.	S.P.S	01/03/2024				
				NEO DWG No.	T-DAP-A5756-GADWG		REV
							00