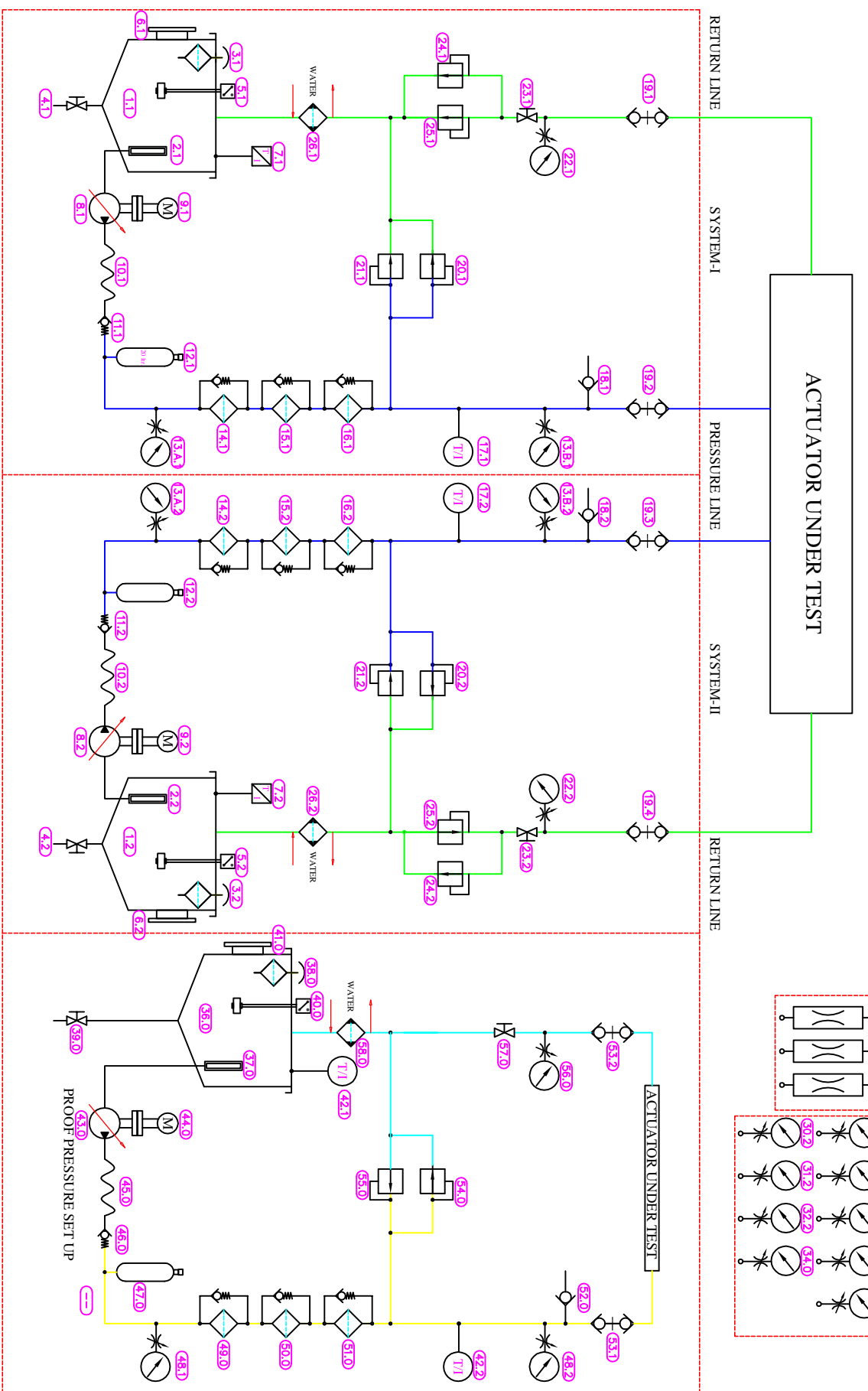




THIS DWG. IS SOLE PROPERTY OF NEOMETRIX ENGINEERING PVT. LTD.  
 UNAUTHORISED USE OF THIS DWG. OR MAKING PRODUCT AS PER THIS DWG.  
 WITHOUT OUR PERMISSION OR ANY OTHER MISUSE IS NOT PERMITTED.



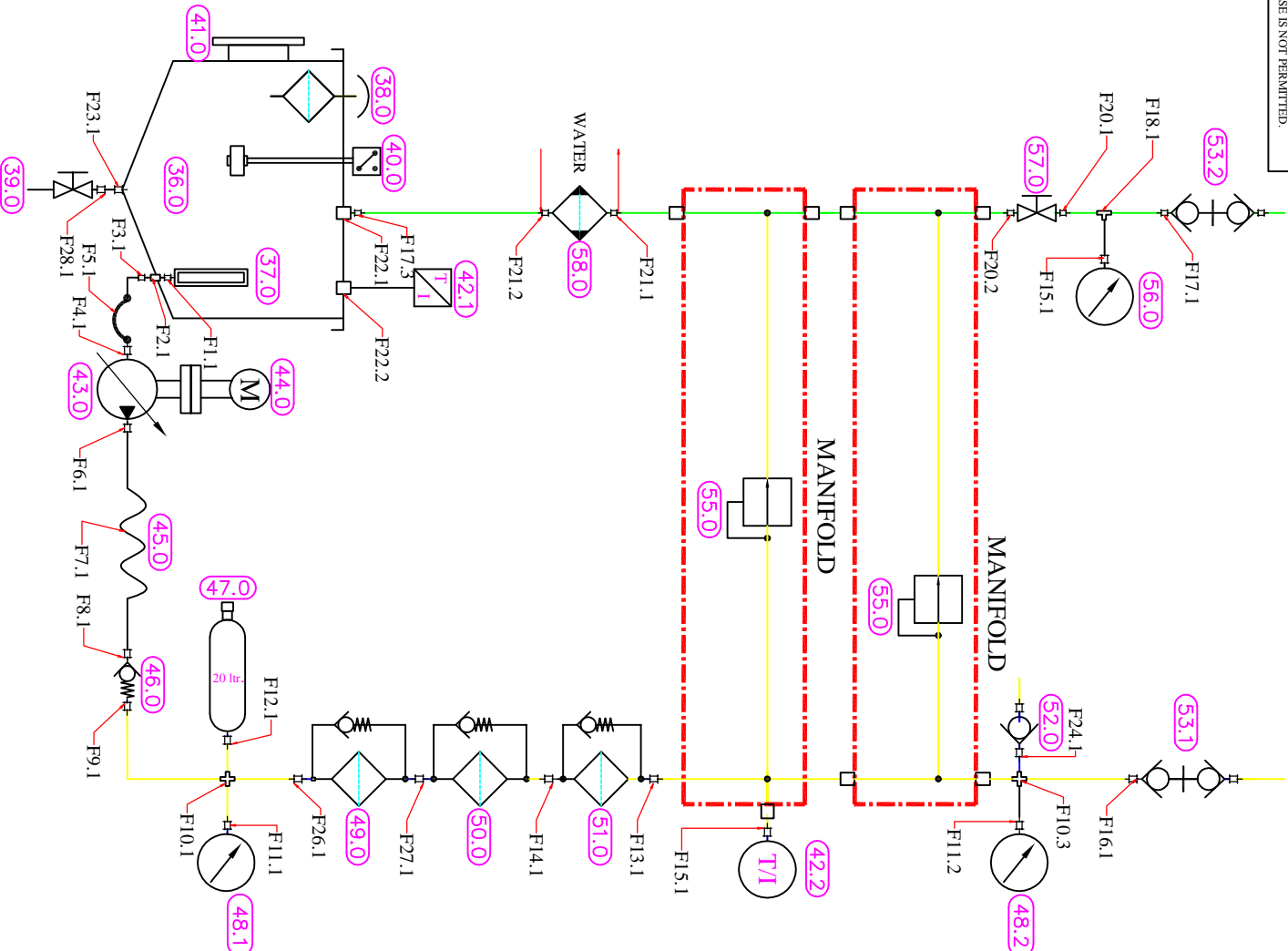
DUAL SYSTEM HYDRAULIC TEST RIG

Colour	Pipe size
Blue	3/4"
Green	1"
Yellow	1/4"
Cyan	1/2"

Item No.	Description	Qty
1	PIPE 3/4" DIA. WITH END CAPS (SYSTEM-I)	10
2	PIPE 1" DIA. WITH END CAPS (SYSTEM-I)	10
3	PIPE 1/4" DIA. WITH END CAPS (SYSTEM-I)	10
4	PIPE 1/2" DIA. WITH END CAPS (SYSTEM-I)	10
5	PIPE 3/4" DIA. WITH END CAPS (SYSTEM-II)	10
6	PIPE 1" DIA. WITH END CAPS (SYSTEM-II)	10
7	PIPE 1/4" DIA. WITH END CAPS (SYSTEM-II)	10
8	PIPE 1/2" DIA. WITH END CAPS (SYSTEM-II)	10
9	PIPE 3/4" DIA. WITH END CAPS (ACTUATOR)	10
10	PIPE 1" DIA. WITH END CAPS (ACTUATOR)	10
11	PIPE 1/4" DIA. WITH END CAPS (ACTUATOR)	10
12	PIPE 1/2" DIA. WITH END CAPS (ACTUATOR)	10
13	VALVE 3/4" (SYSTEM-I)	10
14	VALVE 1" (SYSTEM-I)	10
15	VALVE 1/4" (SYSTEM-I)	10
16	VALVE 1/2" (SYSTEM-I)	10
17	VALVE 3/4" (SYSTEM-II)	10
18	VALVE 1" (SYSTEM-II)	10
19	VALVE 1/4" (SYSTEM-II)	10
20	VALVE 1/2" (SYSTEM-II)	10
21	VALVE 3/4" (ACTUATOR)	10
22	VALVE 1" (ACTUATOR)	10
23	VALVE 1/4" (ACTUATOR)	10
24	VALVE 1/2" (ACTUATOR)	10
25	GAUGE 3/4" (SYSTEM-I)	10
26	GAUGE 1" (SYSTEM-I)	10
27	GAUGE 1/4" (SYSTEM-I)	10
28	GAUGE 1/2" (SYSTEM-I)	10
29	GAUGE 3/4" (SYSTEM-II)	10
30	GAUGE 1" (SYSTEM-II)	10
31	GAUGE 1/4" (SYSTEM-II)	10
32	GAUGE 1/2" (SYSTEM-II)	10
33	GAUGE 3/4" (ACTUATOR)	10
34	GAUGE 1" (ACTUATOR)	10
35	GAUGE 1/4" (ACTUATOR)	10
36	GAUGE 1/2" (ACTUATOR)	10
37	TEMP. SENS. 3/4" (SYSTEM-I)	10
38	TEMP. SENS. 1" (SYSTEM-I)	10
39	TEMP. SENS. 1/4" (SYSTEM-I)	10
40	TEMP. SENS. 1/2" (SYSTEM-I)	10
41	TEMP. SENS. 3/4" (SYSTEM-II)	10
42	TEMP. SENS. 1" (SYSTEM-II)	10
43	TEMP. SENS. 1/4" (SYSTEM-II)	10
44	TEMP. SENS. 1/2" (SYSTEM-II)	10
45	TEMP. SENS. 3/4" (ACTUATOR)	10
46	TEMP. SENS. 1" (ACTUATOR)	10
47	TEMP. SENS. 1/4" (ACTUATOR)	10
48	TEMP. SENS. 1/2" (ACTUATOR)	10
49	TEMP. SENS. 3/4" (PROOF)	10
50	TEMP. SENS. 1" (PROOF)	10
51	TEMP. SENS. 1/4" (PROOF)	10
52	TEMP. SENS. 1/2" (PROOF)	10
53	TEMP. SENS. 3/4" (SYSTEM-I)	10
54	TEMP. SENS. 1" (SYSTEM-I)	10
55	TEMP. SENS. 1/4" (SYSTEM-I)	10
56	TEMP. SENS. 1/2" (SYSTEM-I)	10
57	TEMP. SENS. 3/4" (SYSTEM-II)	10
58	TEMP. SENS. 1" (SYSTEM-II)	10
59	TEMP. SENS. 1/4" (SYSTEM-II)	10
60	TEMP. SENS. 1/2" (SYSTEM-II)	10
61	TEMP. SENS. 3/4" (ACTUATOR)	10
62	TEMP. SENS. 1" (ACTUATOR)	10
63	TEMP. SENS. 1/4" (ACTUATOR)	10
64	TEMP. SENS. 1/2" (ACTUATOR)	10
65	TEMP. SENS. 3/4" (PROOF)	10
66	TEMP. SENS. 1" (PROOF)	10
67	TEMP. SENS. 1/4" (PROOF)	10
68	TEMP. SENS. 1/2" (PROOF)	10
69	TEMP. SENS. 3/4" (SYSTEM-I)	10
70	TEMP. SENS. 1" (SYSTEM-I)	10
71	TEMP. SENS. 1/4" (SYSTEM-I)	10
72	TEMP. SENS. 1/2" (SYSTEM-I)	10
73	TEMP. SENS. 3/4" (SYSTEM-II)	10
74	TEMP. SENS. 1" (SYSTEM-II)	10
75	TEMP. SENS. 1/4" (SYSTEM-II)	10
76	TEMP. SENS. 1/2" (SYSTEM-II)	10
77	TEMP. SENS. 3/4" (ACTUATOR)	10
78	TEMP. SENS. 1" (ACTUATOR)	10
79	TEMP. SENS. 1/4" (ACTUATOR)	10
80	TEMP. SENS. 1/2" (ACTUATOR)	10
81	TEMP. SENS. 3/4" (PROOF)	10
82	TEMP. SENS. 1" (PROOF)	10
83	TEMP. SENS. 1/4" (PROOF)	10
84	TEMP. SENS. 1/2" (PROOF)	10
85	TEMP. SENS. 3/4" (SYSTEM-I)	10
86	TEMP. SENS. 1" (SYSTEM-I)	10
87	TEMP. SENS. 1/4" (SYSTEM-I)	10
88	TEMP. SENS. 1/2" (SYSTEM-I)	10
89	TEMP. SENS. 3/4" (SYSTEM-II)	10
90	TEMP. SENS. 1" (SYSTEM-II)	10
91	TEMP. SENS. 1/4" (SYSTEM-II)	10
92	TEMP. SENS. 1/2" (SYSTEM-II)	10
93	TEMP. SENS. 3/4" (ACTUATOR)	10
94	TEMP. SENS. 1" (ACTUATOR)	10
95	TEMP. SENS. 1/4" (ACTUATOR)	10
96	TEMP. SENS. 1/2" (ACTUATOR)	10
97	TEMP. SENS. 3/4" (PROOF)	10
98	TEMP. SENS. 1" (PROOF)	10
99	TEMP. SENS. 1/4" (PROOF)	10
100	TEMP. SENS. 1/2" (PROOF)	10

**NEOMETRIX ENGINEERING PVT. LTD.**  
 www.neometrix.in  
 B-10, Sector-10, Gurgaon, Haryana  
 Tel. No. - 0124-450888  
 Fax No. - 0124-450888  
 Email: sales@neometrix.in

MAIN TITLE	DUAL SYSTEM HYDRAULIC TEST RIG
SUB - TITLE	HWVG CIRCUIT
CODE	A-1051
CUSTOMER	HALDIGANOW
END USER	-
APPLICATION	-
PROJECTION DRAWN BY	ADARSH
SCALE	NED DWG NO.
SIZE	A4
NIS	17-A-HWVG-A1051
REV.	00



Colour	Pipe size
Blue	20mm OD
Green	22mm OD
Yellow	10mm OD
Cyan	12mm OD

Item	Rating Description	Qty
F1	SMALL CONNECTOR	01
F2	SCORET	01
F3	SMALL CONNECTOR	01
F4	SMALL CONNECTOR	01
F5	HOSE	01
F6	SMALL CONNECTOR	01
F7	HOSE	01
F8	SMALL CONNECTOR	01
F9	HOSE	01
F10	SMALL CONNECTOR	01
F11	SMALL CONNECTOR	01
F12	SMALL CONNECTOR	01
F13	SMALL CONNECTOR	01
F14	SMALL CONNECTOR	01
F15	SMALL CONNECTOR	01
F16	SMALL CONNECTOR	01
F17	SMALL CONNECTOR	01
F18	SMALL CONNECTOR	01
F19	SMALL CONNECTOR	01
F20	SMALL CONNECTOR	01
F21	SMALL CONNECTOR	01
F22	SMALL CONNECTOR	01
F23	SMALL CONNECTOR	01
F24	SMALL CONNECTOR	01
F25	SMALL CONNECTOR	01
F26	SMALL CONNECTOR	01
F27	SMALL CONNECTOR	01
F28	SMALL CONNECTOR	01
F29	SMALL CONNECTOR	01
F30	SMALL CONNECTOR	01
F31	SMALL CONNECTOR	01
F32	SMALL CONNECTOR	01
F33	SMALL CONNECTOR	01
F34	SMALL CONNECTOR	01
F35	SMALL CONNECTOR	01
F36	SMALL CONNECTOR	01
F37	SMALL CONNECTOR	01
F38	SMALL CONNECTOR	01
F39	SMALL CONNECTOR	01
F40	SMALL CONNECTOR	01
F41	SMALL CONNECTOR	01
F42	SMALL CONNECTOR	01
F43	SMALL CONNECTOR	01
F44	SMALL CONNECTOR	01
F45	SMALL CONNECTOR	01
F46	SMALL CONNECTOR	01
F47	SMALL CONNECTOR	01
F48	SMALL CONNECTOR	01
F49	SMALL CONNECTOR	01
F50	SMALL CONNECTOR	01
F51	SMALL CONNECTOR	01
F52	SMALL CONNECTOR	01
F53	SMALL CONNECTOR	01
F54	SMALL CONNECTOR	01
F55	SMALL CONNECTOR	01
F56	SMALL CONNECTOR	01
F57	SMALL CONNECTOR	01
F58	SMALL CONNECTOR	01
F59	SMALL CONNECTOR	01
F60	SMALL CONNECTOR	01
F61	SMALL CONNECTOR	01
F62	SMALL CONNECTOR	01
F63	SMALL CONNECTOR	01
F64	SMALL CONNECTOR	01
F65	SMALL CONNECTOR	01
F66	SMALL CONNECTOR	01
F67	SMALL CONNECTOR	01
F68	SMALL CONNECTOR	01
F69	SMALL CONNECTOR	01
F70	SMALL CONNECTOR	01
F71	SMALL CONNECTOR	01
F72	SMALL CONNECTOR	01
F73	SMALL CONNECTOR	01
F74	SMALL CONNECTOR	01
F75	SMALL CONNECTOR	01
F76	SMALL CONNECTOR	01
F77	SMALL CONNECTOR	01
F78	SMALL CONNECTOR	01
F79	SMALL CONNECTOR	01
F80	SMALL CONNECTOR	01
F81	SMALL CONNECTOR	01
F82	SMALL CONNECTOR	01
F83	SMALL CONNECTOR	01
F84	SMALL CONNECTOR	01
F85	SMALL CONNECTOR	01
F86	SMALL CONNECTOR	01
F87	SMALL CONNECTOR	01
F88	SMALL CONNECTOR	01
F89	SMALL CONNECTOR	01
F90	SMALL CONNECTOR	01
F91	SMALL CONNECTOR	01
F92	SMALL CONNECTOR	01
F93	SMALL CONNECTOR	01
F94	SMALL CONNECTOR	01
F95	SMALL CONNECTOR	01
F96	SMALL CONNECTOR	01
F97	SMALL CONNECTOR	01
F98	SMALL CONNECTOR	01
F99	SMALL CONNECTOR	01
F100	SMALL CONNECTOR	01

**NEOMETRIX**  
www.neometrix.in

NEOMETRIX ENGINEERING PRIVATE LIMITED  
E-148 SECTOR-65 NOIDA  
Tel. No.:- +91-120-4500800  
Fax No.:- +91-120-4500888  
E-Mail: contact@neometrix.in

MAIN TITLE	Dual Hydraulic Test Rig	WEIGHT:-	(Kgs)
SUB TITLE	HDWG-CIRCUIT-K2		
CODE	A1051		
DESIGNED BY	GPS	SCALE	NOT TO SCALE
DRAWN BY	PK	PROJECTION	
CHECKED BY	GPS	SHEET NO.	REV. 01
APPROVED BY	SPS	DWG. NO.:-	T-PEID-MDWG-A1051