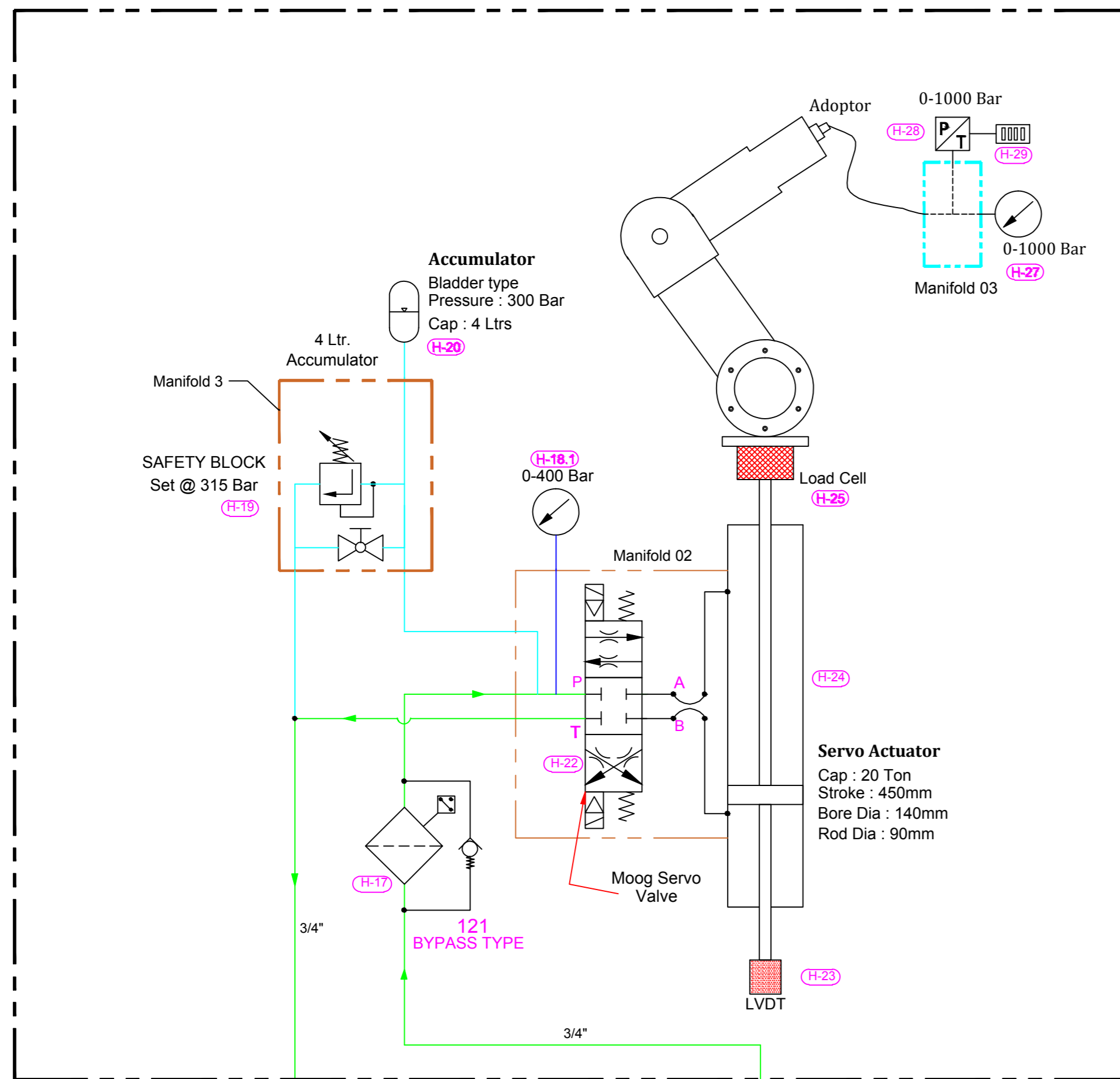


THIS DWG. IS SOLE PROPERTY OF NEOMETRIX ENGINEERING PVT. LTD.  
UNAUTHORISED USE OF THIS DWG. OR MAKING PRODUCT AS PER THIS DWG.  
WITHOUT OUR PERMISSION OR ANY OTHER MISUSE IS NOT PERMITTED.

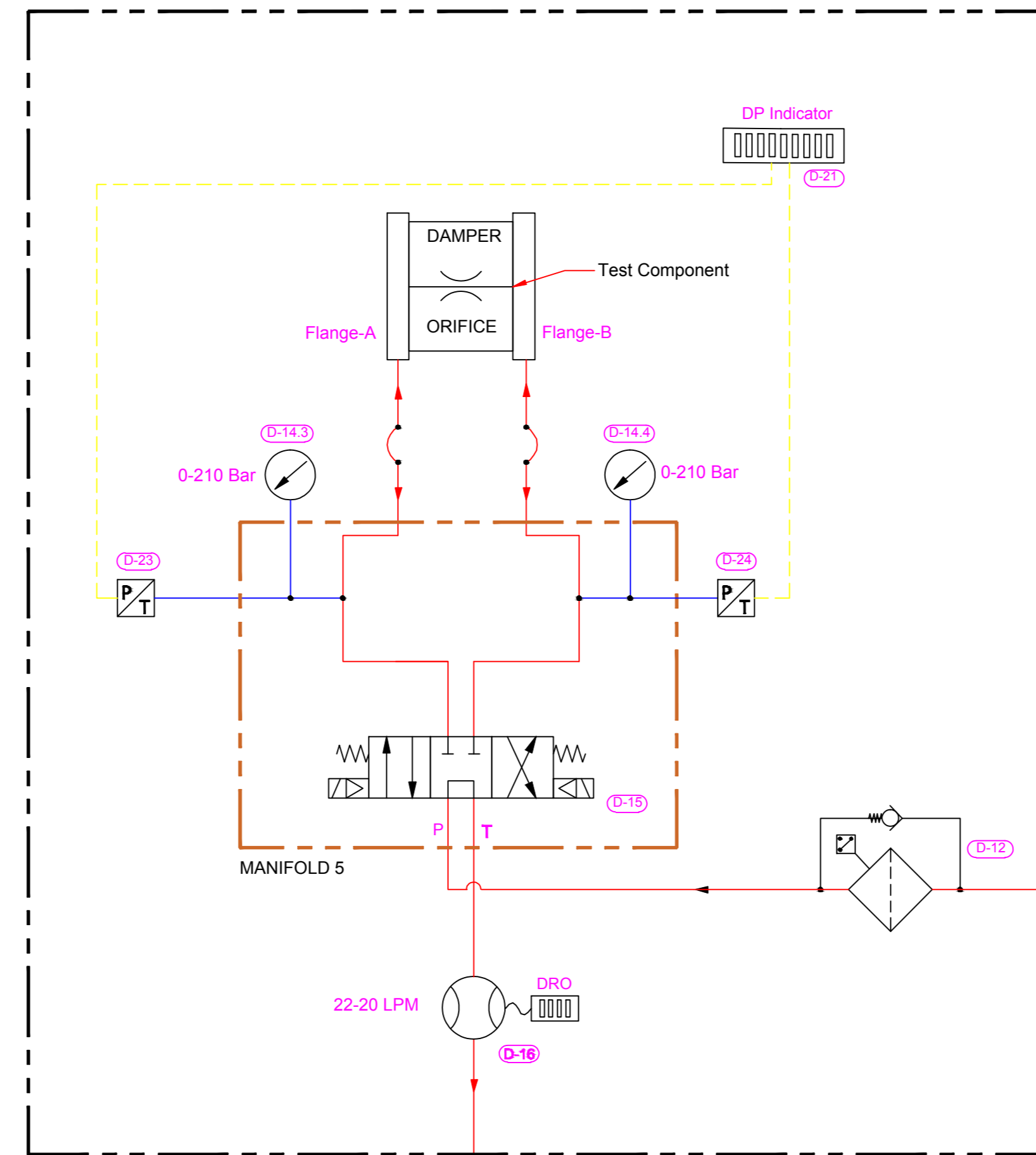
PIPE SCHEDULE

1 Inch	1-1/2 Inch
3/4 Inch	1/4 Inch
1/2 Inch	

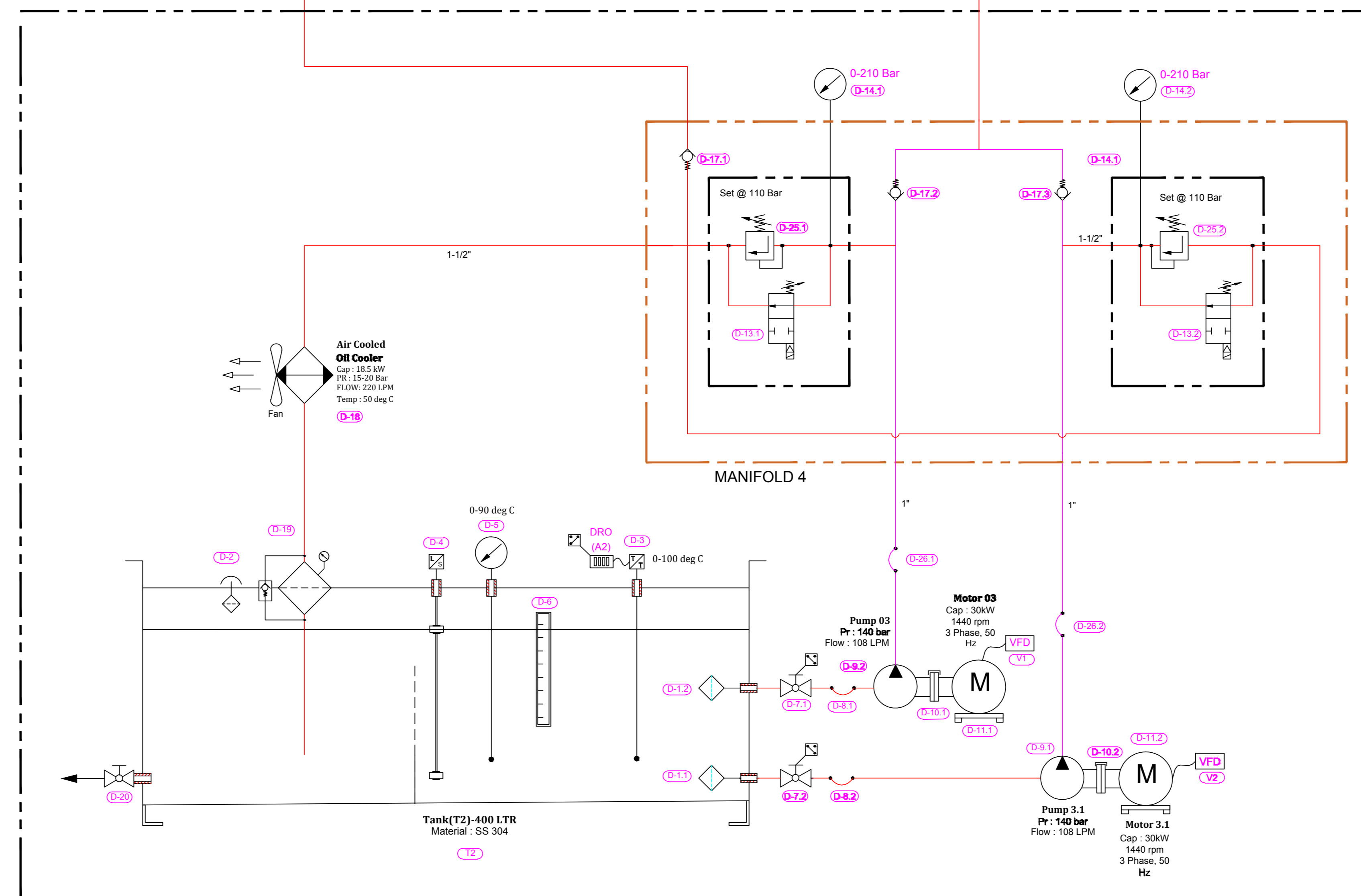
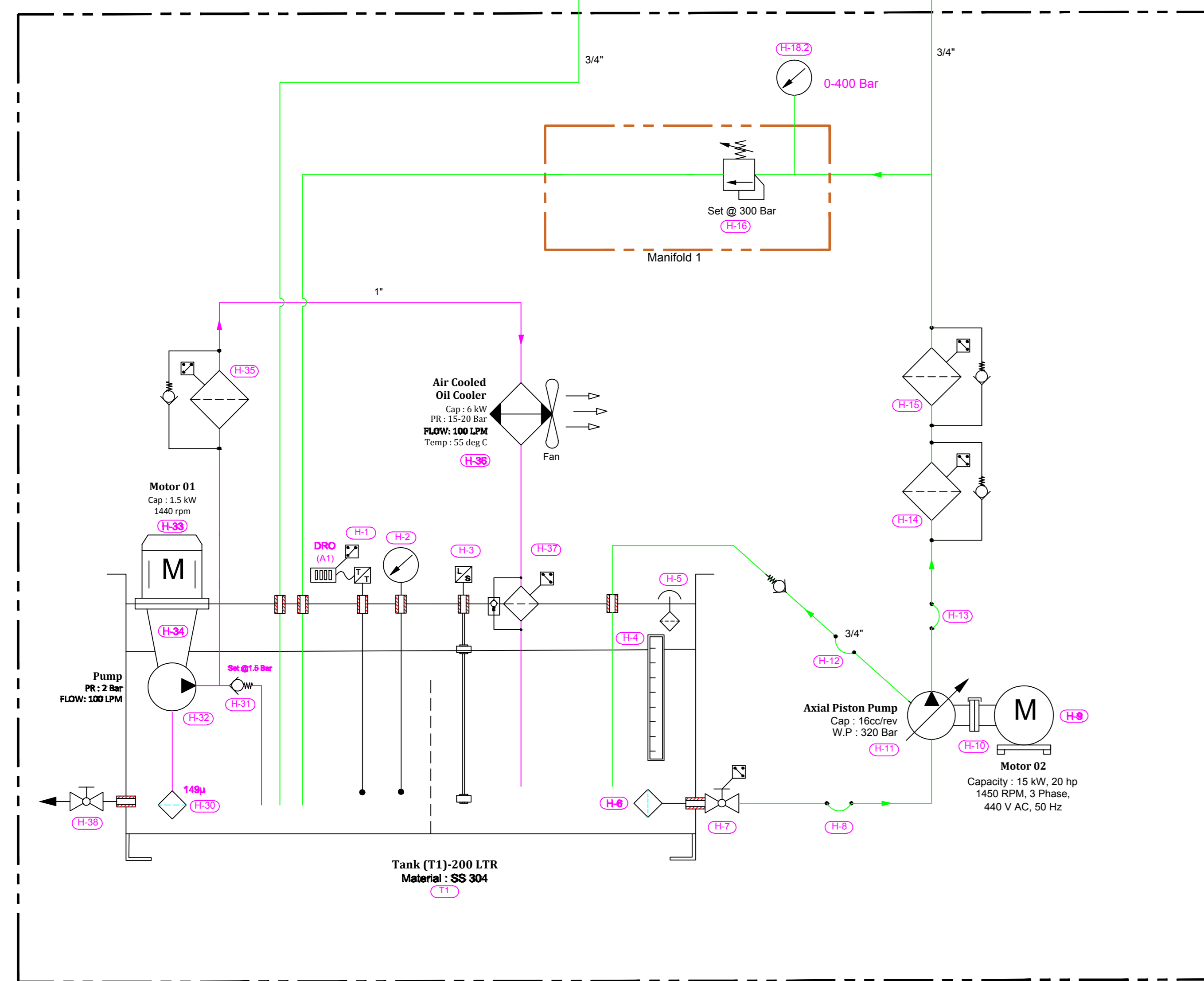
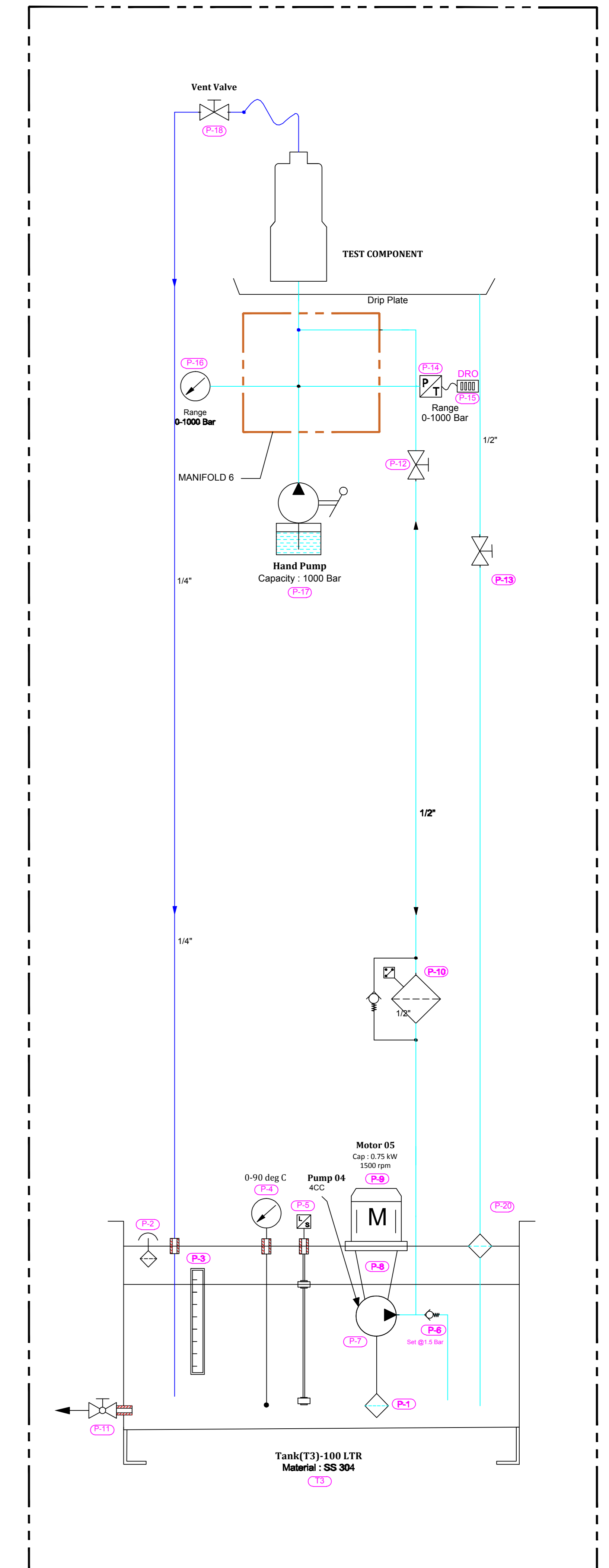
HSU TEST STAND



DAMPER TEST BENCH



STATIC TEST BENCH



HYDRAULIC CIRCUIT  
(HYDRAULIC TEST EQUIPMENT FOR HSU)

NOTE :  
THIS DRAWING IS TENTATIVE AND SUBJECTED TO CHANGE

<b>NEOMETRIX</b>		NEOMETRIX ENGINEERING PVT.LTD. E-148, Sector-63, Noida, UP-201301 Tel. No. - 0120-4500800 Fax No. - 0120-4500888 E-Mail: contact@neometrixgroup.com	
MAIN TITLE	HYDRAULIC TEST EQUIPMENT FOR HSU	O/A No.	
SUB-TITLE	HYDRAULIC CIRCUIT	GROSS REF. DOC.	
CODE	A1782	CUSTOMER DWG. / REF. No.	
CUSTOMER		NOTES	
END-USER			
PO. No.	41802215	DATED : 29-09-2017	
PROJECTION	DRAWN BY & DATE	S.H.	26/02/2018
	CHECKED BY & DATE	S.P.S.	26/02/2018
	APPROVED BY & DATE	S.P.S.	26/02/2018
SIZE	A2	SCALE	NTS
SHEET	01	OF	01
NEO. DWG. NO.	T-DAP-A1782-HDWG-HSU	Rev.	02