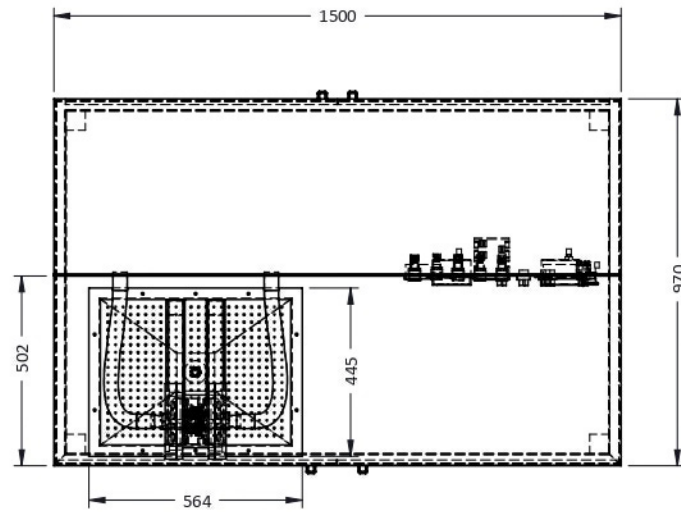
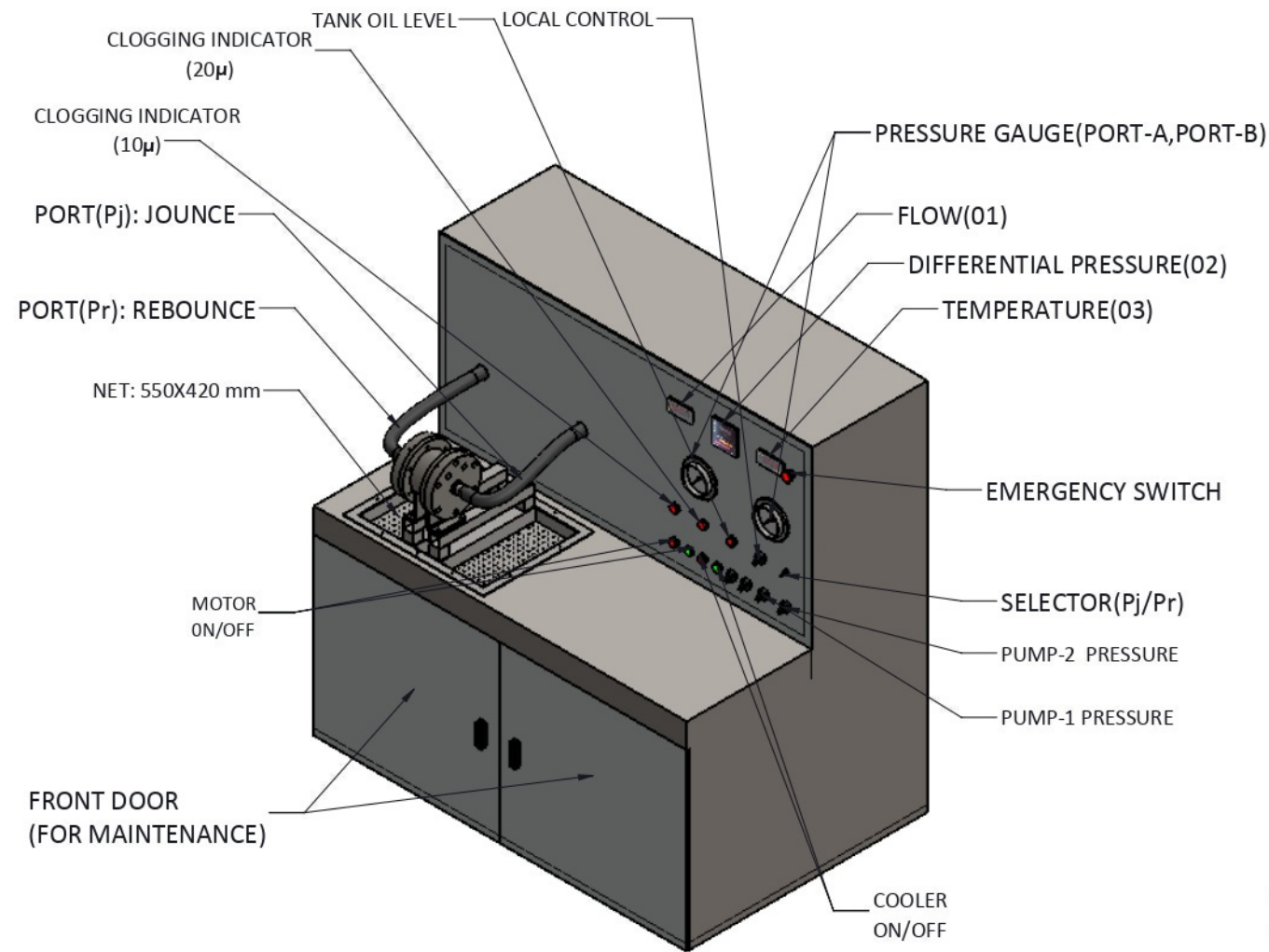


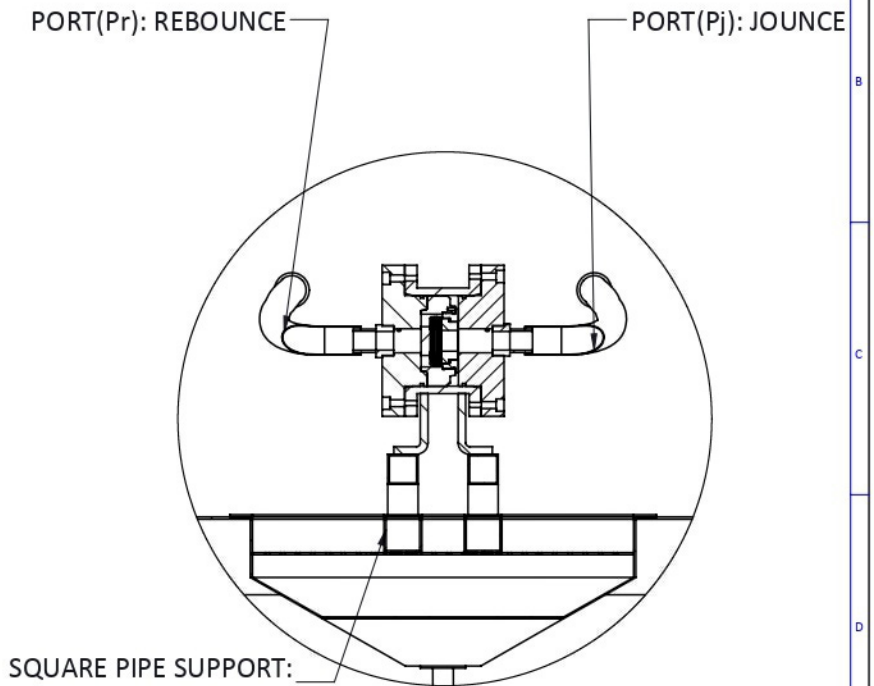
THIS DWG IS SOLE PROPERTY OF NEOMETRIX ENGINEERING PVT. LTD. UNAUTHORISED USE OF THIS DWG. OR MAKING PRODUCT AS PER THIS DWG. WITHOUT OUR PERMISSION OR ANY OTHER MISUSE IS NOT PERMITTED.



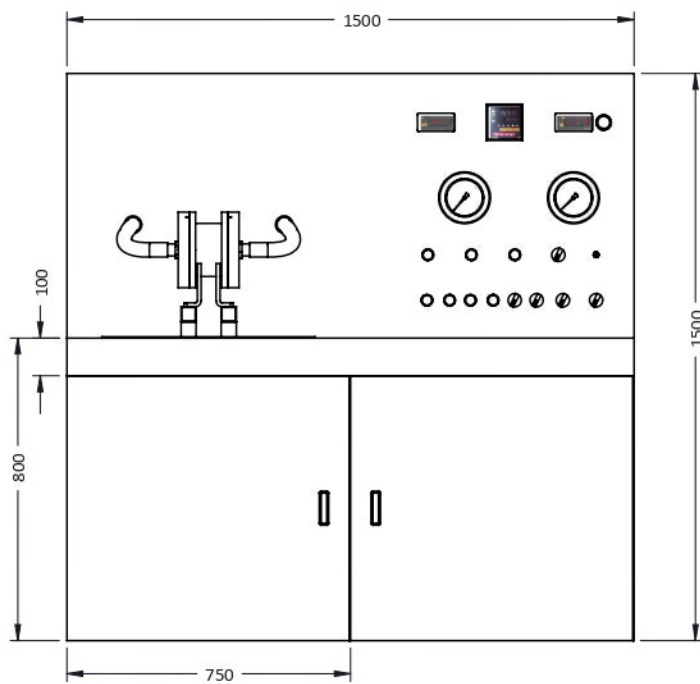
TOP VIEW



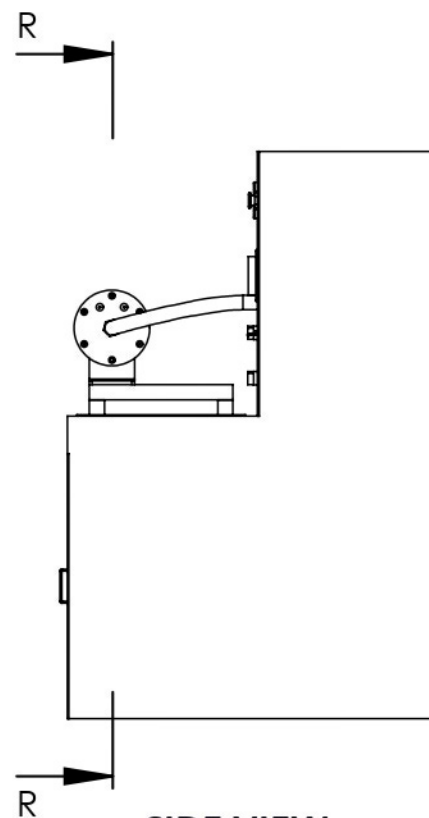
ISOMETRIC VIEW



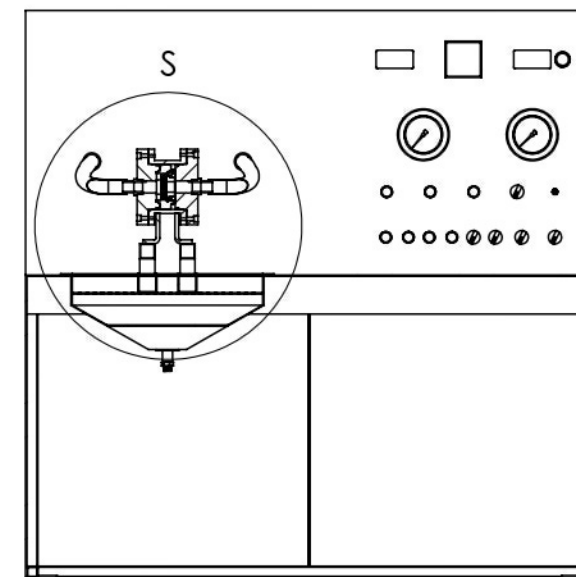
**DETAIL S
SCALE 1 : 10**



FRONT VIEW



SIDE VIEW



SECTION R-R

| PART TABLE | |
|----------------------|---------------------|
| DESCRIPTION | PART NO. |
| TEST STAND | NX-A1782-DTB-TS-01 |
| PRESSURE GAUGE | NX-A1782-DTB-PG-01 |
| PRESSURE GAUGE | NX-A1782-DTB-PG-02 |
| DRO | NX-A1782-DTB-DRO-01 |
| DRO | NX-A1782-DTB-DRO-02 |
| DRO | NX-A1782-DTB-DRO-03 |
| SELECTOR SWITCH | NX-A1782-DTB-SS-01 |
| SELECTOR SWITCH | NX-A1782-DTB-SS-02 |
| SELECTOR SWITCH | NX-A1782-DTB-SS-03 |
| SELECTOR(Pj/Pr) | NX-A1782-DTB-S-01 |
| CLOGGING INDICATOR | NX-A1782-DTB-LED-01 |
| LEVEL INDICATOR | NX-A1782-DTB-LED-02 |
| MOTOR ON | NX-A1782-DTB-LED-03 |
| MOTOR OFF | NX-A1782-DTB-LED-04 |
| METALLIC SLOTTED NET | NX-A1782-MSN-01 |

| | | | |
|--------------------|----------------------------------|---|---------------------------|
| | | NEOMETRIX ENGINEERING PVT. LTD. E-148, Sector-63, Noida, UP-201301 Tel. No. :- 0120-4500800 Fax No. :- 0120-4500888 Email :- contact@neometrixgroup.com | |
| MAIN TITLE | HYDRAULIC TEST EQUIPMENT FOR HSU | Q.A No. | |
| SUB - TITLE | DAMPER TEST BENCH | Cross Ref. Doc. No. | |
| CODE | A-1782 | Customer Dwg./Ref. No. | |
| CUSTOMER | | Note: | |
| CONTRACTOR | ---- | | |
| PO. NO. | ---- | | |
| PROJECTION | DRAWN BY & DATE | N.K | 27/01/2018 |
| CHECKED BY & DATE | S.H | 27/01/2018 | Size Scale Sheet |
| APPROVED BY & DATE | S.P.S | 27/01/2018 | A3 NTS 01/01 |
| | | | NEO. DWG. No. |
| | | | T-PED-A1782-DTB-GADWGW 00 |

NOTE:
• All Dimensions are in mm.

DAMPER TEST BENCH