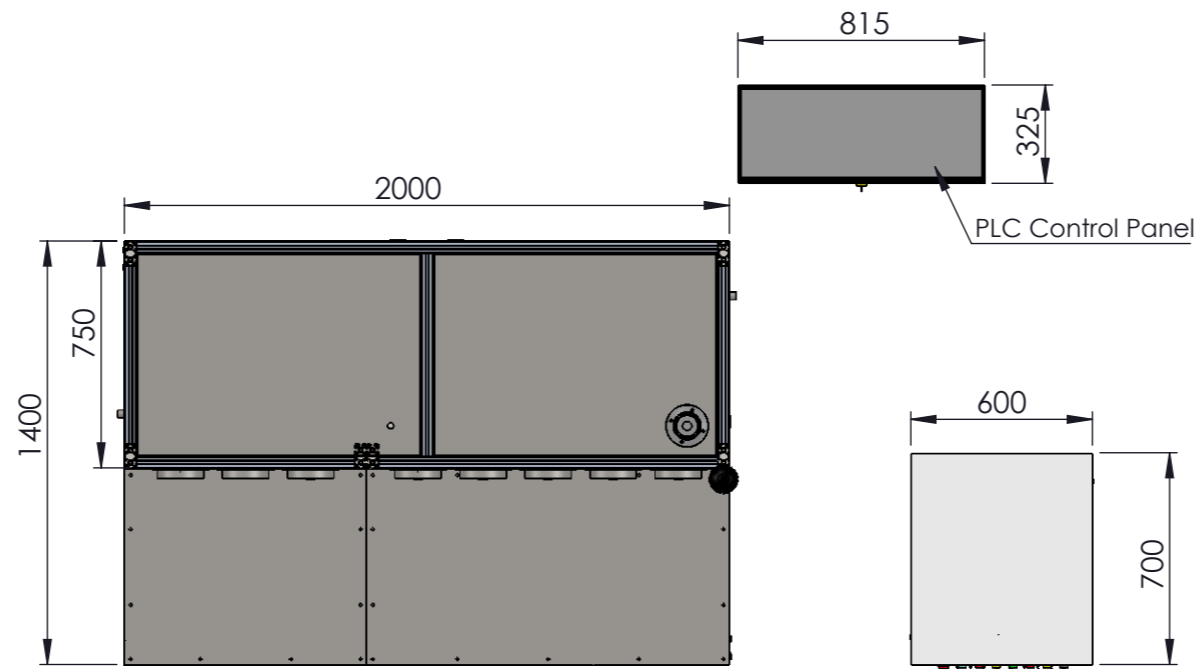
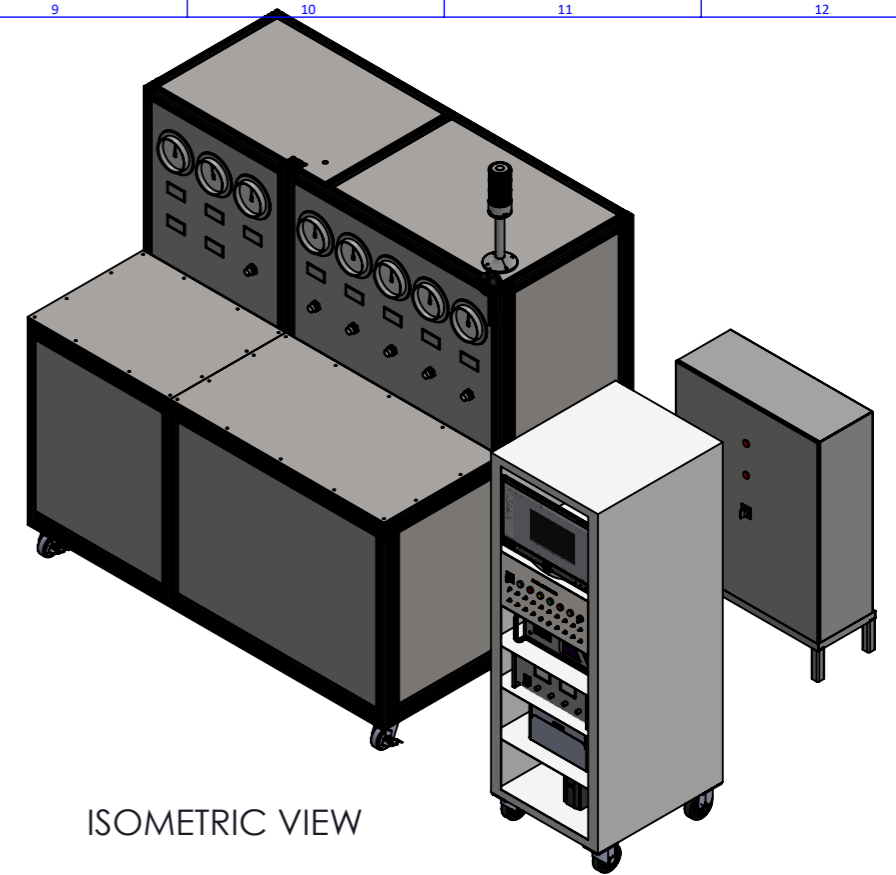


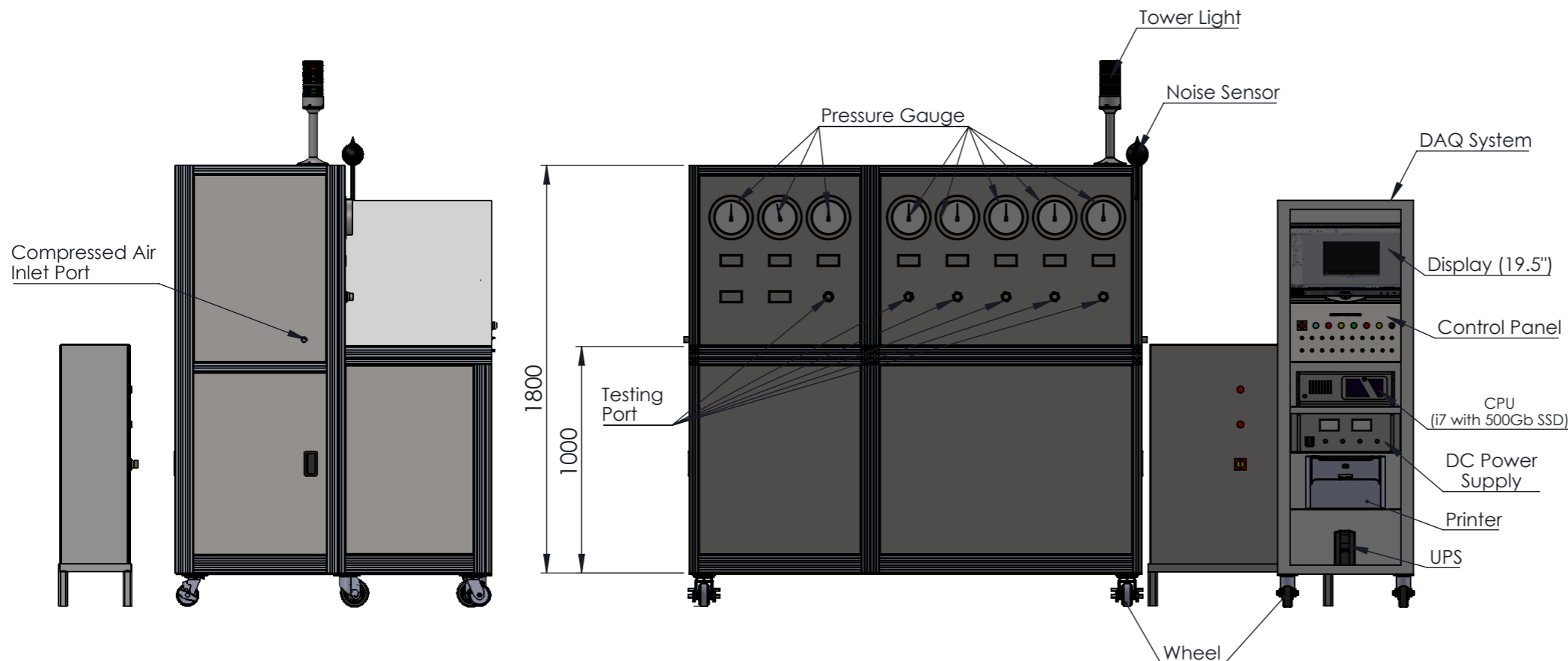
THIS DWG. IS SOLE PROPERTY OF NEOMETRIX ENGINEERING PVT. LTD. UNAUTHORISED USE OF THIS DWG. OR MAKING PRODUCT AS PER THIS DWG. WITHOUT OUR PERMISSION OR ANY OTHER MISUSE IS NOT PERMITTED.



TOP VIEW



ISOMETRIC VIEW



LEFT SIDE VIEW

FRONT VIEW

NOTE:-

1. ALL DIMENSIONS ARE IN MM.
2. USED HEAVY AL. PROFILE 80x40 & 40x40

| | | | |
|------------------------|----------------------------|-------------------------------------|-----------------------------|
| | | NEOMETRIX ENGINEERING PVT. LTD. | |
| | | E-148, Sector-63, Noida, UP-201301 | |
| www.neometrixgroup.com | | Tel. No. :- 0120-4500800 | |
| | | Fax No. :- 0120-4500888 | |
| | | Email :- contact@neometrixgroup.com | |
| MAIN TITLE | UNIVERSAL BRAKE TEST BENCH | QA No. | |
| SUB - TITLE | FRAME ASSEMBLY | Cross Ref. Doc. No. | |
| CODE | A2674 | Customer Dwg./Ref. No. | |
| CUSTOMER | -- | NOTE:- | |
| END-USER | -- | | |
| PO.NO. | -- | | |
| PROJECTION | DRAWN BY & DATE | M.F | 12/03/2022 |
| | CHECKED BY & DATE | B.K | 12/03/2022 |
| | APPROVED BY & DATE | S.P.S | 12/03/2022 |
| | | Size | A3 |
| | | Scale | NTS |
| | | Sheet No. | 01 |
| | | Of | 01 |
| | | NEO. DWG. No. | T-PED-A2674-MDWG-FRAME ASSY |
| | | REV | 01 |