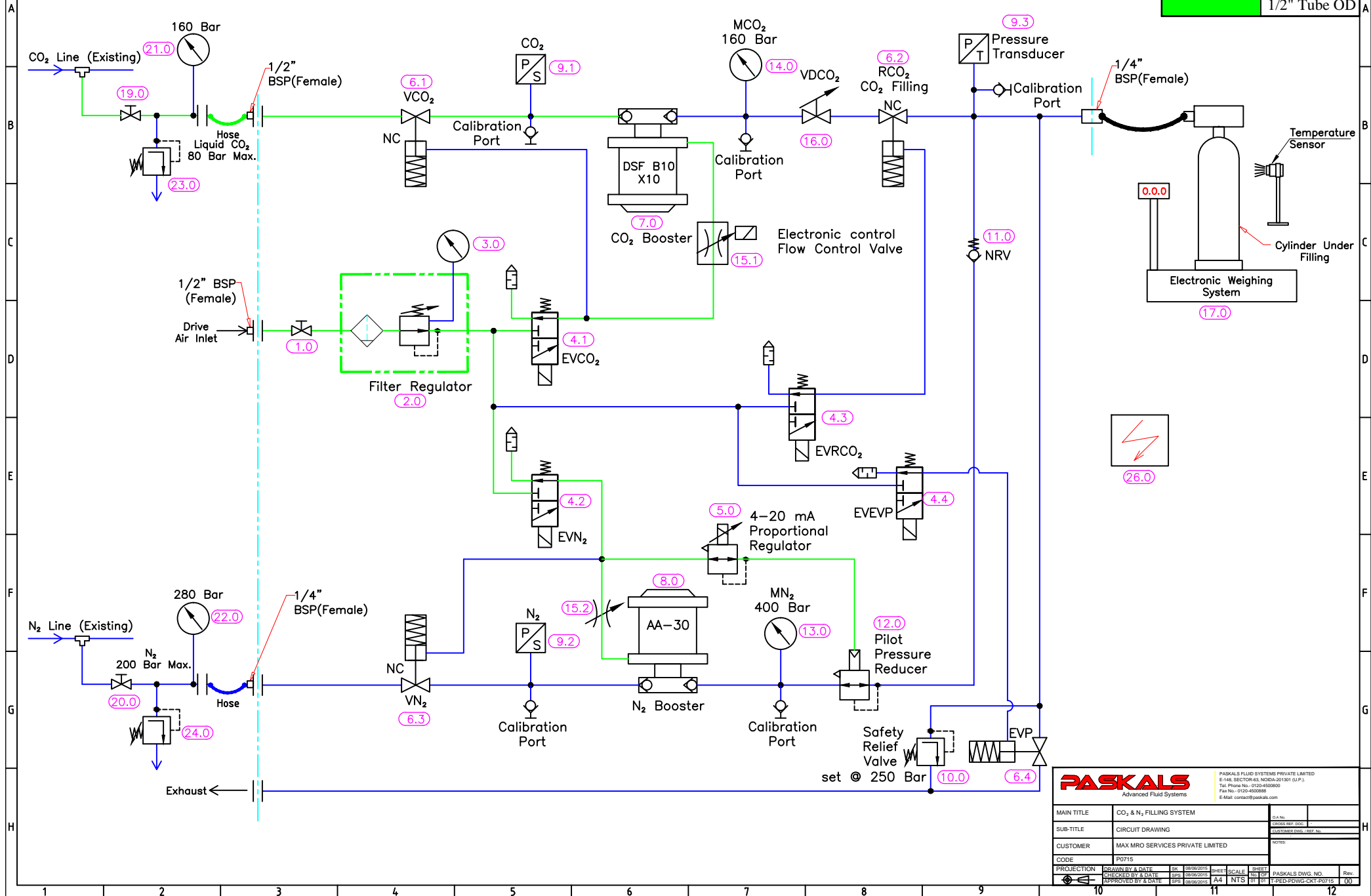


THIS DWG. IS SOLE PROPERTY OF PASKALS FLUID SYSTEMS PVT. LTD.
 UNAUTHORISED USE OF THIS DWG. OR MAKING PRODUCT AS PER THIS DWG.
 WITHOUT OUR PERMISSION OR ANY OTHER MISUSE IS NOT PERMITTED.

Colour	Tube Size
	1/4" Tube OD
	1/2" Tube OD



PASKALS Advanced Fluid Systems		PASKALS FLUID SYSTEMS PRIVATE LIMITED E-MAIL: SALES@PASKALS.COM TEL: 0120-4500800 FAX: 0120-4500808 E-MAIL: CONTACT@PASKALS.COM	
MAIN TITLE	CO ₂ & N ₂ FILLING SYSTEM	DATE	
SUB-TITLE	CIRCUIT DRAWING	DRAWN BY	
CUSTOMER	MAX MRO SERVICES PRIVATE LIMITED	CHECKED BY	
CODE	P0715	APPROVED BY	
PROJECTION	DRAWN BY & DATE	CHK	08/09/2015
	CHECKED BY & DATE	APP	08/09/2015
		SCALE	1:1
		SHEET	1 OF 1
		PASKALS DWG. NO.	T-PED-PDWG-CRT-20715
		Rev.	00