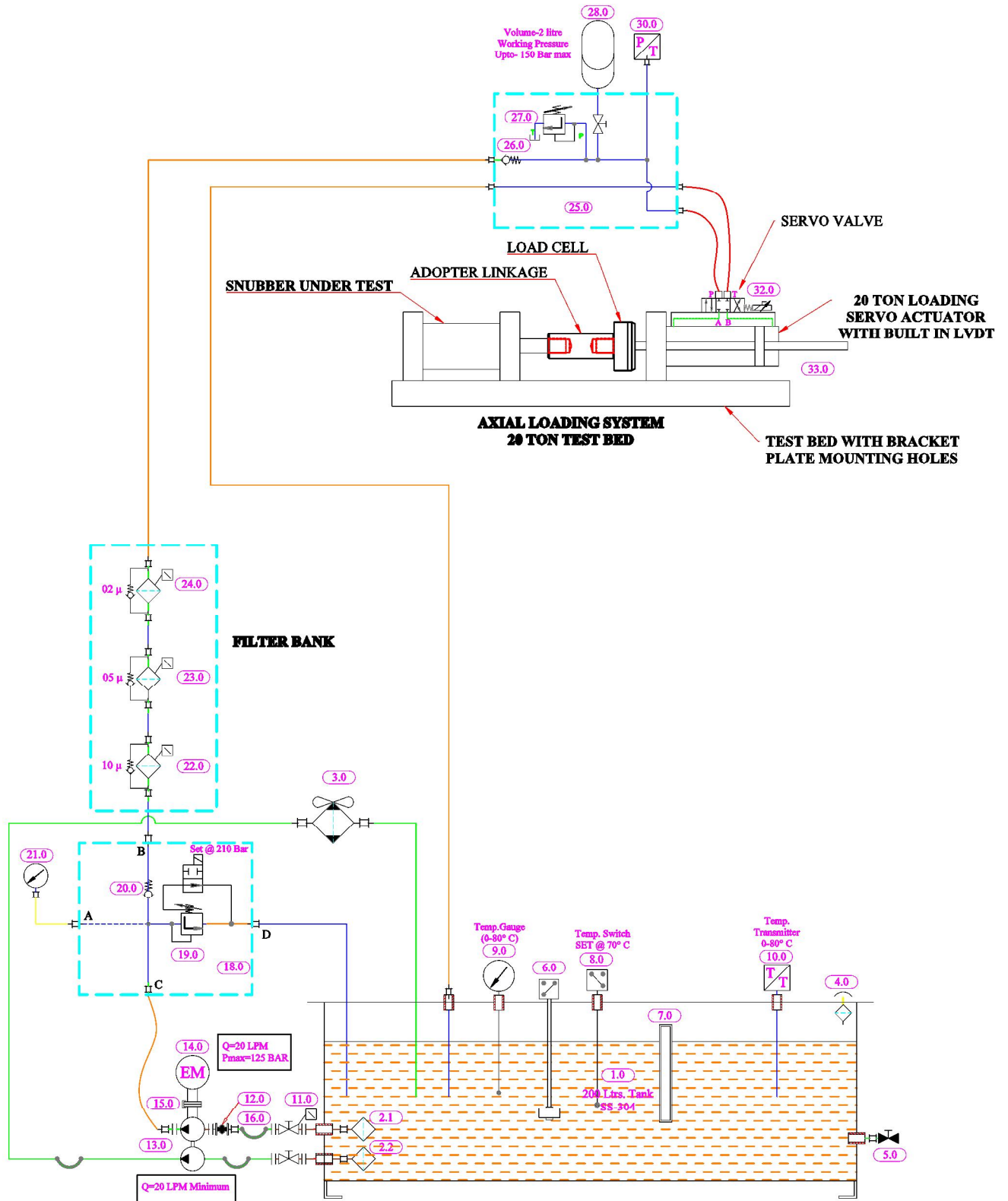


THIS DWG. IS SOLE PROPERTY OF NEOMETRIX ENGINEERING PVT. LTD.  
 UNAUTHORISED USE OF THIS DWG. OR MAKING PRODUCT AS PER THIS DWG.  
 WITHOUT OUR PERMISSION OR ANY OTHER MISUSE IS NOT PERMITTED.



**Note:- Tentative Hydraulic circuit Diagram only for Quotation reference.**

		NEOMETRIX ENGINEERING PVT.LTD. 24-40, Sector-02, Gurgaon, UP-024004 Tel No. - 0120-400000 Fax No. - 0120-400000 E-Mail: <a href="mailto:enquiry@neometrix.in">enquiry@neometrix.in</a>	
		MAIN TITLE: <b>HYDRAULIC TEST FACILITY</b> SUB - TITLE: <b>HYDRAULIC CIRCUIT DIAGRAM</b> CODE: <b>A1000</b> CUSTOMER: _____ TENDER NO. _____	
PROJECT: <b>HEAVY &amp; MACH</b> DESIGNED BY: <b>ADARSH</b> APPROVED BY: <b>ADARSH</b>		DATE: <b>16/02/24</b> SCALE: <b>A2</b> SHEET: <b>NTS</b> OF <b>10</b> Dwg. No. <b>240-0000-0000-0000</b> Rev. <b>00</b>	