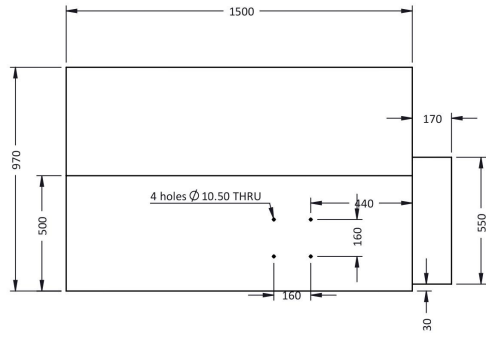
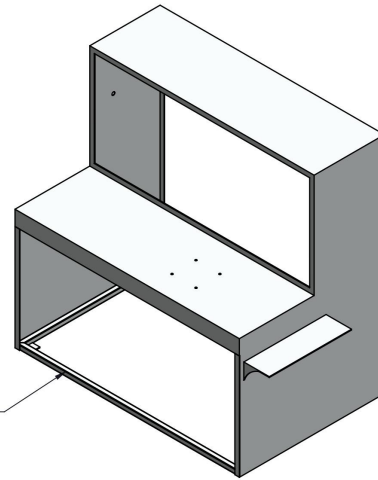


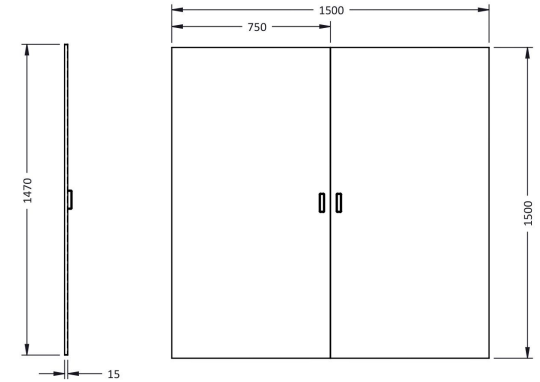
THIS DWG IS SOLE PROPERTY OF NEOMETRIX ENGINEERING PVT. LTD. UNAUTHORISED USE OF THIS DWG OR MAKING PRODUCT AS PER THIS DWG, WITHOUT OUR PERMISSION OR ANY OTHER MISUSE IS NOT PERMITTED.



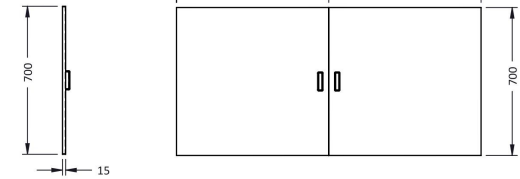
TOP VIEW



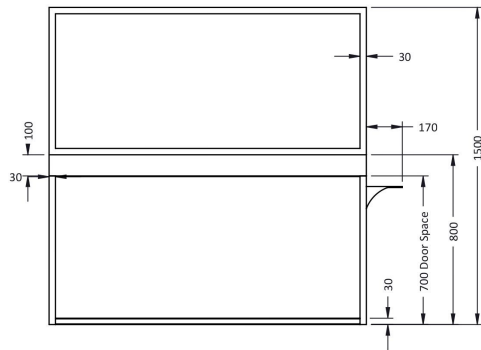
ISOMETRIC VIEW



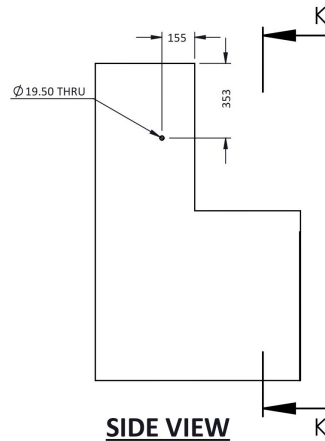
**CONTROL PANEL
BACK DOOR**



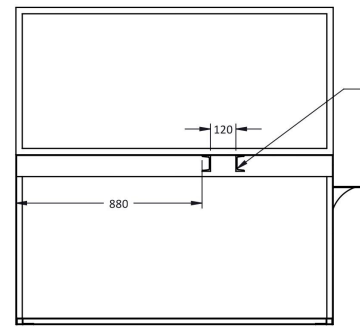
**CONTROL PANEL
FRONT DOOR**



FRONT VIEW



SIDE VIEW



**SECTION K-K
SCALE 1 : 24**

CONTROL PANEL BACK DOOR(OPENABLE)	
OVERALL DIMENSION	750+750(L)X1470(H)
SHEET THICKNESS	2mm
MATERIAL	MILD STEEL
WEIGHT	30 kg(approx.)

CONTROL PANEL FRONT DOOR(OPENABLE)	
OVERALL DIMENSION	720+720(L)X675(H)
SHEET THICKNESS	2mm
MATERIAL	MILD STEEL
WEIGHT	12 kg(approx.)

NOTE:

- All Dimensions are in mm.
- Clean Surface properly before Powder Coating.
- Remove all Sharp Edges by Radius 3.0 mm.

**TEST STAND FOR
PROOF PRESSURE TEST SETUP**

DESIGN DATA	
OVERALL DIMENSION	1500(L)X1100(B)X1500(H)
MATERIAL	MID STEEL
SHEET THICKNESS	2mm
POWDER COATING	RAL 9010
BASE MOUNTING TYPE	CATOR WHEEL Ø 100
WEIGHT	70kg

		NEOMETRIX ENGINEERING PVT LTD E-148, Sector-03, Noida, UP-201301 Tel No. : 0120-4100800 Fax No. : 0120-4100800 Email : contact@neometrixgroup.com	
		MAIN TITLE SUB - TITLE CODE CUSTOMER CONTRACTOR PO. NO.	Q.A No. Cross Ref. Doc. No. Customer Dwg./Ref. No. Note:
PROJECTION DRAWN BY & DATE CHECKED BY & DATE APPROVED BY & DATE	N.K S.H. S.P.S.	25/11/2017 25/11/2017 25/11/2017	Size Scale Sheet No./of NTS 01/01
NEO, DWG. No.		T-PED-A1782-MDWG-PPTS-TS	