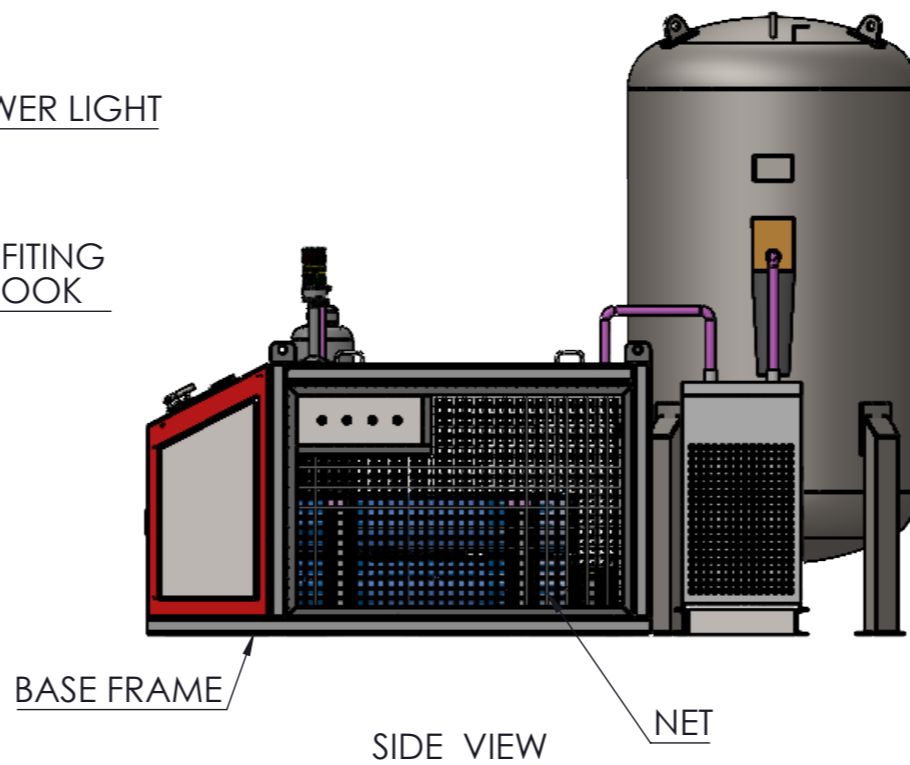
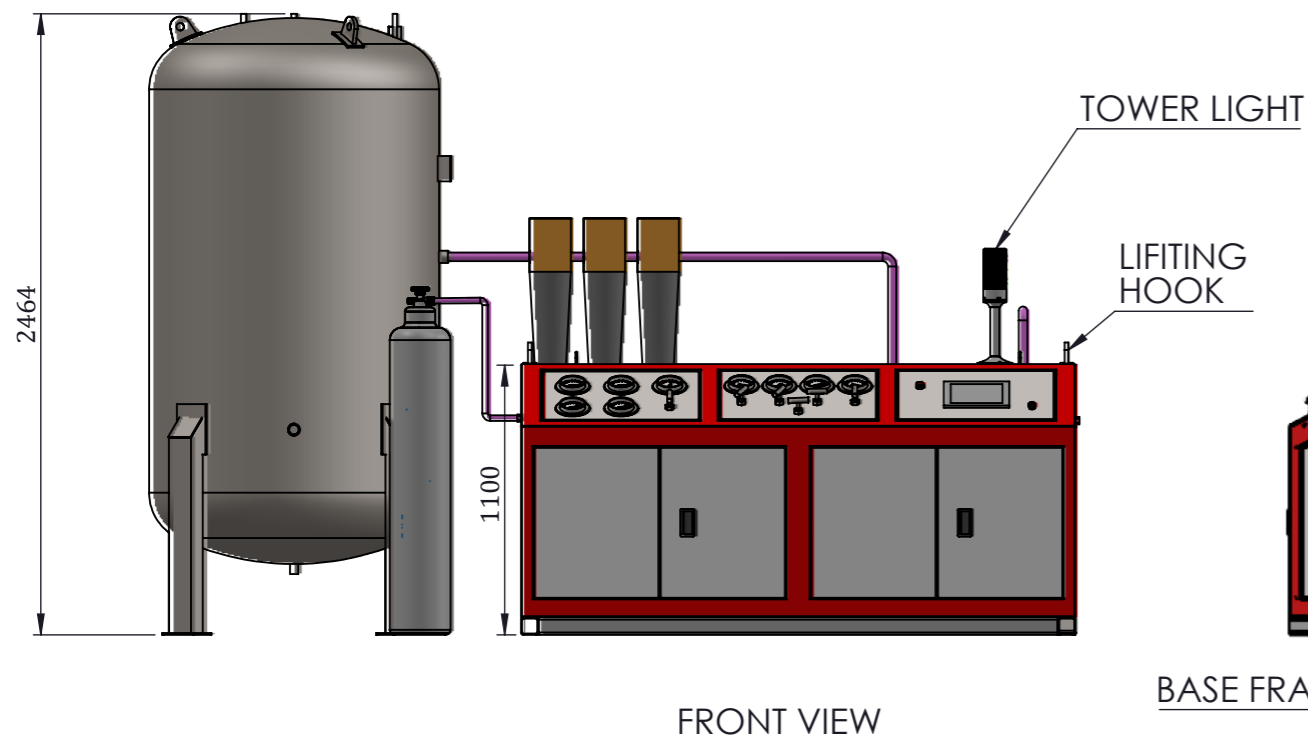
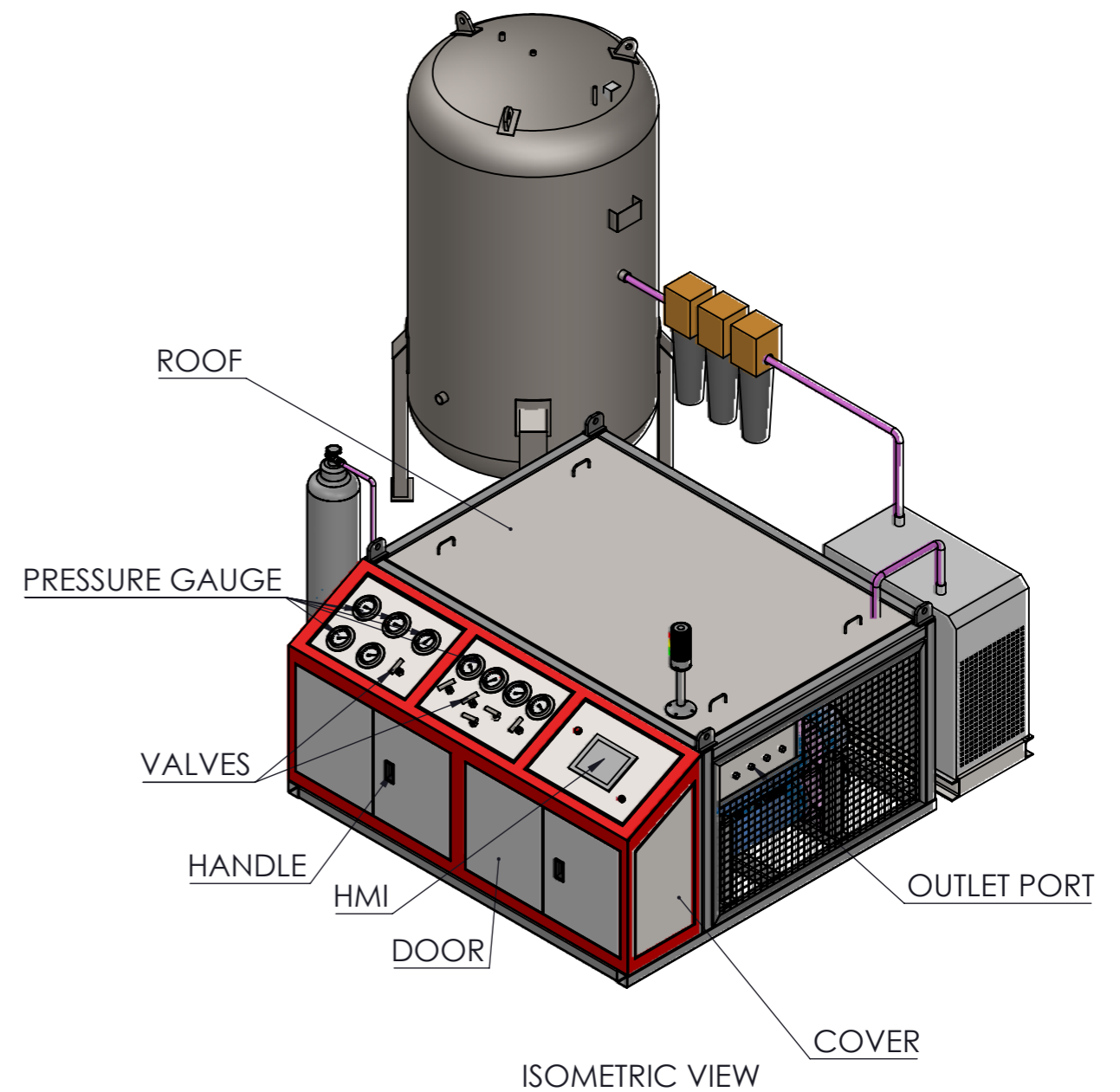
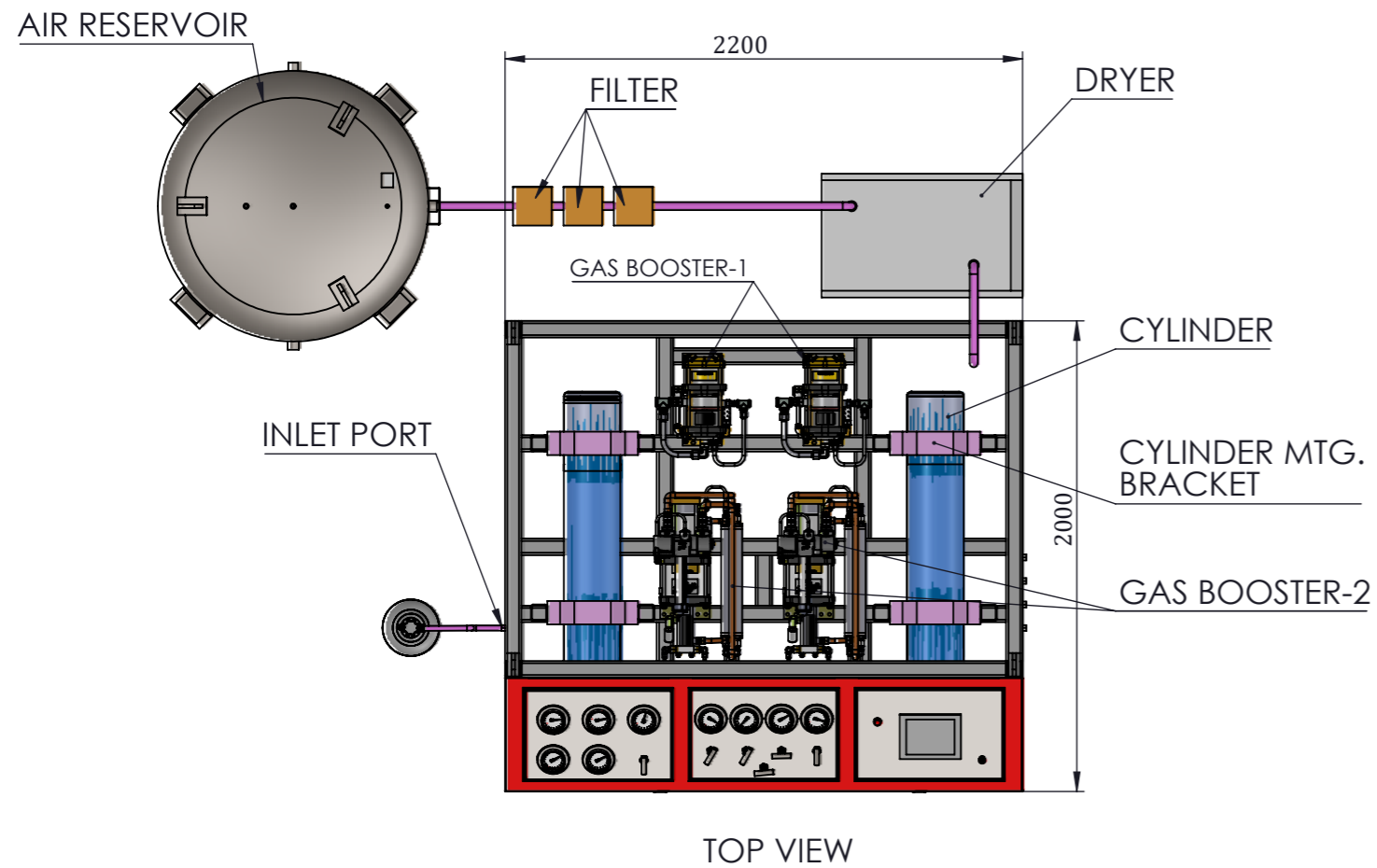


THIS DWG. IS SOLE PROPERTY OF PASKALS FLUID SYSTEMS PVT. LTD.
 UNAUTHORISED USE OF THIS DWG. OR MAKING PRODUCT AS PER THIS
 DWG. WITHOUT OUR PERMISSION OR ANY OTHER MISUSE IS NOT
 PERMITTED.



PASKALS Advanced Fluid Systems										PASKALS FLUID SYSTEMS PVT. LTD. E-148, Sector-63, Noida, UP-201301 Tel. No. :- 0120-4500800 Fax No. :- 0120-4500888 Email :- contact@neometrixgroup.com			
										QA No.			
MAIN TITLE	OXYGEN BOOSTING SYSTEM								Cross Ref. Doc. No.				
SUB - TITLE	GA DRAWING								Customer Dwg./Ref. No.				
CODE	P1950								NOTE:-				
CUSTOMER	--												
END-USER	--												
PO.NO.	--												
PROJECTION	DRAWN BY & DATE	M.F	14/01/2022	Size	Scale	Sheet	NEO. DWG. No.		REV				
	CHECKED BY & DATE	S.K	14/01/2022	A3	NTS	No. Of.	T-PED-A1950-GADWGC-08S		00				
	APPROVED BY & DATE	S.P.S	14/01/2022			01							