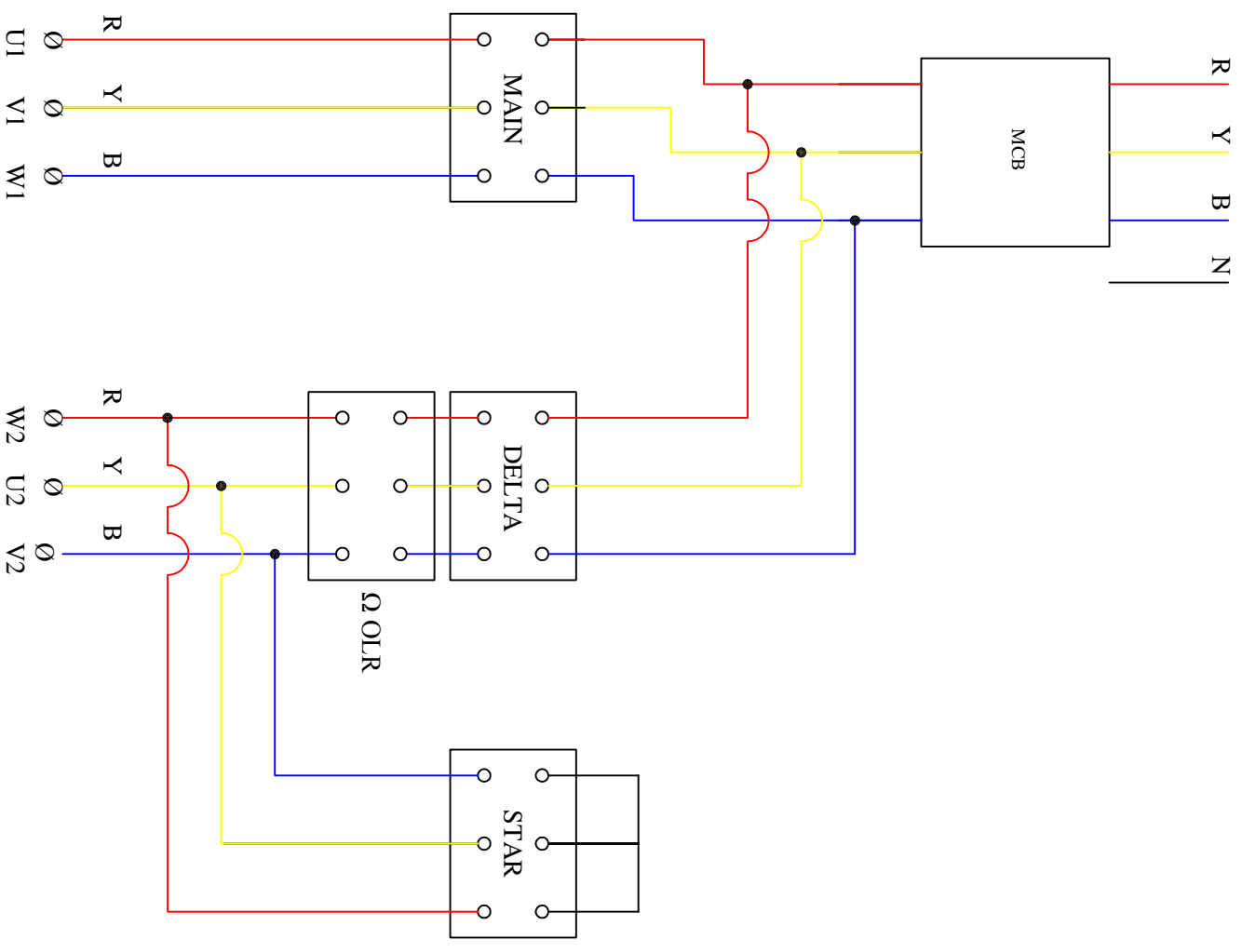


THIS DWG. IS SOLE PROPERTY OF NEOMETRIX ENGINEERING PVT. LTD.
 UNAUTHORISED USE OF THIS DWG. OR MAKING PRODUCT AS PER THIS DWG.
 WITHOUT OUR PERMISSION OR ANY OTHER MISUSE IS NOT PERMITTED.



NEOMETRIX		NEOMETRIX ENGINEERING PVT LTD	
www.neometrixtechnology.com		E: LAR, Sanoor, G3, Noida, UP-201301	
Performance Test Rig For Main Rotor Actuators		Tel. No.- 0120-4490888	
POWER CIRCUIT STARTER - DELTA STARTER		Fax No.- 0120-4490888	
MAIN TITLE	O.A. No.	CROSS REF. DOC.	Rev.
SUB - TITLE		CUSTOMER DWG./RFP No.	
CODE	A8860	NOTES	
CUSTOMER	HAL, LUCKNOW		
END USER	HAL, LUCKNOW		
PO. NO.	DN30094911, 280452006		
REVISION	DESCRIPTION & DATE	SCALE	DATE
	ISS	1:1	01/07/20
	ISS	1:1	01/07/20
	ISS	1:1	01/07/20
APPROVED BY & DATE	ISS	SIZE	NTS
		A4	NTS
			00