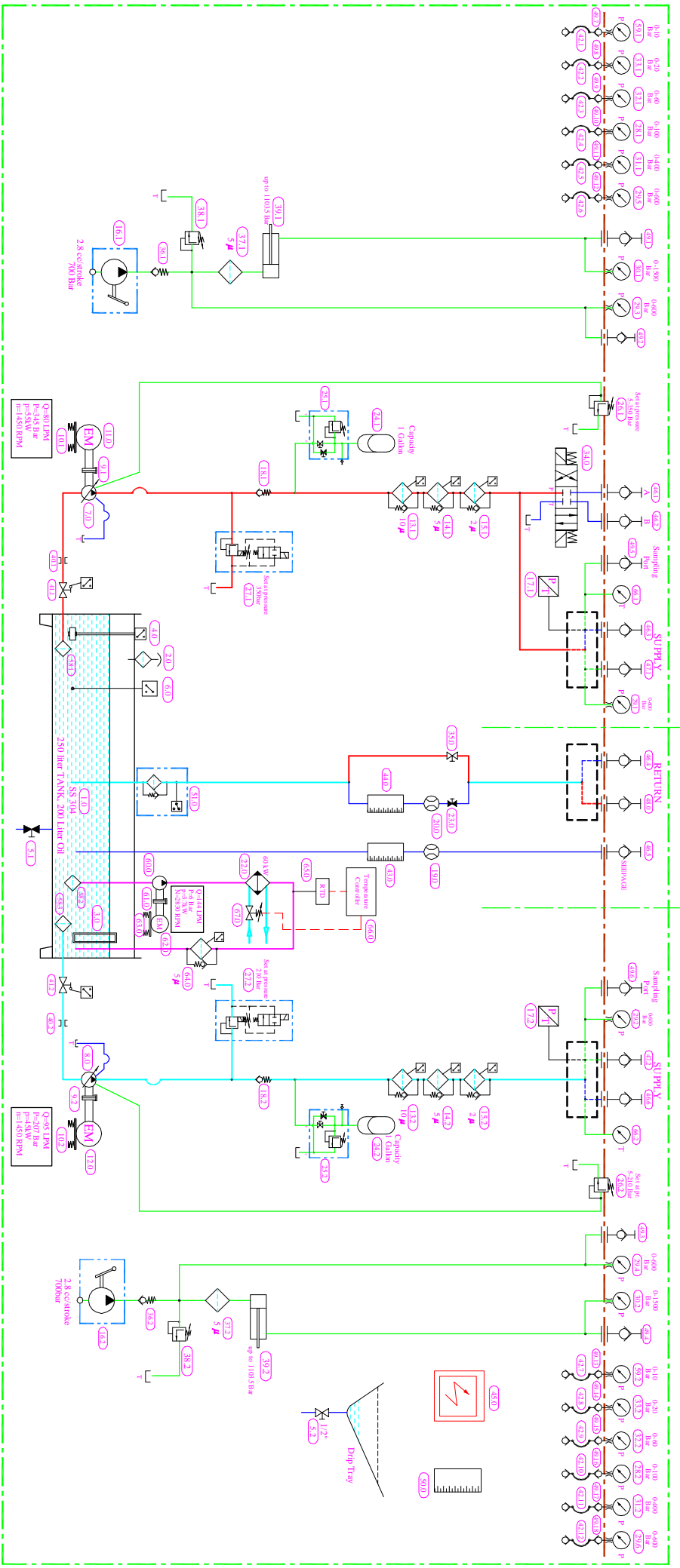


Colour	Pipe size
Green	1/4"
Blue	1/2"
Red	1"
Magenta	1 1/4"
	2-1/2"

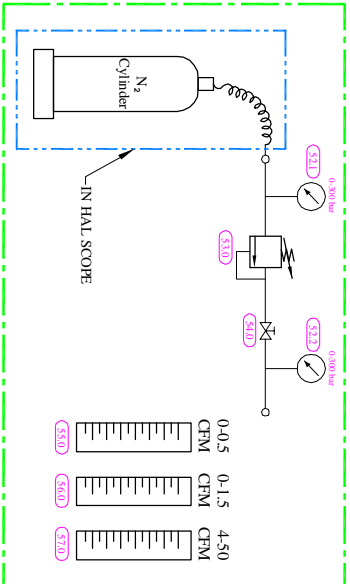
SYSTEM-I

COMMON RETURN & FLOW/SEEPAGE MEASUREMENT SYSTEM

SYSTEM-II



1. WORKING PRESSURE: 350 BAR
2. TEST PRESSURE: 350 BAR FROM EXTERNAL SOURCE.



NEOMETRIX

www.neometrixtechnology.com

NEOMETRIX ENGINEERING PVT.LTD.
D-115, Sector-68, Mohd-201301(DP)
Tel. No. +91-120-4264500-504;
Fax No. +91-120-4264505
E-Mail: contact@neometrix.in

MAIN TITLE: HYDRAULIC TEST RIG FOR AIRCRAFT

SUB - TITLE: HYDRAULIC CIRCUIT DIAGRAM

PO NO.: P/8003/06/6-8807

PO DATE: 06/09/2007

CUSTOMER: HAL KANPUR

APPLICATION: AIRCRAFT

PROJECTION: DRAWN BY & DATE SK: 08/04/08

CHECKED BY & DATE: RKST 10/04/08

APPROVED BY & DATE: A2 NTS 01/01/08

Q.A. No.	8767
CROSS REF. DOC.	
CUSTOMER DWG. / REF. No.	
NOTES	
SHEET No. OF	NX DWG. NO.
01	1-DAY-HDWG-AM674
11	Rev.
12	02