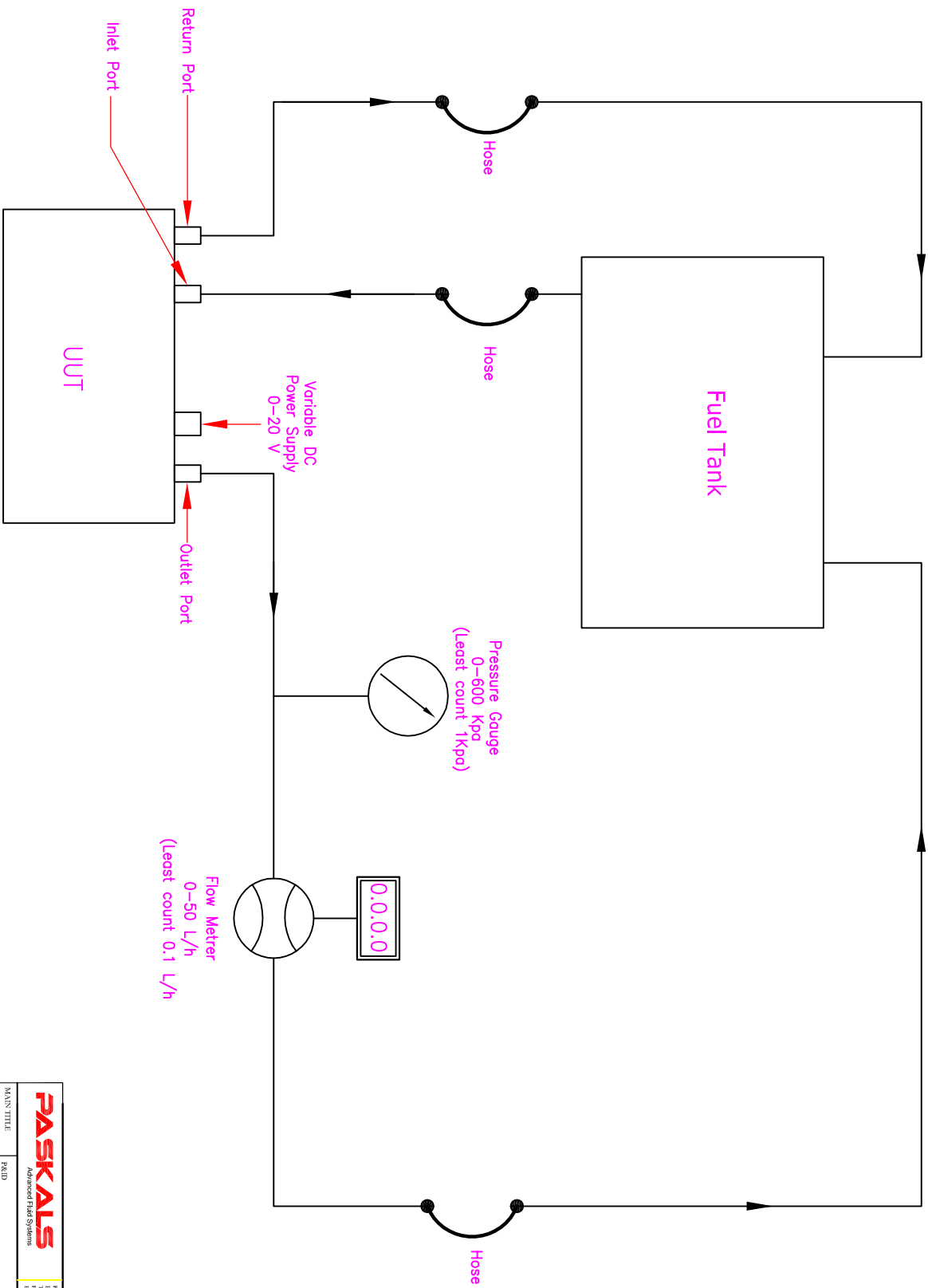


THIS DWG. IS SOLE PROPERTY OF PASKALS FLUID SYSTEMS PVT. LTD.
 UNAUTHORISED USE OF THIS DWG. OR MAKING PRODUCT AS PER THIS DWG.
 WITHOUT OUR PERMISSION OR ANY OTHER MISUSE IS NOT PERMITTED.



Colour	Tube Size
Cyan	1/8" Tube OD
Blue	1/4" Tube OD
Green	1/2" Tube OD

PASKALS Advanced Fluid Systems		PASKALS FLUID SYSTEMS PRIVATE LIMITED 1st Floor, Sector 15, Gurgaon Haryana 122001, India Phone: +91 98688 22222	
MAIN TITLE	RAID	DRAWN BY	01.8.20
SUB-TITLE	FUEL PUMP TEST RIG	CHECKED BY	01.8.20
CODE	PH690	DATE	01.8.20
PRODUCED BY	INDIAN AUTO LTD.	SCALE	AS SHOWN
APPROVED BY	INDIAN AUTO LTD.	DATE	01.8.20