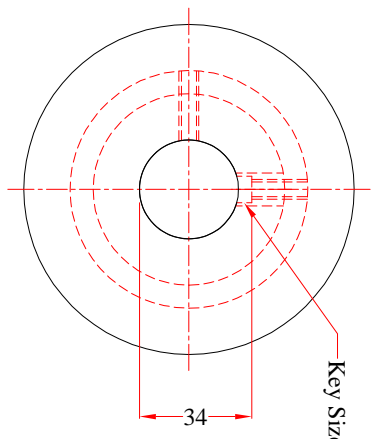
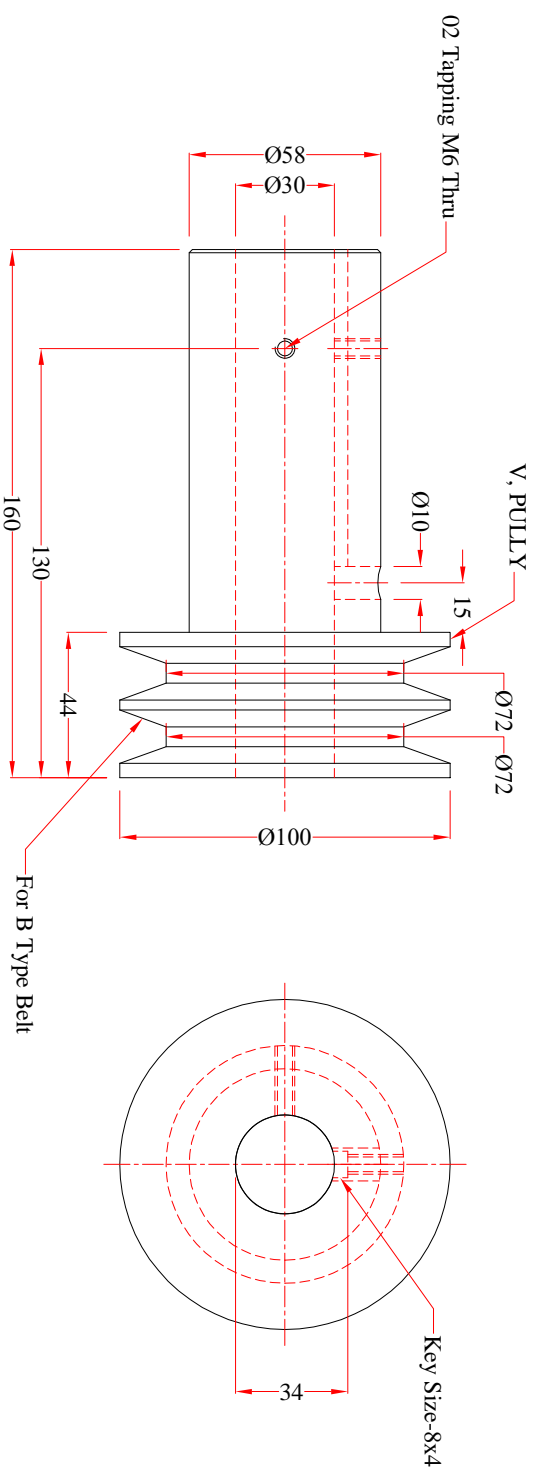


REV NO.	ZONE	REVISIONS	DATE



MATERIAL C1 (ONLY JOB WORK)

MANUFACTURING PROCESS

NO.	DESCRIPTION	QTY	UNIT
1.	MACHINING	10	Nos.
2.			
3.			
4.			
5.			
6.			
7.			
8.			
9.			
10.			

BOUGHT ITEM

Q.A. PLAN

ALL FLAG DIMENSION ARE CRITICAL.

QUANTITY 10 Nos.

PREPARED BY: PK		CHECKED BY: AKS		APPROVED BY: SPS	

Notes:-

All Dimensions are in mm.
 All Corners should be chamfered.