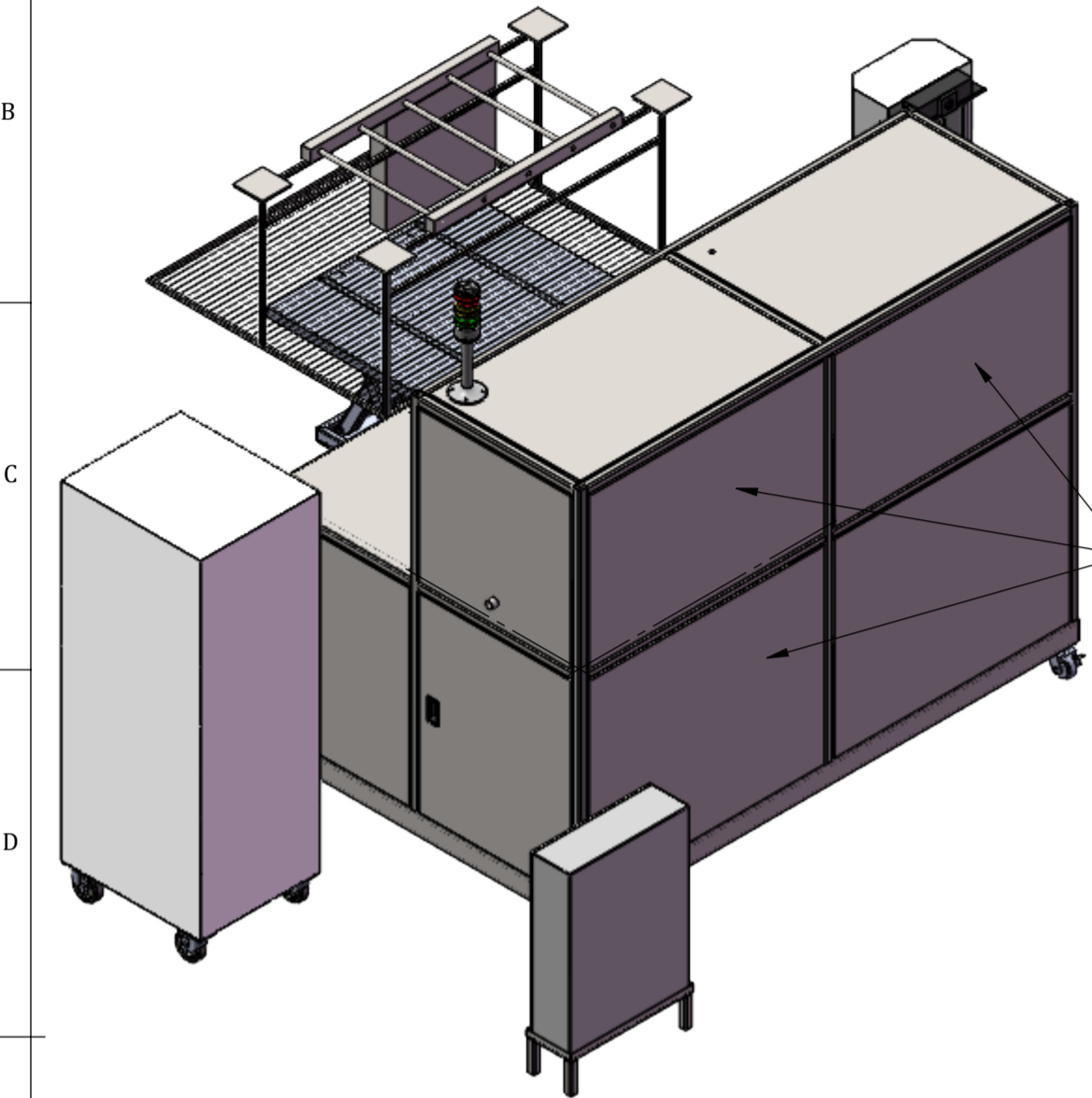
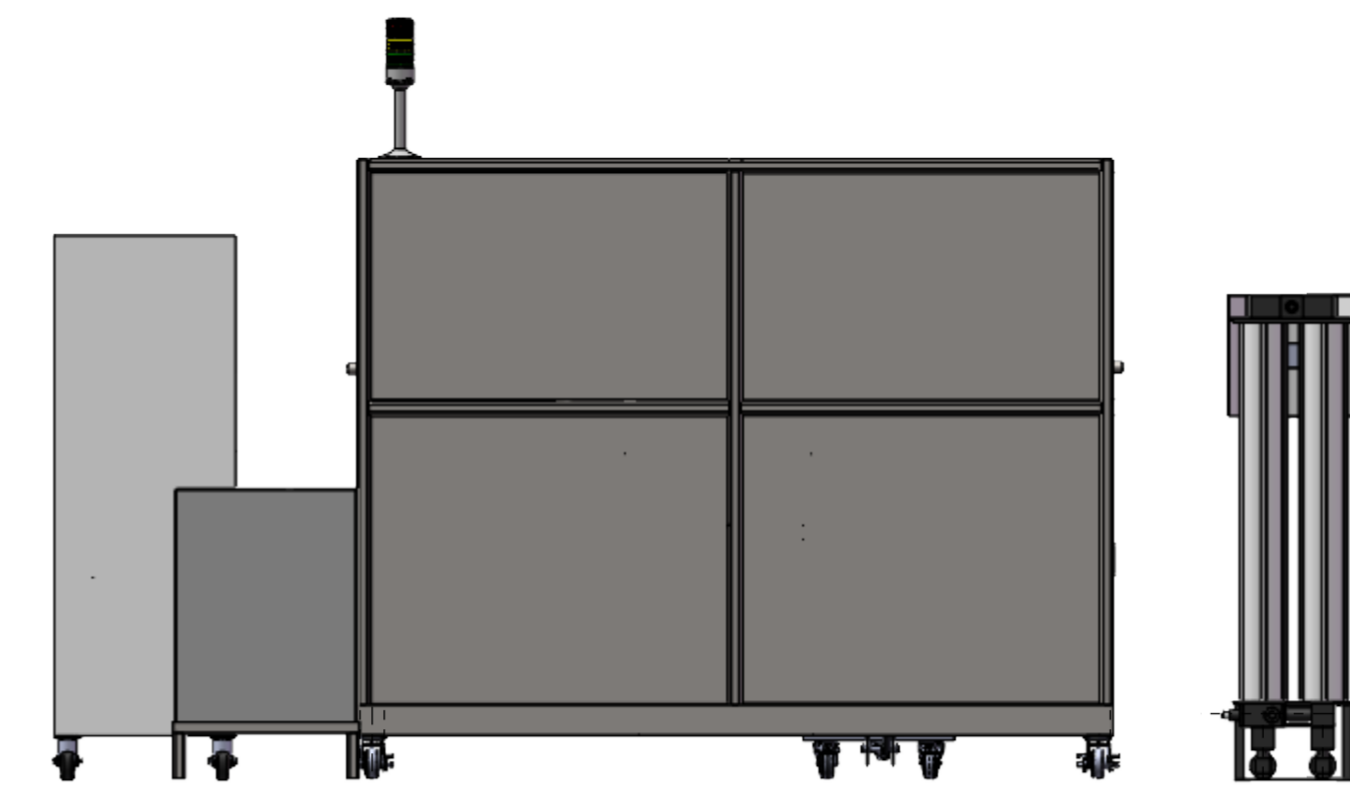


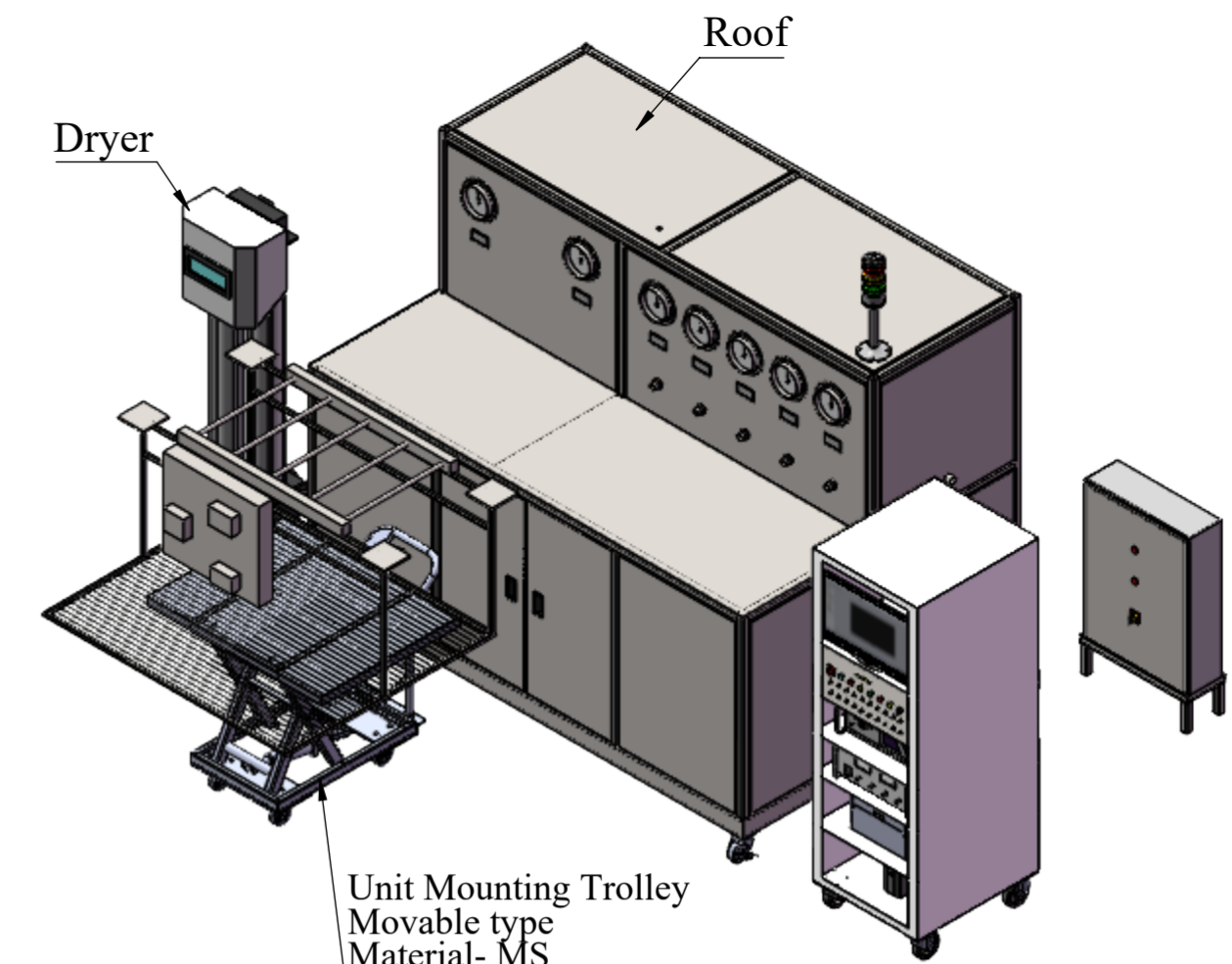
THIS DWG. IS SOLE PROPERTY OF NEOMETRIX ENGINEERING PVT. LTD. UNAUTHORISED USE OF THIS DWG. OR MAKING PRODUCT AS PER THIS DWG. WITHOUT OUR PERMISSION OR ANY OTHER MISUSE IS NOT PERMITTED.



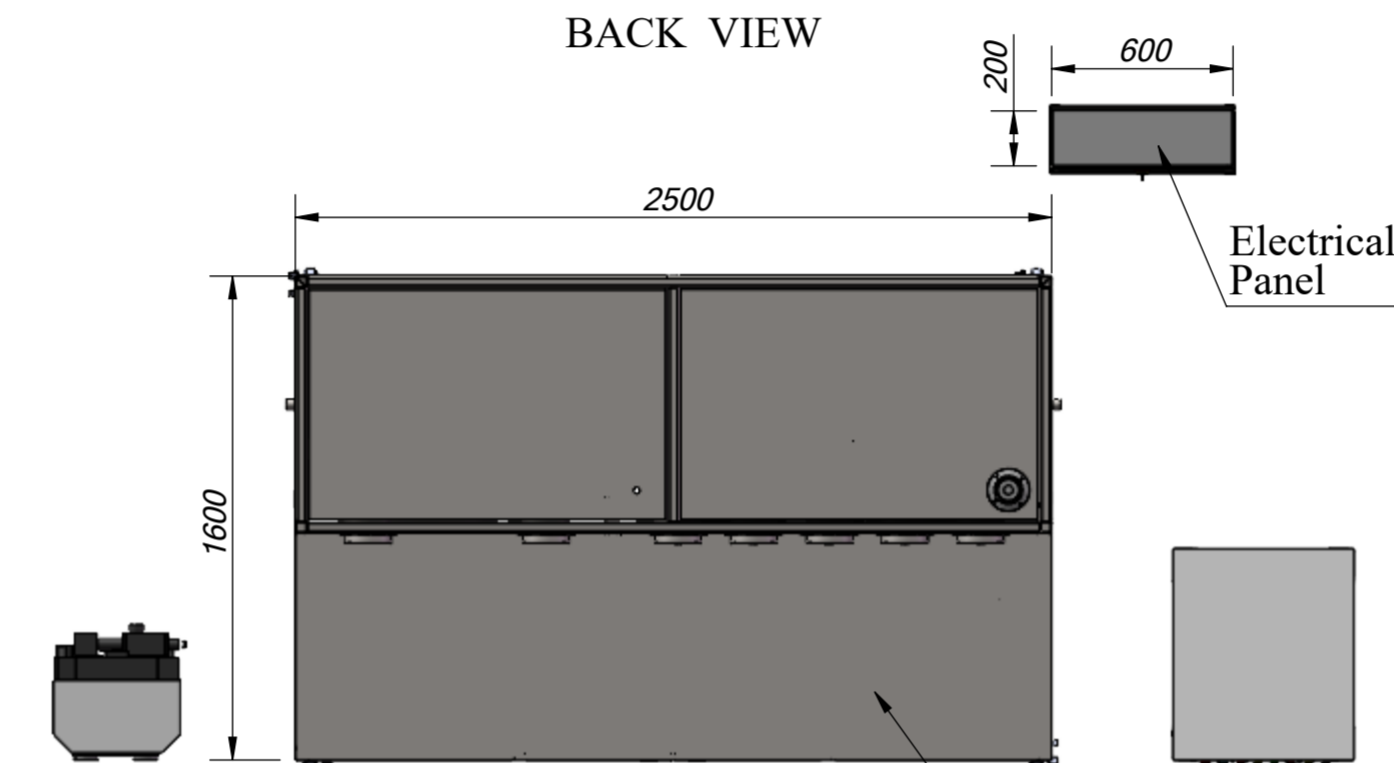
ISOMETRIC VIEW



BACK VIEW

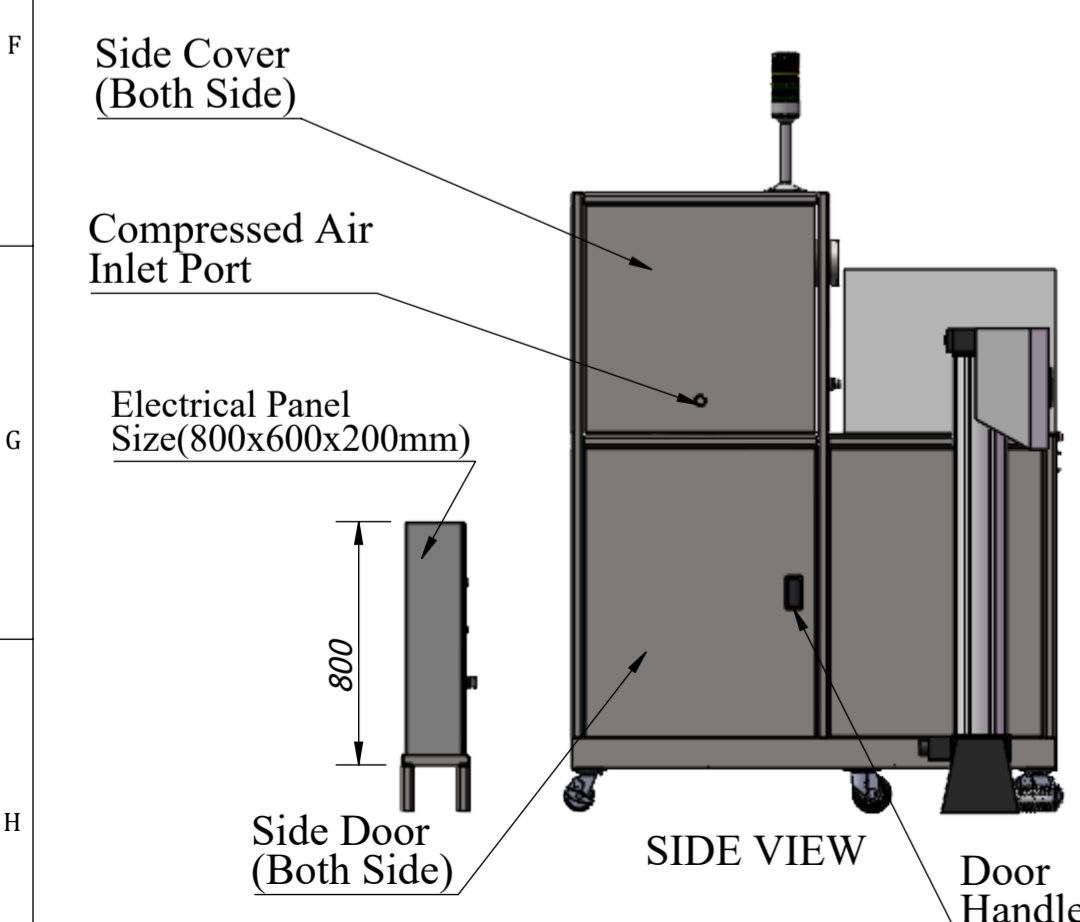
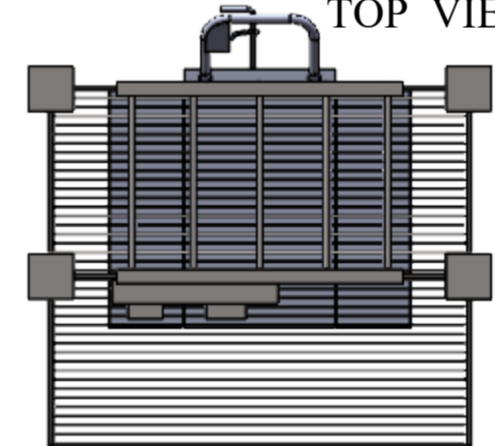


ISOMETRIC VIEW

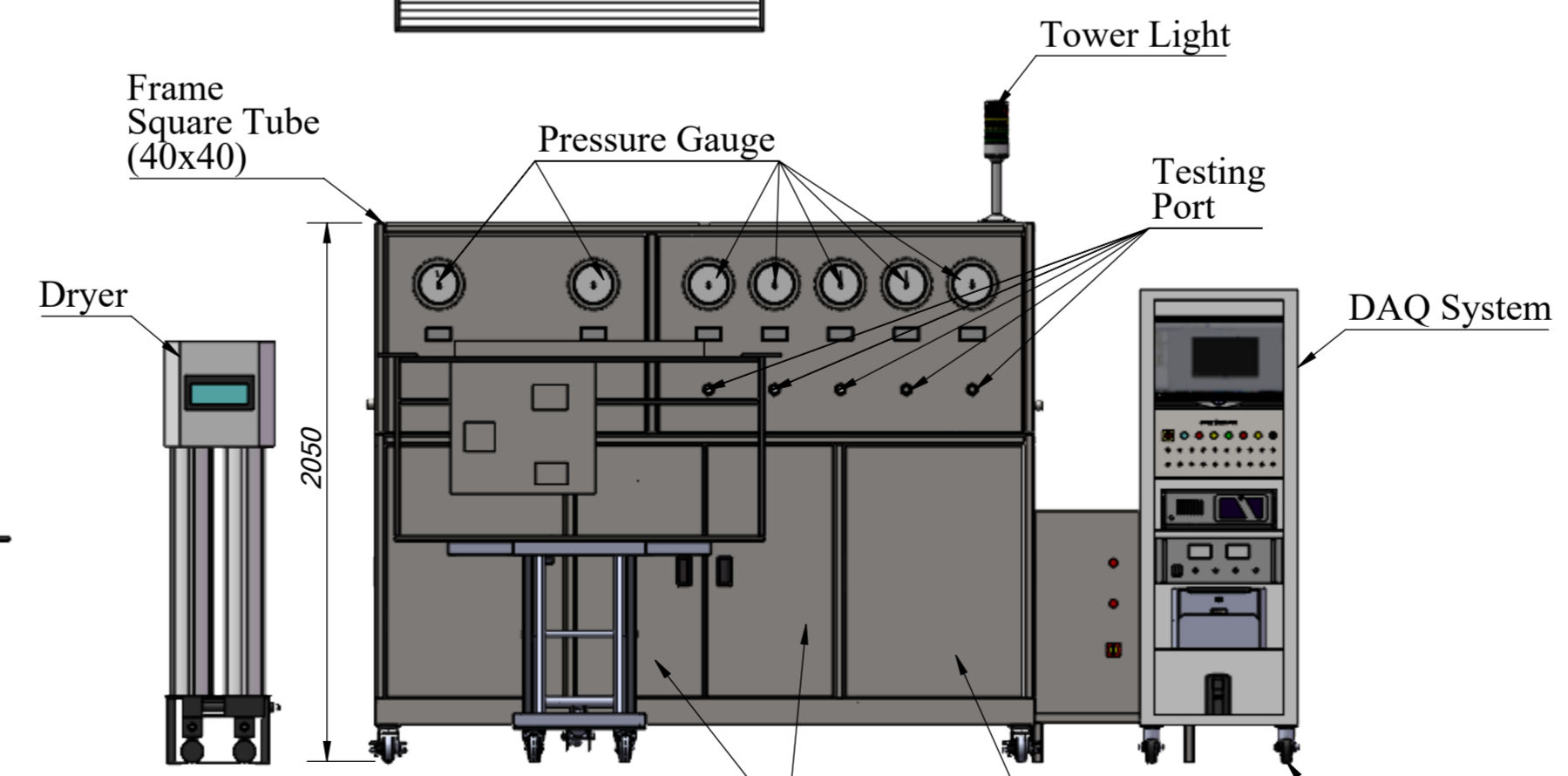


TOP VIEW

UNIT MOUNTING TROLLEY MOVEABLE TYPE	
PLATFORM SIZE	855x1000x50 MM
CAPACITY	MAX. 500 KG.
LIFTING HEIGHT	900 MM (TOL. ±100MM)
CLOSE HEIGHT	350 MM (TOL. +50 MM)
OPERATION	MANUAL



SIDE VIEW



FRONT VIEW

- NOTE:-
1. ALL DIMENSIONS ARE IN MM.
 2. MOC FOR CONTROL PANEL-SS
 3. MOC FOR INTERNAL PIPING (ALUMINIUM)
 4. MATERIAL FOR GAUGE TUBE- SS
 5. USED SQUARE TUBE (40x40 MM) MATERIAL-SS

Note:- This is tentative drawing, subject of change.

NEOMETRIX

NEOMETRIX ENGINEERING PVT LTD
E-148, SECTOR 63, NOIDA, UP-201301
Tel No.: 0120 4500800
Fax No.: 0120 4500888
E-mail: contact@neometrixgroup.com
Design Dept.: design@neometrixgroup.com

TITLE		MCB TEST BENCH FOR PANEL MOUNTED BRAKE SYSTEM			QA No.		
SUB-TITLE		GA DRAWING			Cross Ref Doc No.:		
SRS CODE		A3108			Customer Dwg Ref No.		
CUSTOMER		SSE/ABS/DBWS, C&W WORKSHOP N.F. RAILWAY-DIBRUGARH			NOTE:		
END USER		SSE/ABS/DBWS, C&W WORKSHOP N.F. RAILWAY-DIBRUGARH					
TD/PO. No.		COFMOW/P-1/410070		DATED			
PROJECTION	DRWN	M.F	07/05/2023	SIZE	SCALE	SHEET No	OF
	CHK.	S.H	07/05/2023	A3	NFS	01	01
	APPR.	S.P.S	07/05/2023				
NEO DWG No.							REV
T-DAP-A3108-GADWGW-MTBFPMBS							05