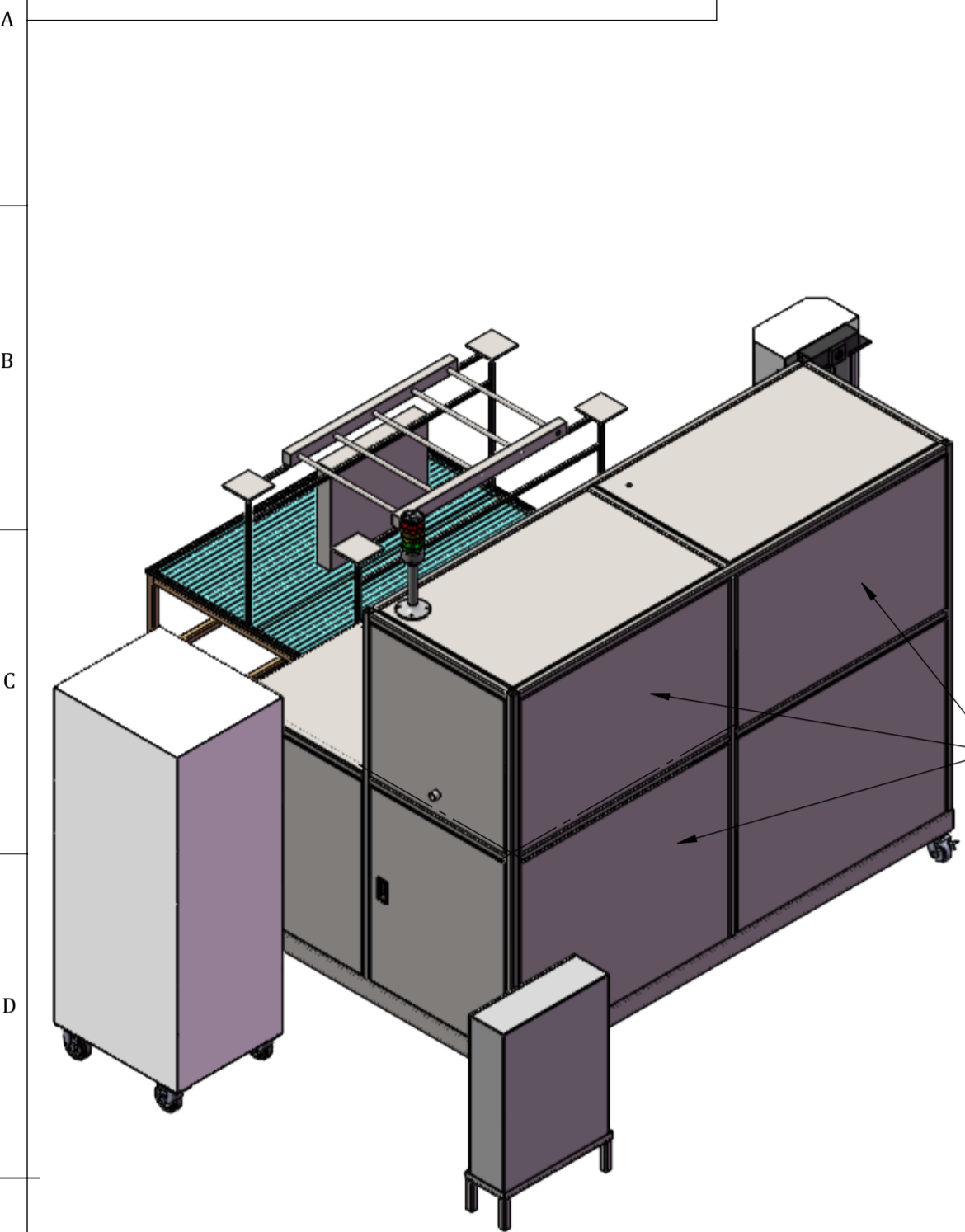
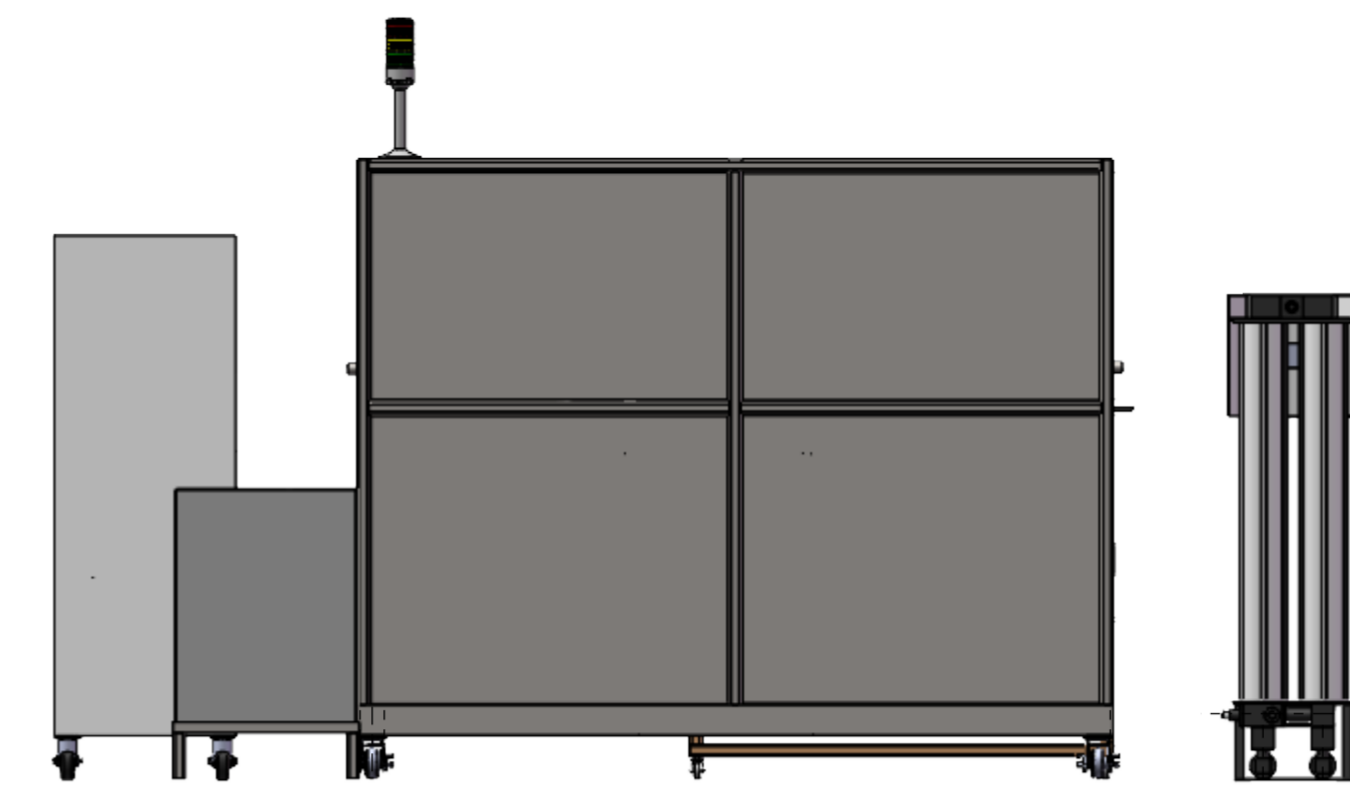


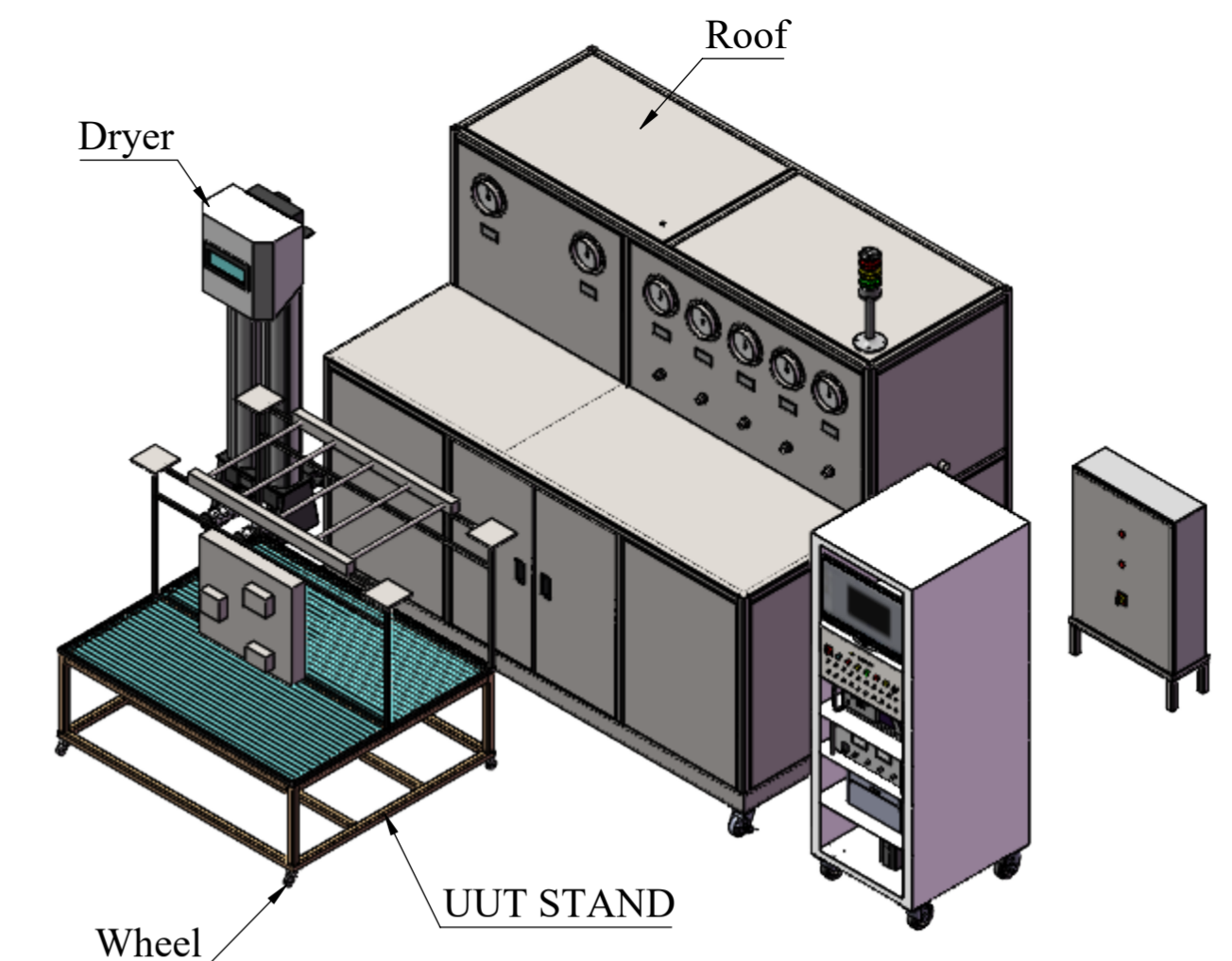
THIS DWG. IS SOLE PROPERTY OF NEOMETRIX ENGINEERING PVT. LTD. UNAUTHORISED USE OF THIS DWG. OR MAKING PRODUCT AS PER THIS DWG. WITHOUT OUR PERMISSION OR ANY OTHER MISUSE IS NOT PERMITTED.



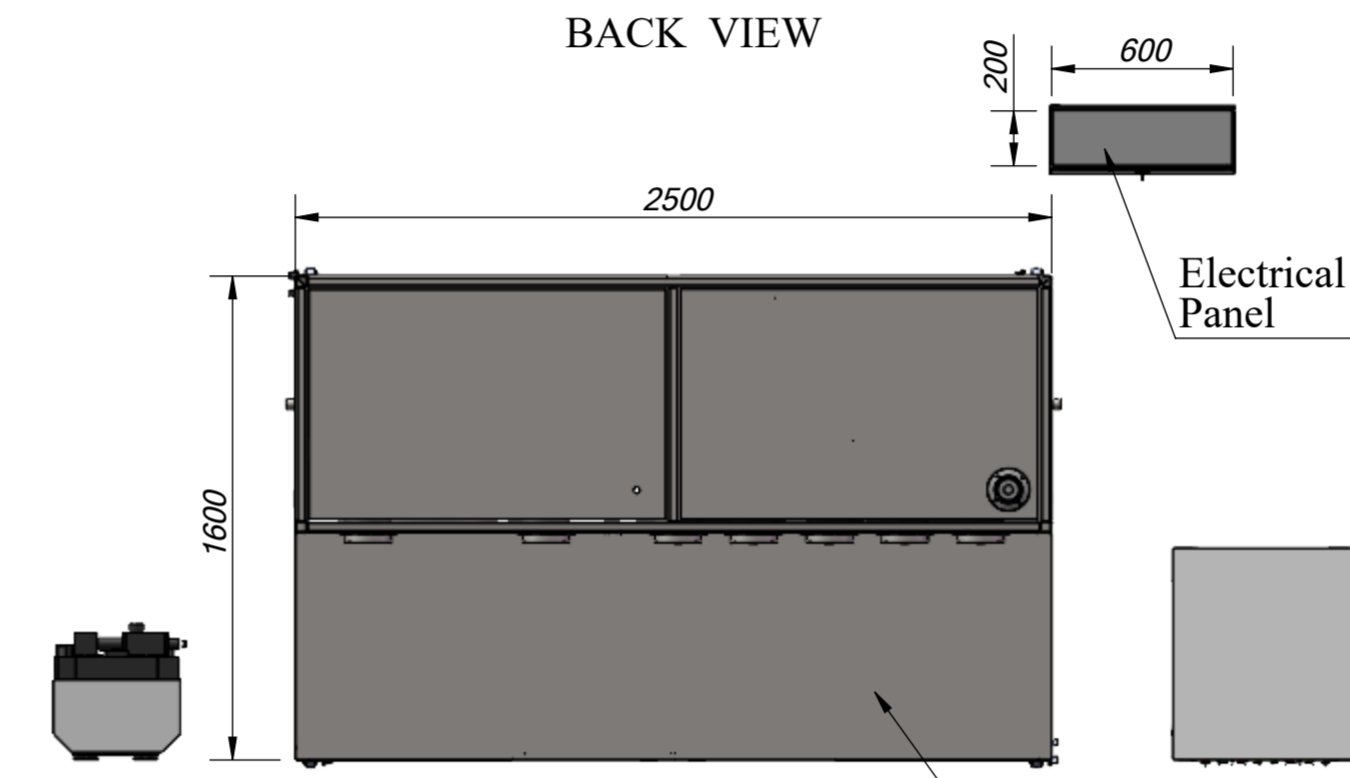
ISOMETRIC VIEW



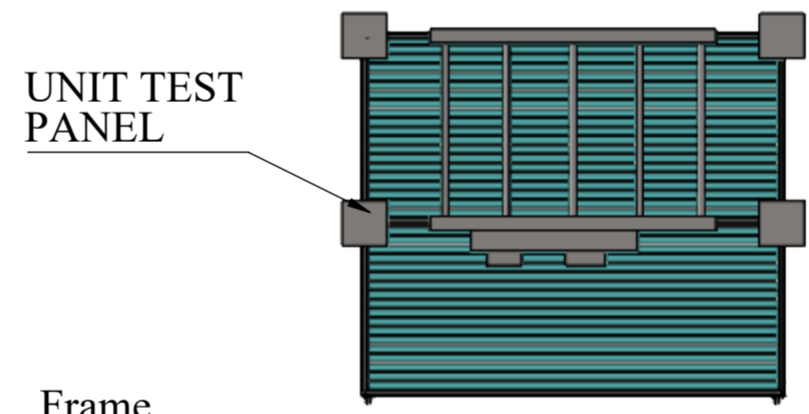
BACK VIEW



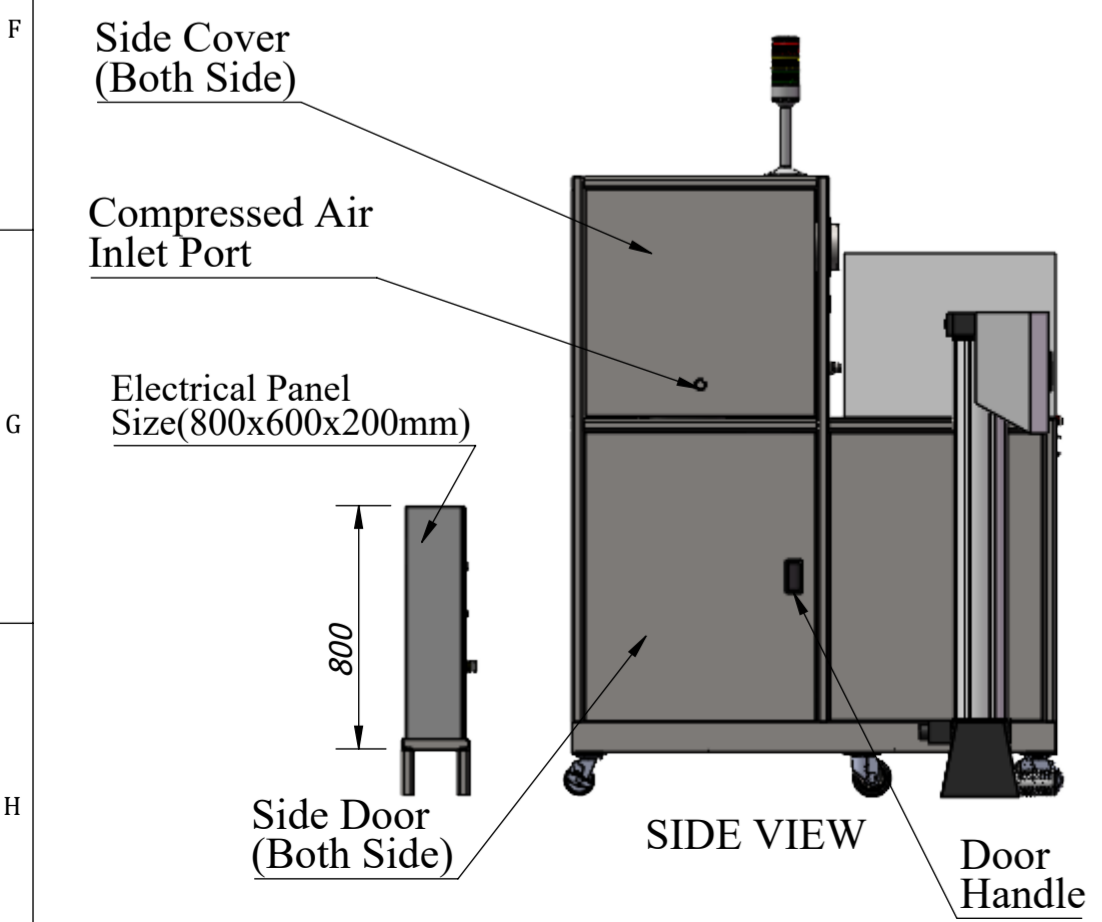
ISOMETRIC VIEW



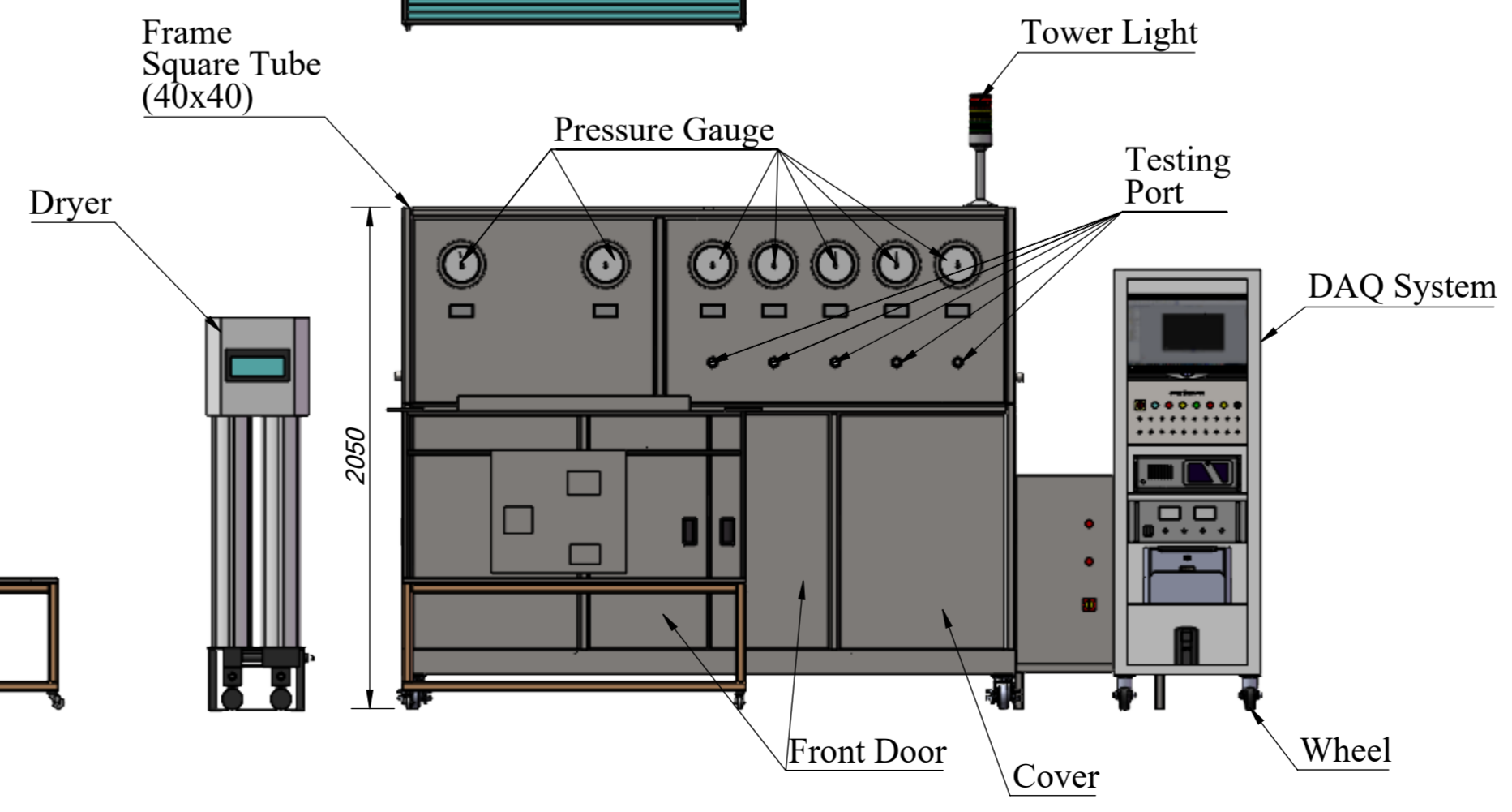
TOP VIEW



UNIT TEST PANEL



SIDE VIEW



FRONT VIEW

- NOTE:-
1. ALL DIMENSIONS ARE IN MM.
 2. MOC FOR CONTROL PANEL-SS
 3. MOC FOR INTERNAL PIPING (ALUMINIUM)
 4. MATERIAL FOR GAUGE TUBE- SS
 5. USED SQUARE TUBE (40x40 MM) MATERIAL-SS

NEOMETRIX		NEOMETRIX ENGINEERING PVT LTD E-148, SECTOR 63, NOIDA, UP-201301 Tel No.: 0120 4500800 Fax No.: 0120 4500888 E-mail: contact@neometrixgroup.com Design Dept.: design@neometrixgroup.com	
TITLE	MCB TEST BENCH FOR PANEL MOUNTED BRAKE SYSTEM		
SUB-TITLE	GA DRAWING		
SRS CODE	A3108		
CUSTOMER	SSE/ABS/DBWS, C&W WORKSHOP N.F. RAILWAY-DIBRUGARH		
END USER	SSE/ABS/DBWS, C&W WORKSHOP N.F. RAILWAY-DIBRUGARH		
TD/PO. No.	COFMOW/P-1/410070	DATED	
PROJECTION	DRWN	M.F	02/05/2023
	CHK.	S.H	02/05/2023
	APPR.	S.P.S	02/05/2023
SIZE	SCALE	SHEET No	OF
A3	NFS	01	01
NEO DWG No.			REV
T-DAP-A3108-GADWG-MTBFPMBS			03

Note:- This is tentative drawing, subject of change.