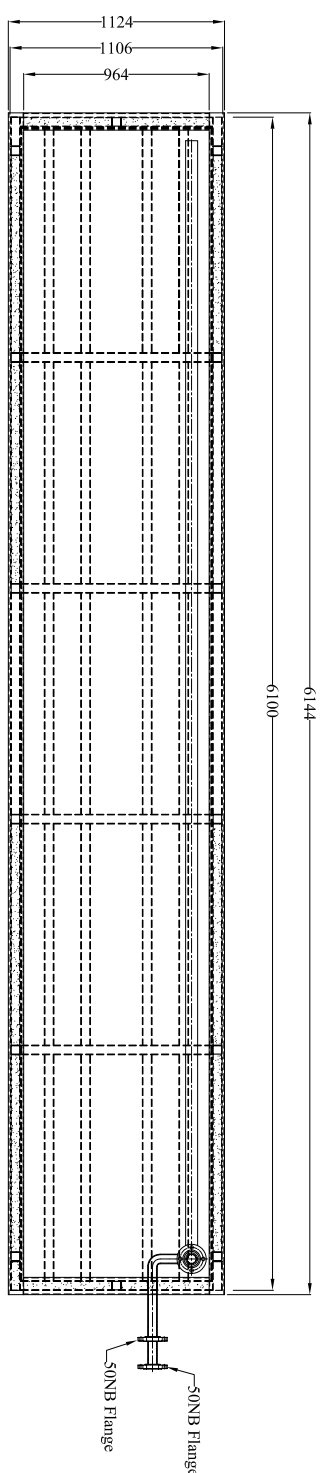
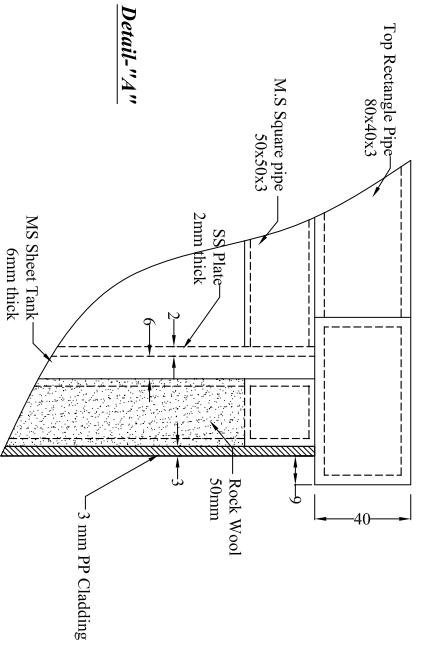
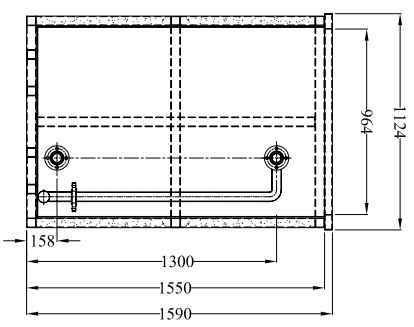
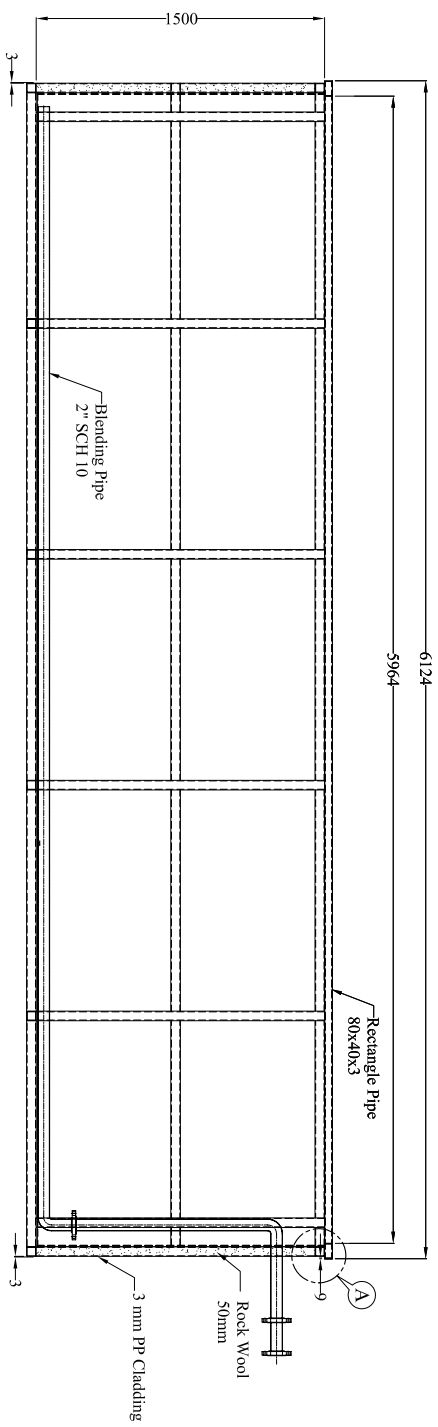


THIS DWG. IS SOLE PROPERTY OF NEOMETRIX ENGINEERING PVT. LTD.  
 UNAUTHORIZED USE OF THIS DWG. OR MAKING PRODUCT AS PER THIS DWG.  
 WITHOUT OUR PERMISSION OR ANY OTHER MISUSE IS NOT PERMITTED.



- A. Material List-**
- SS Square pipe (80x40x3) - L-6144mm -2nos.
  - SS Square pipe (80x40x3) - L-964mm -2nos.
- B. Manufacturing Process-**
- Break the weld joint of M.S pipe on the top of the tank.
  - Cut the pieces of SS pipe 6144mm in 2nos. and 964mm in 2 nos.
- C. QAP-**
- Clamp the SS pipe first then weld it.
- D. Final Inspection-**
- Check out the pipe straightness.



**Detail "A"**

**Note:-**  
 All Dimension are in mm.

**DWG-NO.-16 ROCK WOOL & PP CLADDING**

<b>NEOMETRIX</b> www.neometrixtechnology.com		NEOMETRIX ENGINEERING PVT. LTD. E-48, Sector-63, Noida, UP-201301 Tel. No.-0120-4490880 Fax No.-0120-4490888 E-Mail: neometrix@neometrix.com	
MAIN TITLE	CHEMICAL CLEANING TANK	DESIGNER	NEO.DWG.NO.
SUB-TITLE	ROCK WOOL & PP CLADDING	CHECKED BY	13/07/20
CODE	AP952	DATE	13/07/20
CUSTOMER	HSL-VISHAKA PATNAM	SCALE	1:1
END USER	HSL-VISHAKA PATNAM	SHEET	06
APPLICATION		NO. OF SHEETS	06
PROJECTION	1ST ANGLE	APPROVED BY	
DRAWN BY	SK	CHECKED BY	
CHECKED BY	SK	DATE	13/07/20
DATE	13/07/20	SCALE	1:1
SIZE	A4	NTS	
NO. OF SHEETS	06	NO. OF SHEETS	06
CUSTOMER DWG. REF. NO.		REVISION	
NOTES			