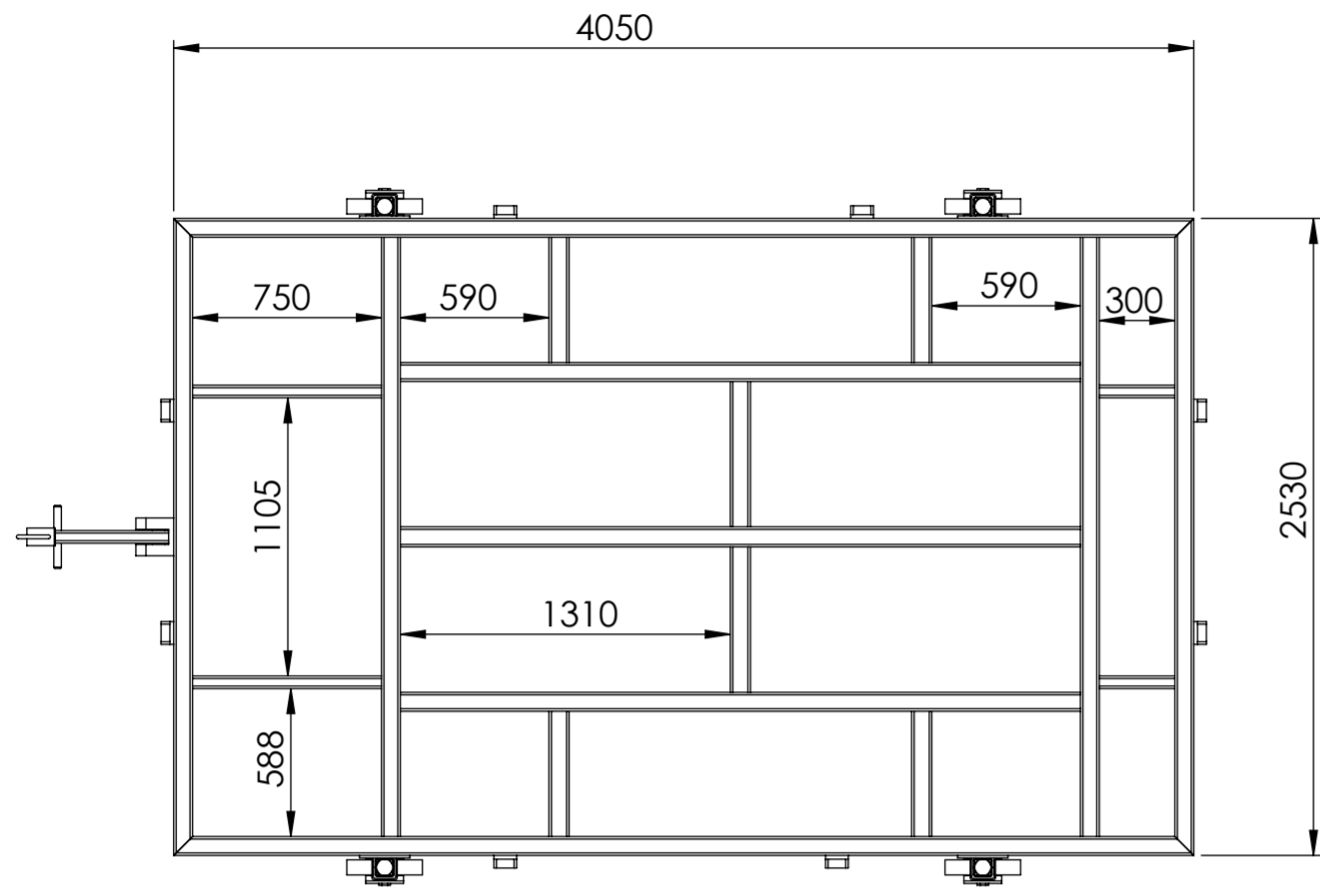
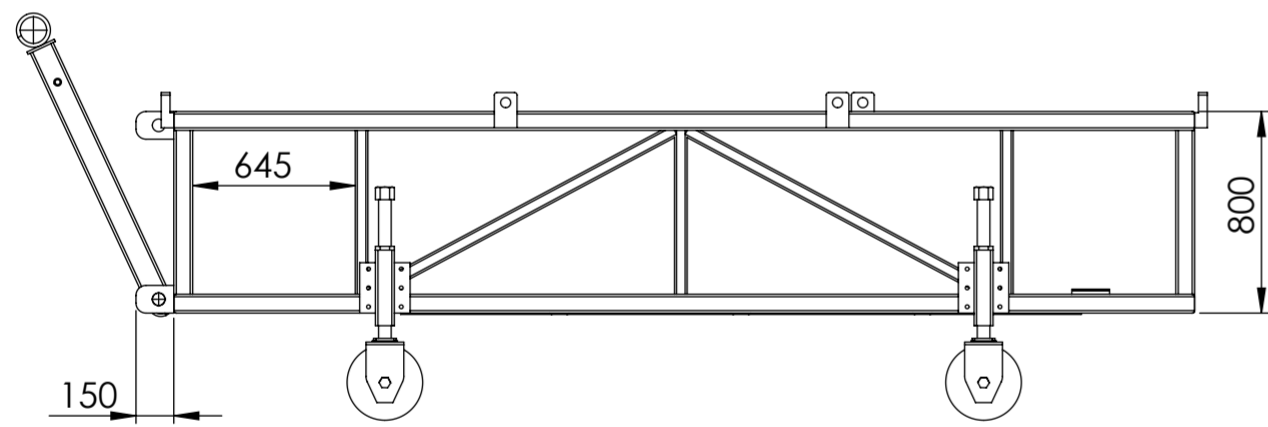


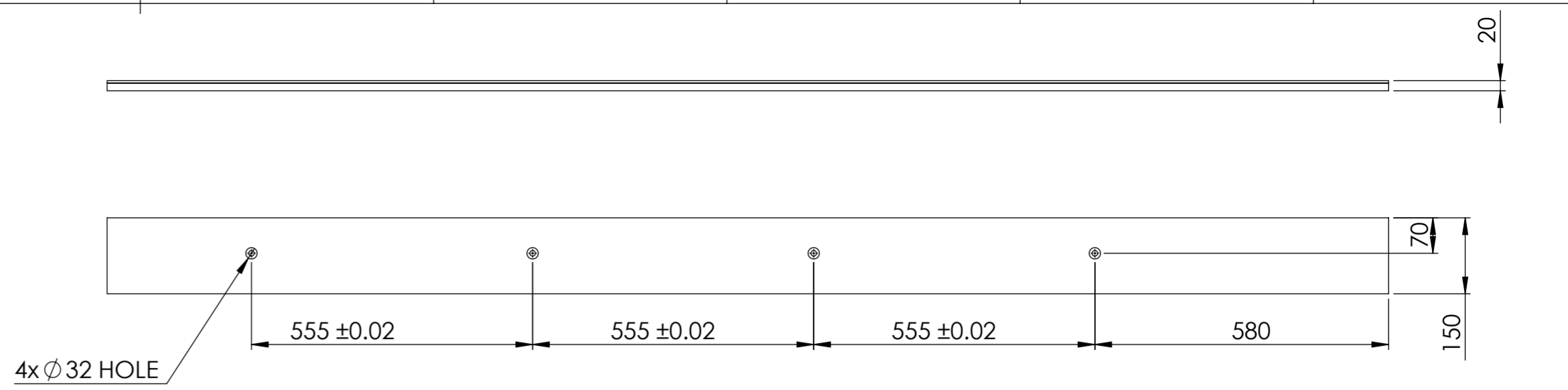
THIS DWG. IS SOLE PROPERTY OF NEOMETRIX ENGINEERING PVT. LTD. UNAUTHORISED USE OF THIS DWG. OR MAKING PRODUCT AS PER THIS DWG. WITHOUT OUR PERMISSION OR ANY OTHER MISUSE IS NOT PERMITTED.



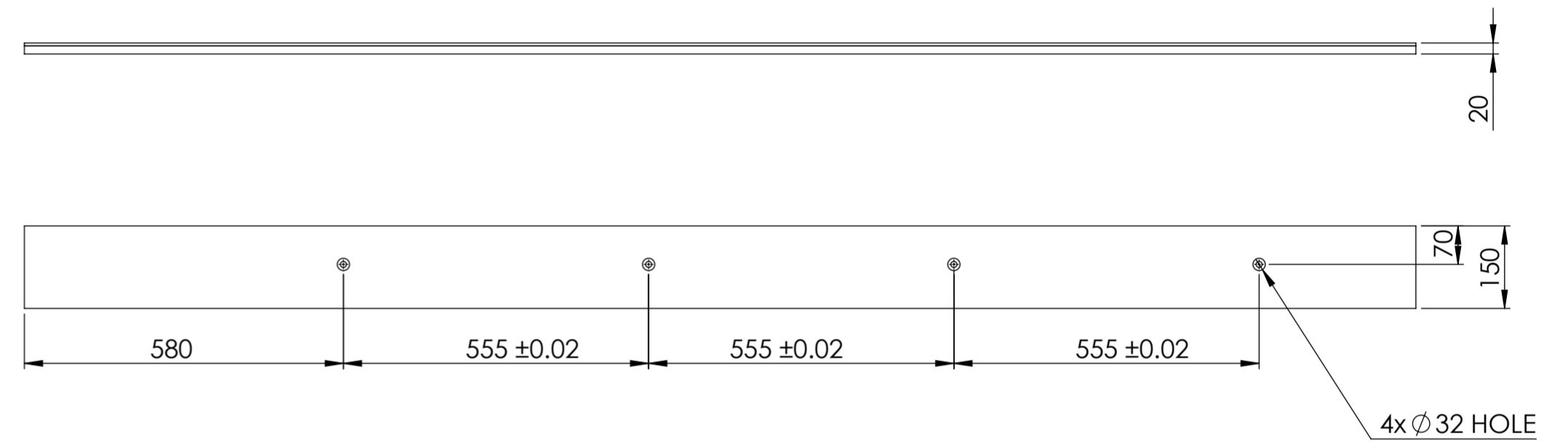
TOP VIEW



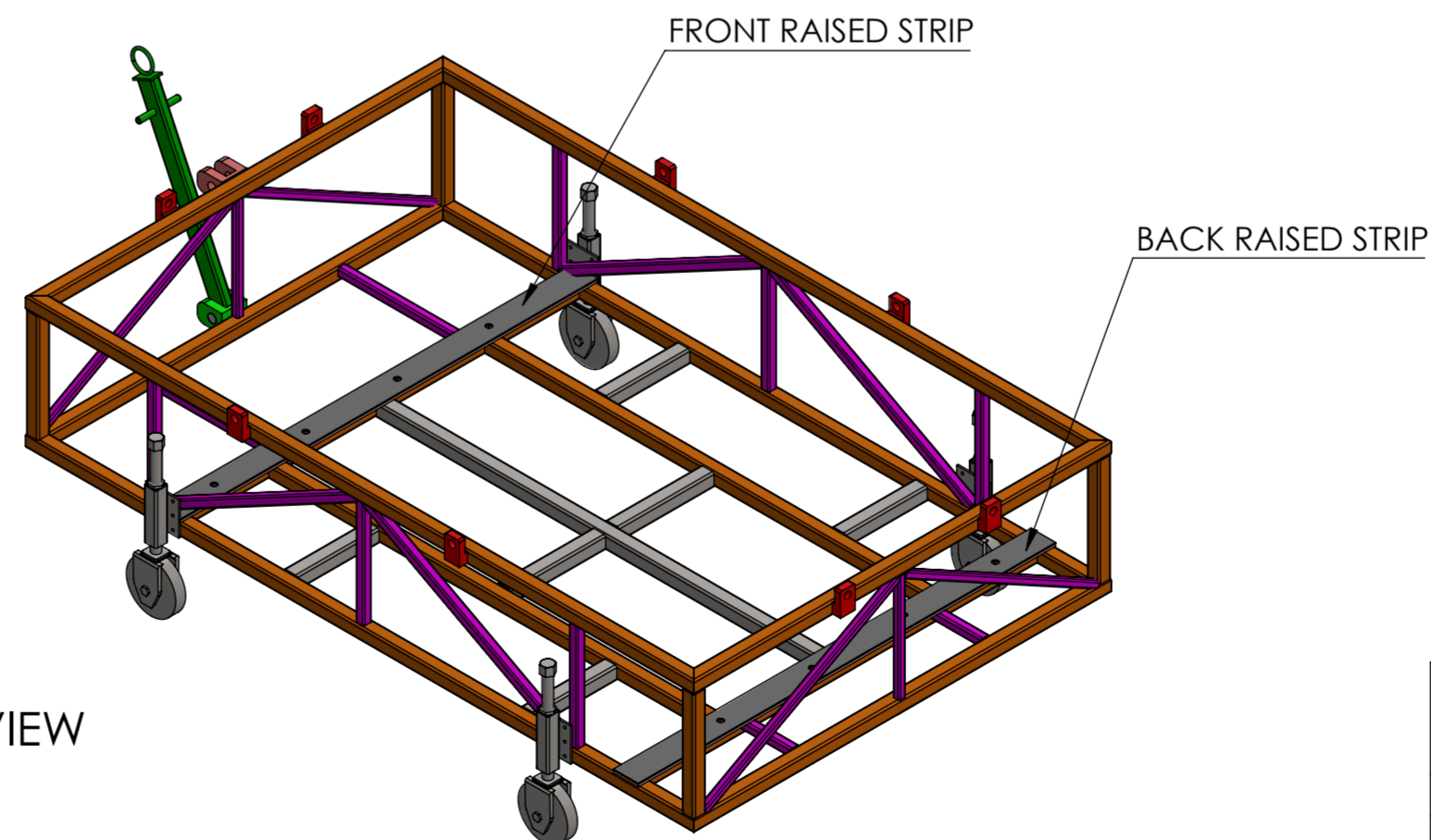
FRONT VIEW



FRONT RAISED STRIP



BACK RAISED STRIP



ISOMETRIC VIEW

- All Dimensions are in mm, Unless otherwise specified.
- Square Pipe - 60x60mm (MS)
- Square Pipe - 50x50mm (MS)
- Sharp Edges should be removed.
- Weight of frame - 470 kg. (Aprx.)

Note: TENTATIVE DRAWING, SUBJECT TO CHANGE.

**CM TRANSPORTATION TROLLEY**

<b>NEOMETRIX</b>										NEOMETRIX ENGINEERING PVT LTD E-148, SECTOR 63, NOIDA, UP-201301 Tel No.: 0120 4500800 Fax No.: 0120 4500888 E-mail: contact@neometrixgroup.com Design Dept.: design@neometrixgroup.com		
TITLE	MISSILE TRANSPORTATION CASSETTE										QA No.	
SUB-TITLE	GA DRAWING										Cross Ref Doc No.:	
SRS CODE	A3076										Customer Dwg Ref No.	
CUSTOMER	Logo 7BRD										NOTE :	
END USER	AFS											
TD/PO. No.	--										DATED	
PROJECTION	DRWN	M.F	18/11/2022	SIZE	SCALE	SHEET	NEO DWG No.		REV			
	CHK.	G.K.	18/11/2022	A3	NFS	No	01	01	T-DAP-A3076-GADWG-MTT	00		
	APPR.	S.P.S	18/11/2022									