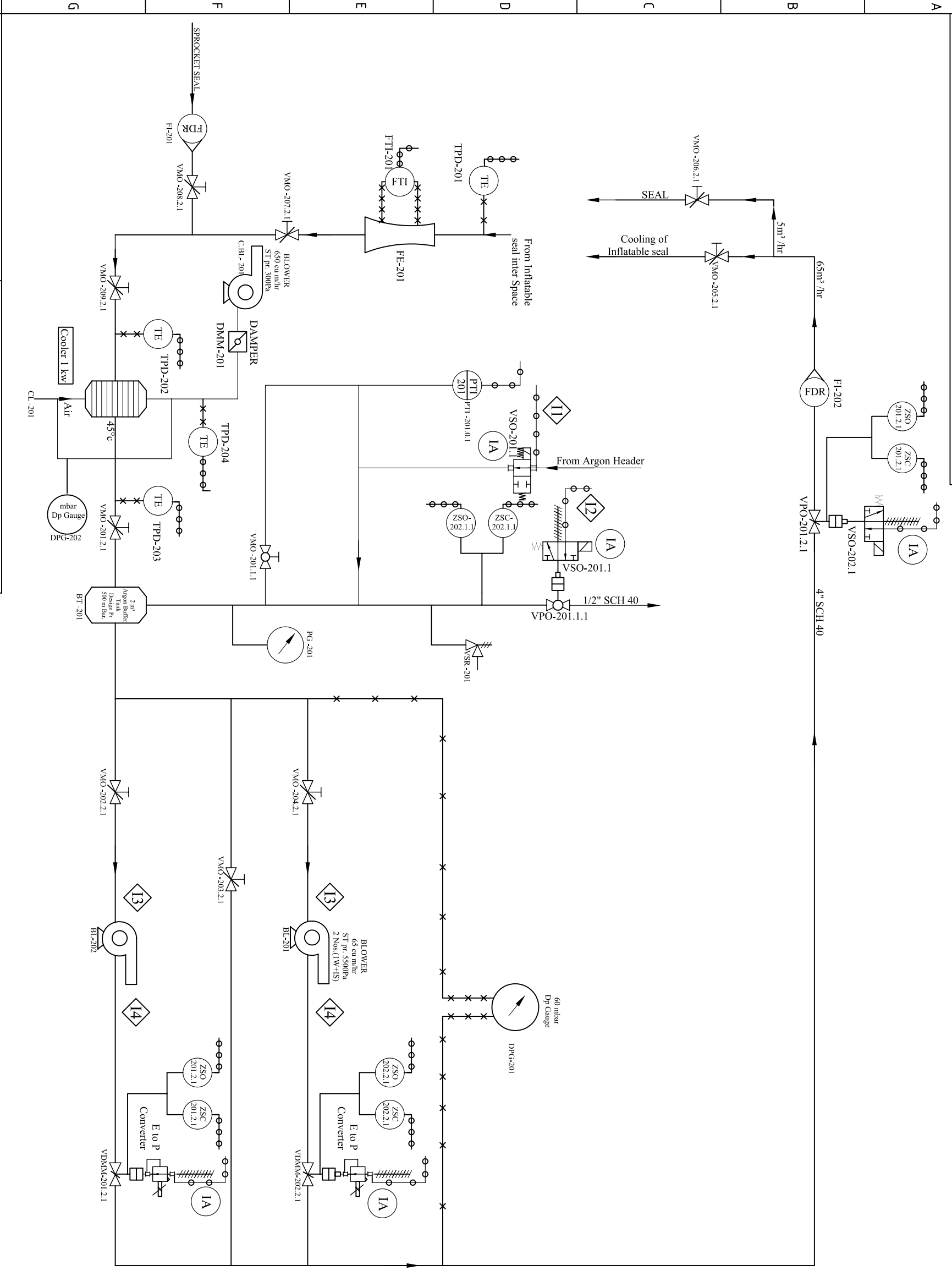
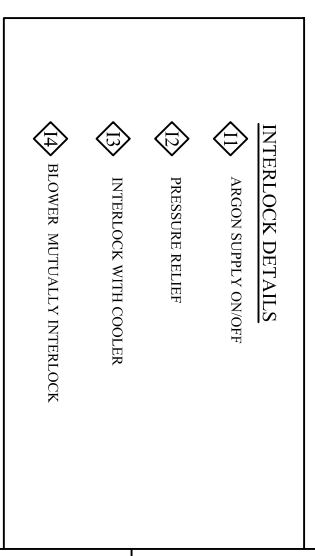


THIS DWG. IS SOLE PROPERTY OF NEOMETRIX ENGINEERING PVT. LTD.  
UNAUTHORISED USE OF THIS DWG. OR MAKING PRODUCT AS PER THIS DWG.  
WITHOUT OUR PERMISSION OR ANY OTHER MISUSE IS NOT PERMITTED.



SYMBOLS		SERVICE	
		GAS LINE	
		ELECTRICAL IMPULSE	
		INSTRUMENT CAPILLARY TUBING	
		INSTRUMENT AIR (A)	



Item	DESCRIPTION	QTY
1	VPO - Pneumatic Operated Valve - 1/2" @ 45deg	01
2	VPO - Pneumatic Operated Valve - 4" @ 45deg	01
3	VMO - Manually Operated Valve - 4" @ 45deg	09
4	VSR - Safety Valve	01
5	DMM - Manually Operated Damper	01
6	FTI - Flow Transmitter & Indicator @ 45°C	01
7	PTI - Pressure Transmitter & Indicator @ 45°C	01
8	FDR - Rota Meter @ 45°C-15	02
9	TPD - Thermo Couple	04
10	P.G - Differential Pressure Gauge	01
11	D.P.G - Differential Pressure Gauge	02
12	CL - Cooler	01
13	C.B.L - Cooler Blower	01
14	BLW - Blower	02
15	VSO - Solenoid Valve - 1/4"	02
16	VSO - Solenoid Valve - 1/2"	01
17	BT - Buffer Tank	01
18	VDDMM - Pneumatic Actuated Damper	01

<b>NEOMETRIX ENGINEERING PRIVATE LIMITED</b>	
I-48, SECTOR-6A, NOIDA-201301 (UP)	
Tel: Phone No.-0120-4450880	
Fax No.-0120-4450888	
E-Mail: <a href="mailto:info@neometrix.com">info@neometrix.com</a>	
<a href="http://www.neometrixindia.com">www.neometrixindia.com</a>	
MAIN TITLE	ARGON COOLING SYSTEM
SUB-TITLE	P&ID DIAGRAM
CODE	A0860
CUSTOMER	ICCAR
END USER	ICCAR
APPLICATION	LCTR
PRODUCTION	DR. KRISHNA
DESIGN	SANJAY
CHECKED BY	SPS
DATE	10/10/10
SIZE	A4
SCALE	NTS
SHEET NO.	01
TOTAL SHEETS	05

1	2	3	4	5	6	7	8	9	10	11	12
---	---	---	---	---	---	---	---	---	----	----	----