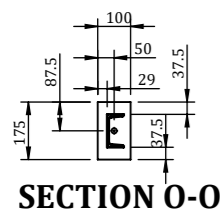
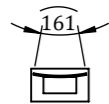


THIS DWG. IS SOLE PROPERTY OF NEOMETRIX ENGINEERING PVT. LTD.  
UNAUTHORISED USE OF THIS DWG. OR MAKING PRODUCT AS PER THIS DWG.  
WITHOUT OUR PERMISSION OR ANY OTHER MISUSE IS NOT PERMITTED.

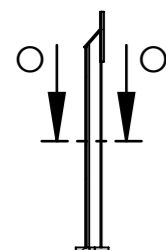
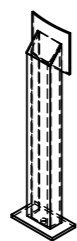


TOP VIEW

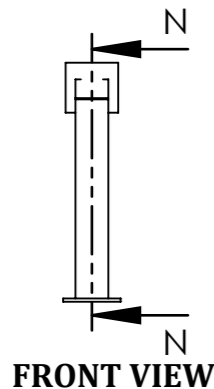
SUPPORT LEG



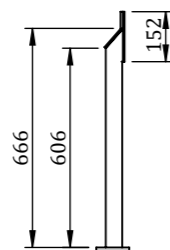
ISOMETRIC VIEW



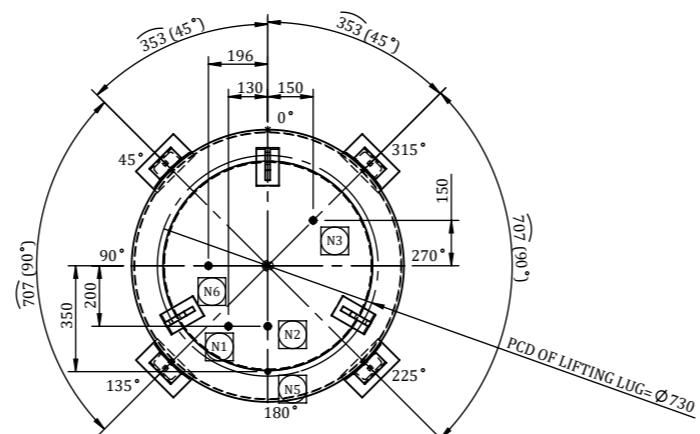
SECTION N-N



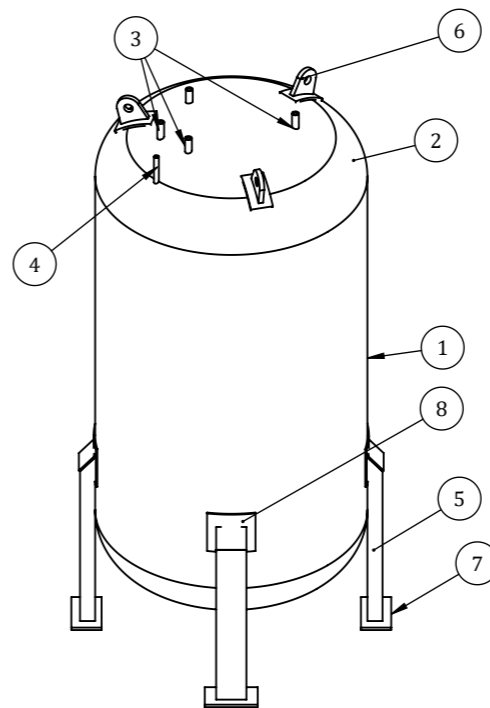
FRONT VIEW



SIDE VIEW



TOP VIEW



ISOMETRIC VIEW

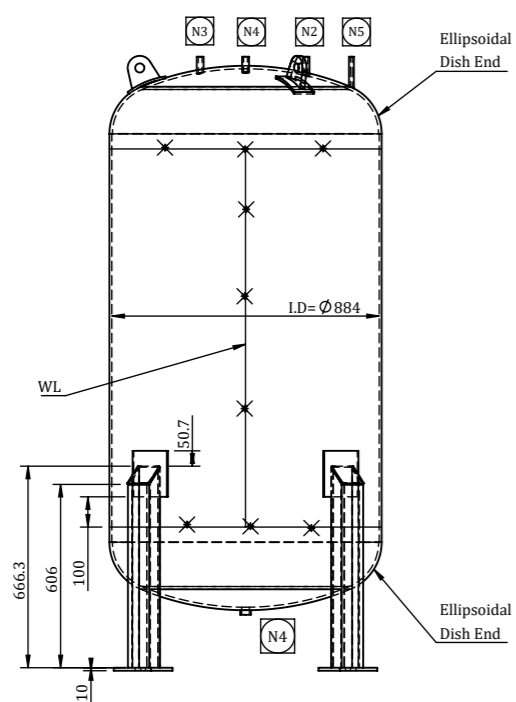
1	Shell	1	SA516GR70
2	Dish End (Ellipsoidal 2:1)	2	SA516GR70
3	Inlet, Outlet, SRV, Drain & Spare Socket	5	SA-105 (3000#)
4	PG & Switch Sockets	1	SA-105 (3000#)
5	Support Leg - (ISMC-100)	4	M.S. IS : 2062
6	Lifting Lug (16mm Thk)	3	M.S. IS : 2062
7	Support Pad Plate (6mm Thick)	4	IS:2062 E250 BR
8	Base Plate	4	M.S. IS : 2062

NOZZLE CHART

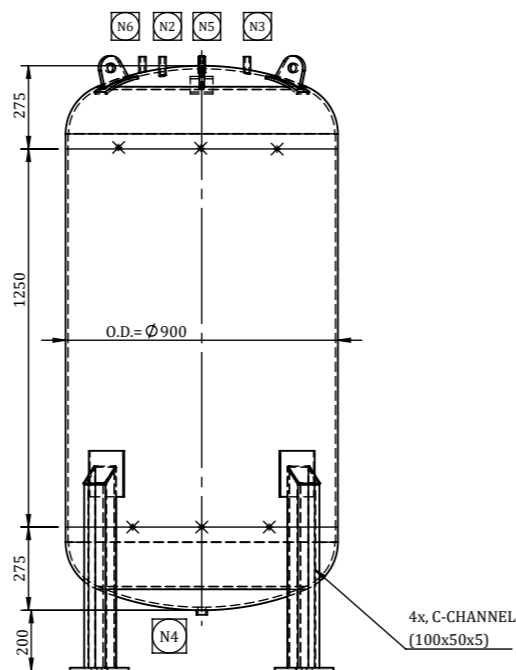
Sr. No.	Nozzle	Function	Pipe Size
1	N1	Oxygen Inlet	1/2" BSPP Female
2	N2	Oxygen Outlet	1/2" BSPP Female
3	N3	Safety Relief Valve	1/2" BSPP Female
4	N4	Drain	1" BSPP Female
5	N5	Pressure Gauge & Pressure Switch	1/4" BSPP Female
6	N6	Spare	1/2" BSPP Female

TECHNICAL DATA

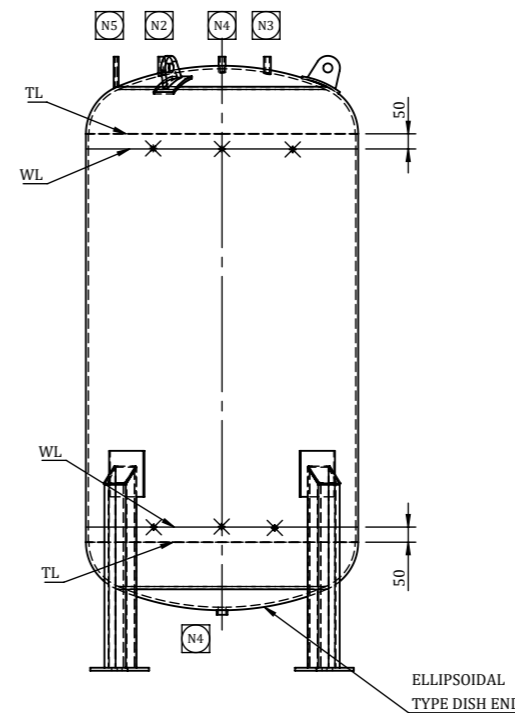
Capacity	1 m <sup>3</sup>
Quantity	1 No.
Design Code	ASME SEC-VIII DIV-1
Working Pressure	8.5 kg/cm <sup>2</sup> (g)
Design Pressure	9.3 kg/cm <sup>2</sup> (g)
Hyd. Test Pressure	14.5 kg/cm <sup>2</sup> (g)
Design Temperature	70° C
Corrosion Allowance	1.6
DPT	Yes
Radiography	Nil
Shell Wall Thickness	8 mm
Dish End Thickness	10 mm
Empty Weight	350 KG
Water Full Filled Weight	1350 KG



LEFT SIDE VIEW



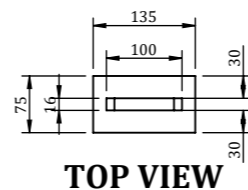
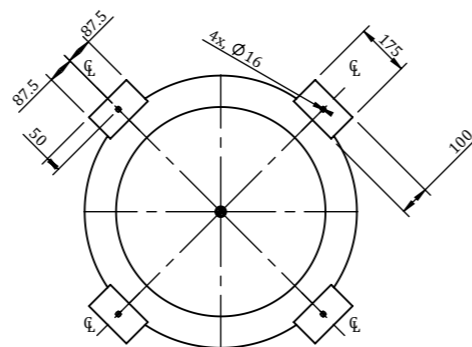
FRONT VIEW



RIGHT SIDE VIEW

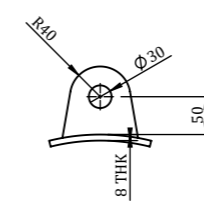
NOTE:

- Unless specified, all dimensions are in mm.
- Do not Scale the drawing.
- Drawing Conforms ASME Section VIII Division 1 Standards.
- Manufacturing as per ASME Section VIII Division 1 Standards.
- Material - SA516GR70
- All the Sockets welded must be 18 mm inserted inside the hole from outer surface.
- Only Drain Socket Welded will be inserted upto the inner surface.
- Approximate Weight for 1000 Litre Vessel = 350 kg.
- Surface Finish: Shot blasting on internal & external surfaces.
- Painting : Powder Coating on external surfaces.
- Hydrotesting & Hot air flushing for moisture removal with certification.
- Remove all burrs and sharp corners.



TOP VIEW

LIFTING LUG



FRONT VIEW

ISOMETRIC VIEW

UNSPECIFIED TOLERANCES:  
NO DECIMAL = ±1.5  
ONE DECIMAL (.x) = ±1.0  
TWO DECIMAL (.xx) = ±0.25  
THREE DECIMAL (.xxx) = ±0.13  
ANGLES = ±1°

		NEOMETRIX ENGINEERING PVT. LTD. E-148, Sector-63, Noida, UP-201301 Tel No. :- 0120-4500800   Fax No. :- 0120-4500888 Email :- www.contact@neometrixgroup.com	
MAIN TITLE	PSA NITROGEN GENERATION PLANT	DWG/Ref No.	
SUB-TITLE	NITROGEN SURGE VESSEL (1000 LITRES)	Tender No.	
CODE	A2768	Note :	
CUSTOMER	----		
END USER	----		
PROJECTION	DESIGN & DRAWN BY & DATE	M.F	04-10-2021
	CHECKED BY & DATE	S.K	04-10-2021
	APPROVED BY & DATE	S.P.S	04-10-2021
		A3	NEOMETRIX DWG. NO.
		NTS	REV - 00
			T-PED-A2768-MDWG-NSV-1000L